

# SHAPES OF LIGHT

Catalogo 2025-2027

modo

LUCE

# SHAPES OF LIGHT

Catalogo 2025-2027



Alco P. 16



Angelica P. 26



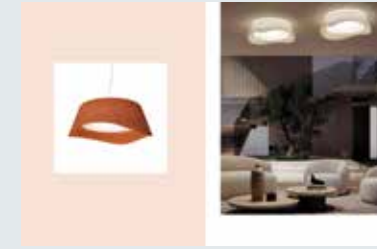
Baobab P. 36



Cocò P. 102



Cocò Demi P. 110



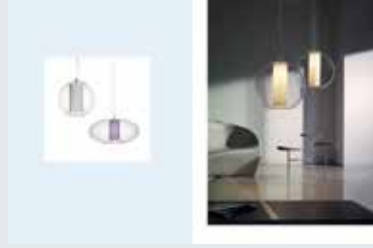
Discovolante P. 116



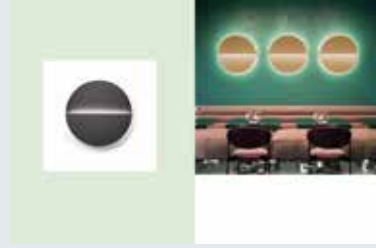
Basilica P. 42



Bolla Ellisse P. 50



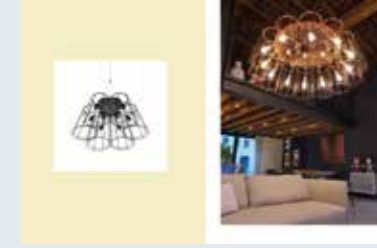
Butterfly P. 58



Florinda p. 126



Florinda Desnuda p. 134



Frisè P. 138



Campanone P. 64



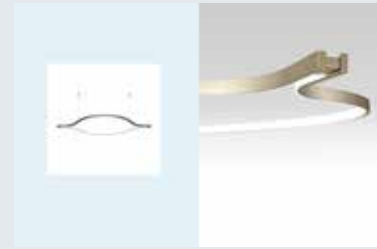
Chandelier P. 70



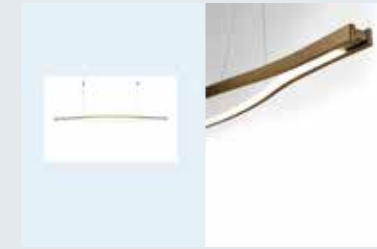
Chandelier Longue P. 76



Galileo P. 144



Galileo Longue P. 152



Geco P. 158



Cilindro P. 82



Circus P. 88



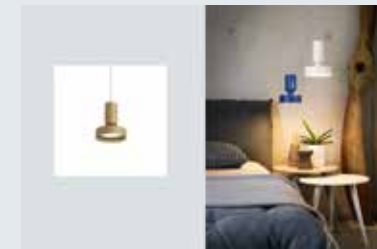
Clip P. 96



Gregory P. 164



Hammer P. 174



Hoop P. 180



Icaro P. 186



Icaro Ball P. 194



Idea P. 202



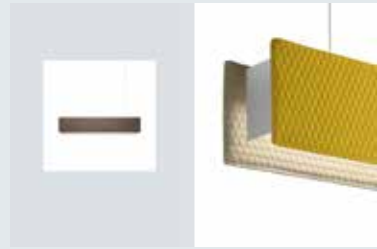
Rettangolo P. 266



Reverse P. 272



Righello P. 278



Loto P. 208



Lucilla P. 216



Milleluci P. 222



Ring P. 284



Ring Tonda P. 290



Romeo P. 296



Mood P. 228



Multiball P. 234



Nucleo P. 238



Ombrella P. 244



Orb P. 250



Peggy P. 256



# Indice Index

---

## Prodotti Products

---

<b>Alco</b>	16	<b>Hammer</b>	174
<b>Angelica</b>	26	<b>Hoop</b>	180
<b>Baobab</b>	36	<b>Icaro</b>	186
<b>Basilica</b>	42	<b>Icaro Ball</b>	194
<b>Bolla Ellisse</b>	50	<b>Idea</b>	202
<b>Butterfly</b>	58	<b>Loto</b>	208
<b>Campanone</b>	64	<b>Lucilla</b>	216
<b>Chandelier</b>	70	<b>Milleluci</b>	222
<b>Chandelier Longue</b>	76	<b>Mood</b>	228
<b>Cilindro</b>	82	<b>Multiball</b>	234
<b>Circus</b>	88	<b>Nucleo</b>	238
<b>Clip</b>	96	<b>Ombrella</b>	244
<b>Cocò</b>	102	<b>Orb</b>	250
<b>Cocò Demi</b>	110	<b>Peggy</b>	256
<b>Discovolante</b>	116	<b>Rettangolo</b>	266
<b>Florinda</b>	126	<b>Reverse</b>	272
<b>Florinda Desnuda</b>	134	<b>Righello</b>	278
<b>Frisé</b>	138	<b>Ring</b>	284
<b>Galileo</b>	144	<b>Ring Tonda</b>	290
<b>Galileo Longue</b>	152	<b>Romeo</b>	296
<b>Geco</b>	158		
<b>Gregory</b>	164		

---

## About Modo Luce

---








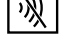
**Company Profile** 302

**Comfort acustico** 306  
Acoustic comfort

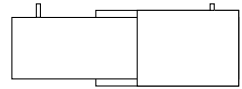
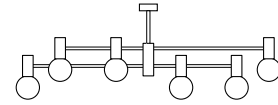
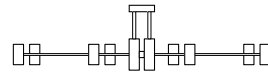
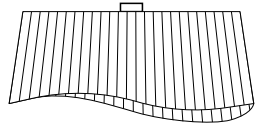
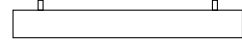
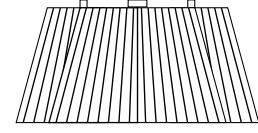
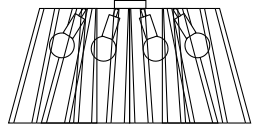
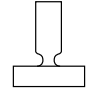
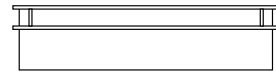


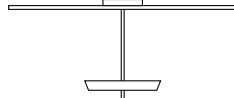
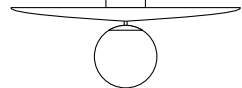
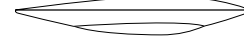
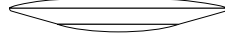
---

**Caratteristiche tecniche** 307  
Technical features

**Legenda**  
Legend

-  **SOSPENSIONE PENDANT LAMP**
-  **PLAFONIERA CEILING LAMP**
-  **PARETE WALL LAMP**
-  **TAVOLO TABLE LAMP**
-  **TERRA FLOOR LAMP**
-  **INDOOR**
-  **OUTDOOR**
-  **ACOUSTIC COMFORT**

 **PLAFONIERA**  
**CEILING LAMP**

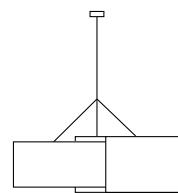
<p><b>Alco</b> P. 16</p>  <p>ACOUSTIC COMFORT</p>	<p><b>Chandelier</b> P. 70</p> 	<p><b>Chandelier Longue</b> P. 76</p> 	<p><b>Cocò Demi</b> P. 110</p> 
<p><b>Discovolante</b> P. 116</p> 	<p><b>Florinda</b> P. 126</p> 	<p><b>Florinda Desnuda</b> P. 134</p> 	<p><b>Hammer</b> P. 174</p> 
<p><b>Hoop</b> P. 180</p> 	<p><b>Idea</b> P. 202</p>  <p>ACOUSTIC COMFORT</p>	<p><b>Mood</b> P. 228</p> 	<p><b>Ombrella</b> P. 244</p> 
<p><b>Peggy</b> P. 256</p>  <p>ACOUSTIC COMFORT</p>	<p><b>Ring</b> P. 284</p> 	<p><b>Ring tonda</b> P. 290</p> 	



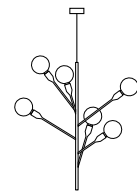
**SOSPENSIONE**  
**PENDANT LAMP**

**Alco**  
P. 16

ACOUSTIC COMFORT

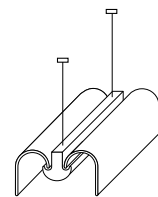


**Baobab**  
P. 36

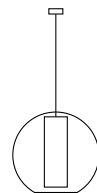


**Basilica**  
P. 42

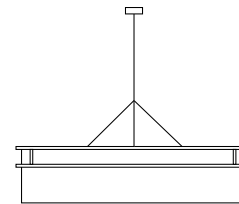
ACOUSTIC COMFORT



**Bolla Ellisse**  
P. 50

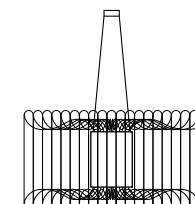


**Hoop**  
P. 180



**Icaro**  
P. 184

OUTDOOR



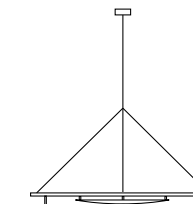
**Icaro Ball**  
P. 192

OUTDOOR



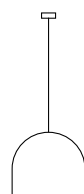
**Idea**  
P. 202

ACOUSTIC COMFORT

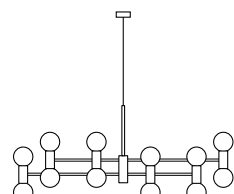


**Campanone**  
P. 64

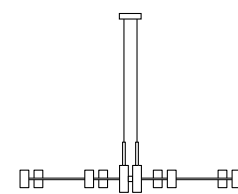
OUTDOOR



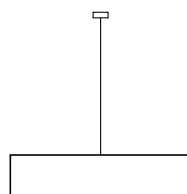
**Chandelier**  
P. 70



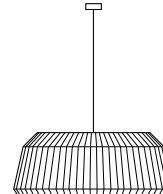
**Chandelier Longue**  
P. 76



**Cilindro**  
P. 82

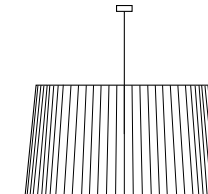


**Loto**  
P. 208

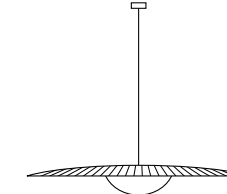


**Milleluci**  
P. 222

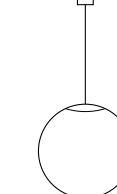
ACOUSTIC COMFORT



**Mood**  
P. 228

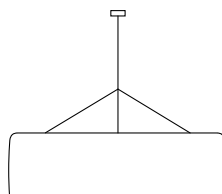


**Multiball**  
P. 234

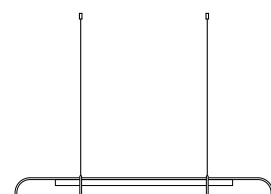


**Circus**  
P. 88

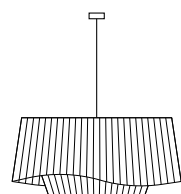
ACOUSTIC COMFORT



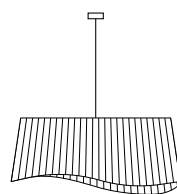
**Clip**  
P. 96



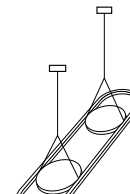
**Cocò**  
P. 102



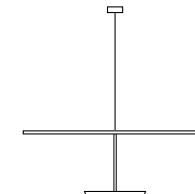
**Cocò Demi**  
P. 110



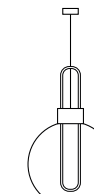
**Nucleo**  
P. 238



**Ombrella**  
P. 244

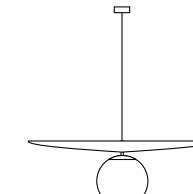


**Orb**  
P. 250

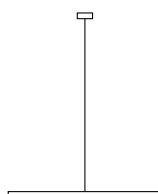


**Peggy**  
P. 256

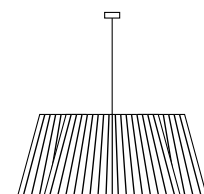
ACOUSTIC COMFORT



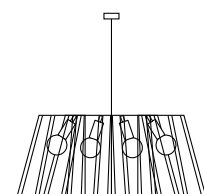
**Discovolante**  
P. 116



**Florinda**  
P. 126

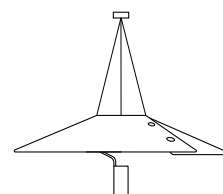


**Florinda Desnuda**  
P. 134

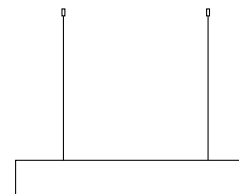


**Frisé**  
P. 138

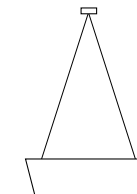
ACOUSTIC COMFORT



**Rettangolo**  
P. 266

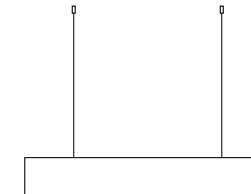


**Reverse**  
P. 272

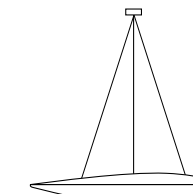


**Righello**  
P. 278

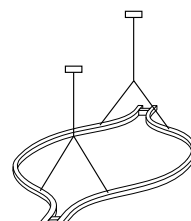
ACOUSTIC COMFORT



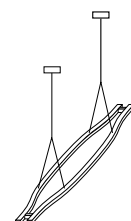
**Ring**  
P. 284



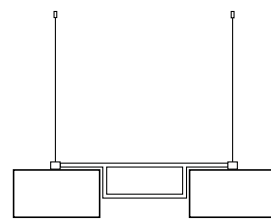
**Galileo**  
P. 144



**Galileo Longue**  
P. 152



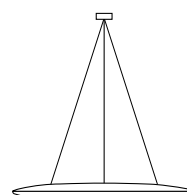
**Gregory**  
P. 164



**Hammer**  
P. 174

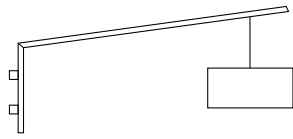


**Ring tonda**  
P. 290

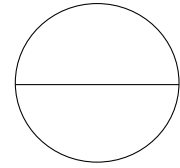


**PARETE**  
WALL LAMP

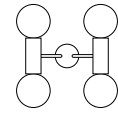
**Angelica**  
P. 26



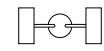
**Butterfly**  
P. 58



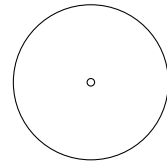
**Chandelier**  
P. 70



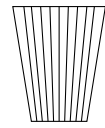
**Chandelier Longue**  
P. 76



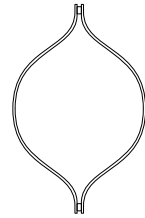
**Discovolante**  
P. 116



**Florinda**  
P. 126



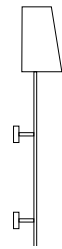
**Galileo**  
P. 144



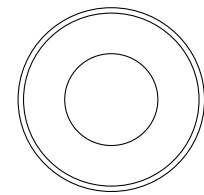
**Galileo Longue**  
P. 152



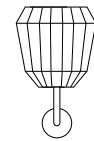
**Geco**  
P. 158



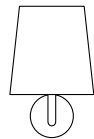
**Idea**  
P. 202



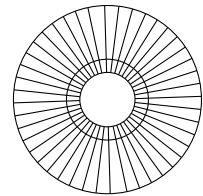
**Loto**  
P. 208



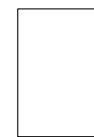
**Lucilla**  
P. 216



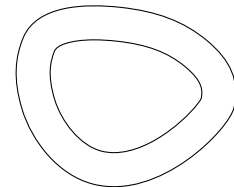
**Mood**  
P. 228



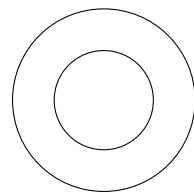
**Rettangolo**  
P. 266



**Ring**  
P. 284

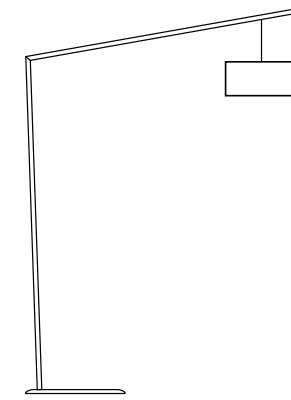


**Ring tonda**  
P. 290

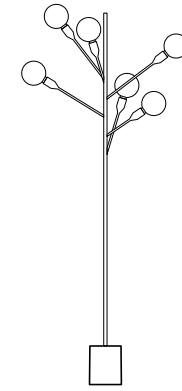


**TERRA / TAVOLO**  
FLOOR LAMP / TABLE LAMP

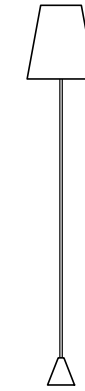
**Angelica**  
P. 26



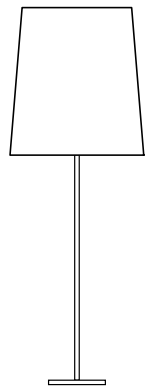
**Baobab**  
P. 36



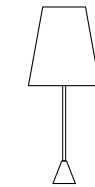
**Lucilla**  
P. 216



**Romeo**  
P. 296



**Lucilla**  
P. 216





# Prodotti

# Products

# Alco

ACOUSTIC COMFORT    

Design by Roberto Paoli – 2017



**Linee avvolgenti rivestite da un morbido tessuto cucito con funzione di comfort acustico.**

Embracing shapes upholstered in soft stitched fabric, which also provides acoustic comfort.







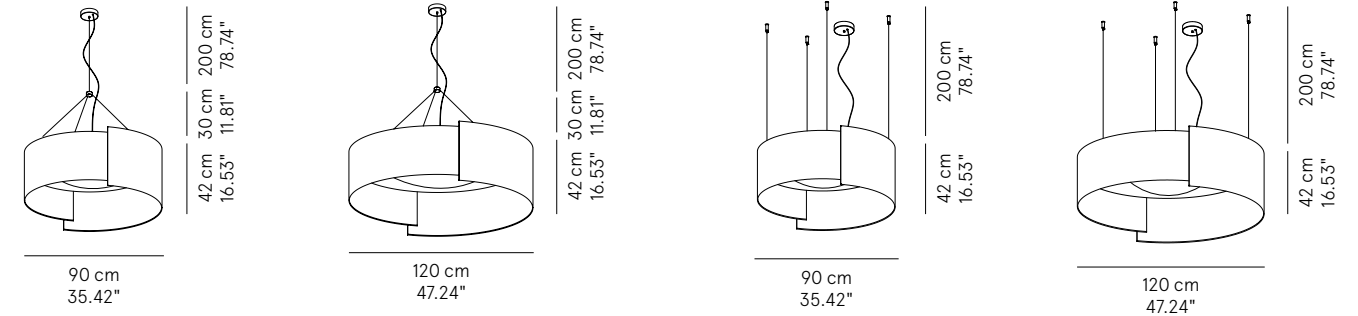
# Alco

ACOUSTIC COMFORT



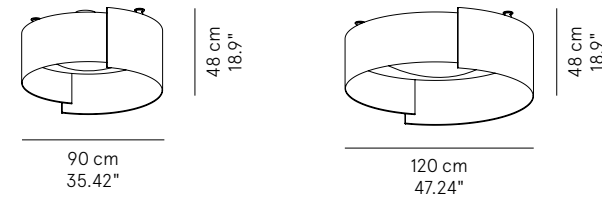
Lamp		Dimensions	Light source
Pendant lamp	Alco 90	Ø 90 x 42 cm weight 23 kg	<b>lamp type</b> 1 LED module 23 W / 57 W <b>luminous efficacy</b> 3628 Lm / 8750 Lm <b>light colour</b> 2700 K <b>DIM</b> DALI - push DIM / TRIAC
	Alco 120	Ø 120 x 42 cm weight 36 kg	<b>lamp type</b> 1 LED module 23 W / 57 W <b>luminous efficacy</b> 3628 Lm / 8750 Lm <b>light colour</b> 2700 K <b>DIM</b> DALI - push DIM / TRIAC
Ceiling lamp	Alco 90	Ø 90 x 48 cm weight 23 kg	<b>lamp type</b> 1 LED module 23 W / 57 W <b>luminous efficacy</b> 3628 Lm / 8750 Lm <b>light colour</b> 2700 K <b>DIM</b> DALI - push DIM / TRIAC
	Alco 120	Ø 120 x 48 cm weight 36 kg	<b>lamp type</b> 1 LED module 23 W / 57 W <b>luminous efficacy</b> 3628 Lm / 8750 Lm <b>light colour</b> 2700 K <b>DIM</b> DALI - push DIM / TRIAC

## Pendant lamp

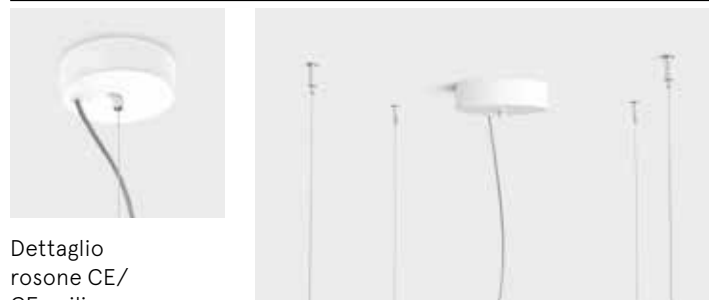


## ETL version

## Ceiling lamp



## Details



Dettaglio rosone CE/  
CE ceiling  
rose detail.

Versione ETL/  
ETL version

## Focus



Versione plafoniera/  
Ceiling lamp

## Finishes

Diffusore in tessuto,  
struttura in metallo/  
Fabric lampshade,  
metal structure

Luce diretta/  
Direct light

## Diffuser textiles



Altri colori e tessuti disponibili  
su richiesta /  
Other colors and fabrics  
available on request

## IP20



\* on demand  
\*\* cable on measure

# Angelica

Design by Paolo Grasselli + Modò Luce R&D – 2011

OUTDOOR    



**Un gioco di equilibri caratterizza la figura di Angelica, una lampada da parete o da terra che si slancia verso il punto focale.**

An interplay of balances is the feature of the Angelica wall or floor lamp, which sweeps upwards towards the focal point.









# Angelica Outdoor

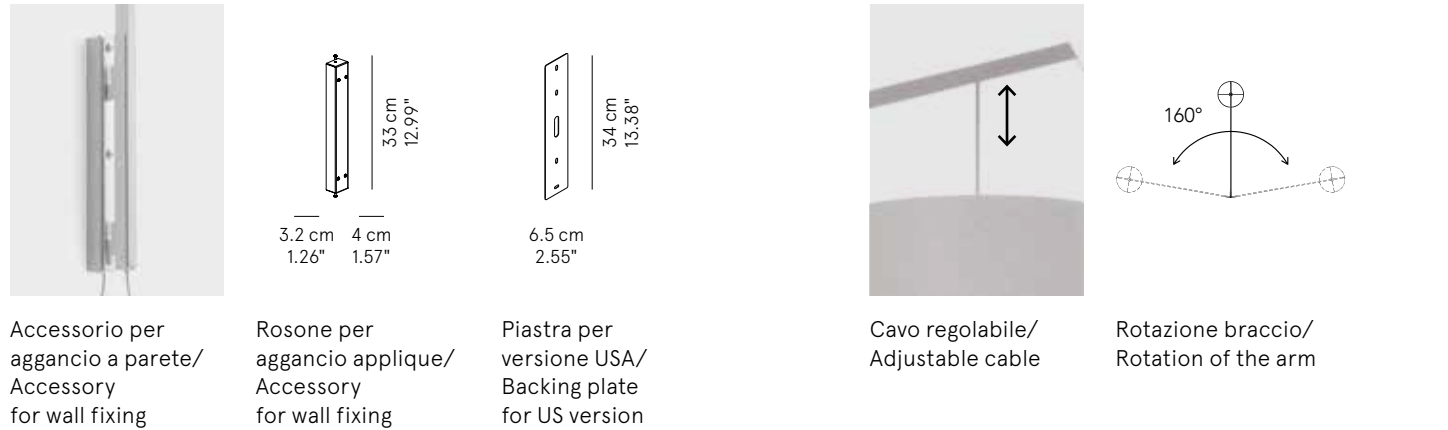


# Angelica



Lamp		Dimensions	Light source
Wall lamp	Angelica 120	Ø 45 x 120 x 80 cm weight 2,5 kg	<b>lamp type</b> 1 x E27 <b>max watt</b> 70 W HES <b>DIM</b>
	Angelica 170	Ø 45 x 170 x 90 cm weight 3 kg	<b>lamp type</b> 1 x E27 <b>max watt</b> 70 W HES <b>DIM</b>
	Angelica 200	Ø 45 x 200 x 96 cm weight 3,5 kg	<b>lamp type</b> 1 x E27 <b>max watt</b> 70 W HES <b>DIM</b>
Floor lamp	Angelica	Ø 60 x 175 ↔ 210	<b>lamp type</b> 1 x E27 <b>max watt</b> 70 W HES <b>DIM</b>
Wall lamp outdoor	Angelica 170	Ø 48 x 170 x 90 cm weight 7 kg	<b>lamp type</b> 1 x E27 <b>max watt</b> 42 W HES

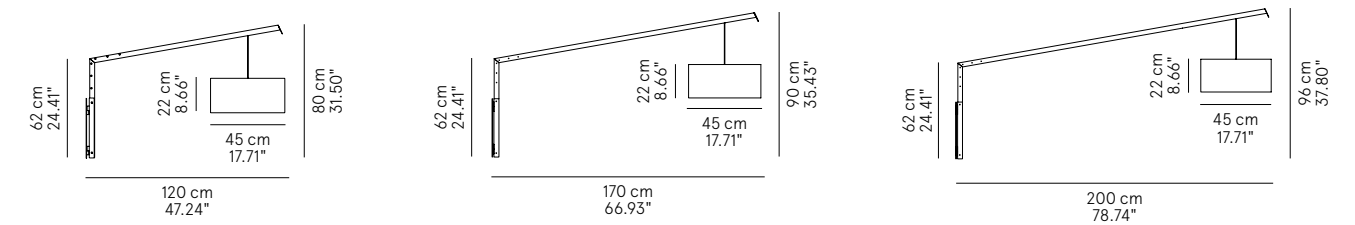
## Details indoor wall lamp



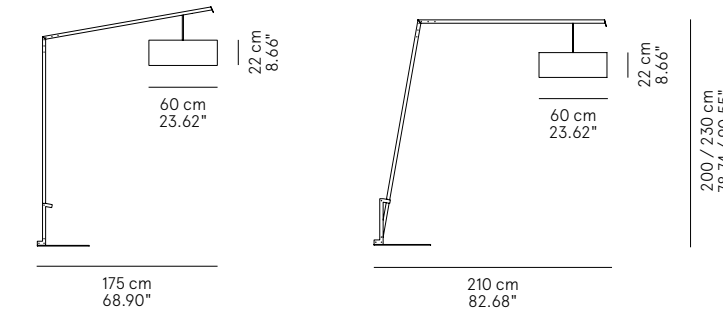
## Details outdoor wall lamp



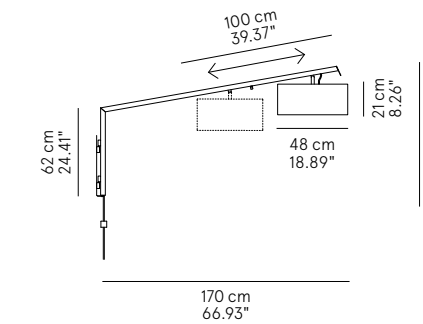
## Wall lamp indoor



## Floor lamp indoor



## Wall lamp outdoor



## Indoor Finishes

Diffusore in tessuto, struttura in metallo/  
Fabric lampshade, metal structure

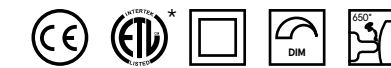
## Body colours



## Diffuser textiles



## IP20



\* on demand

## Outdoor Finishes

Diffusore in tessuto, struttura in metallo/  
Fabric lampshade, metal structure

## Body colours



## Diffuser textiles



Metalli protetti con trattamento elettrolitico e vernici a base poliestere a grande resistenza/  
Metal parts protected with electrolytic galvanizing treatment and resistant polyester coating

## IP 44-55



\* on demand

# Baobab

Design by Paolo Grasselli – 2017



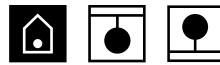
**Fatti accogliere da una foresta di luci con Baobab, un vero albero stilizzato, in metallo verniciato.**

Be welcomed by a forest of light with Baobab, a veritable stylised tree made of painted metal.



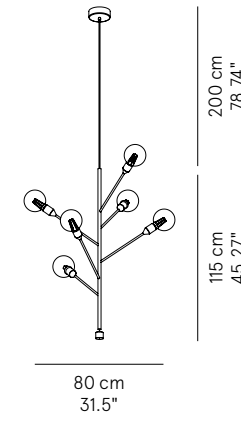


# Baobab

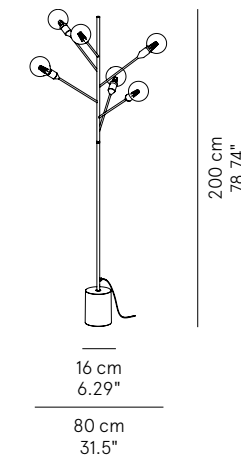


Lamp		Dimensions	Light source
Pendant lamp	Baobab 6	Ø 80 x 115 cm weight 3,5 kg	lamp type 6 x E27 max watt 6 x 42 W HES DIM
Floor lamp	Baobab 6	Ø 80 x 200 cm	lamp type 6 x E27 max watt 6 x 42 W HES DIM

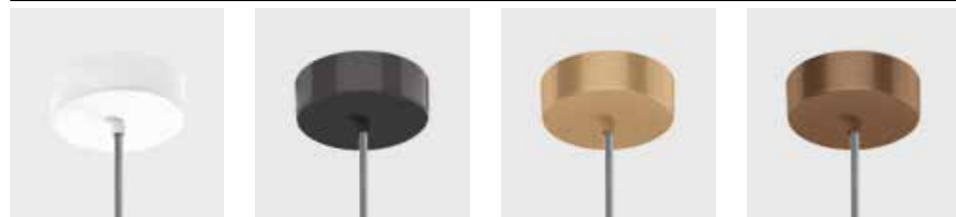
## Pendant lamp



## Floor lamp



## Details



White

Lead grey

Matt gold

Bronze

Dettaglio rosone/  
Ceiling rose detail

## Finishes

Lampada in metallo,  
contrappeso in ottone/  
Metal structure,  
counterweight  
in natural brass

## Body colours



IP20



\* on demand  
\*\* cable on measure

# Basilica

Design by Baldessari e Baldessari – 2023

ACOUSTIC COMFORT



**Una forma di luce simmetrica, le cui proporzioni richiamano i valori dell'architettura formale classica.**

A symmetrical light form whose proportions recall the values of classical formal architecture.







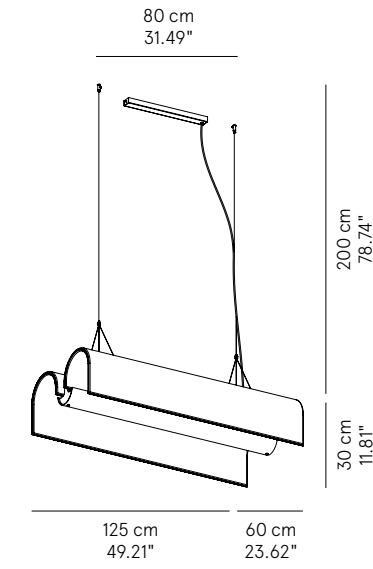
# Basilica



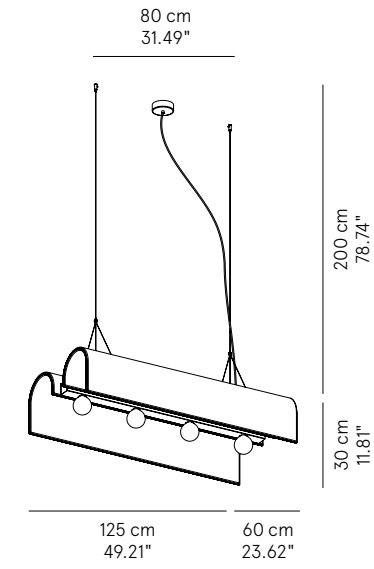
Lamp		Dimensions	Light source
Pendant lamp	Basilica 125	125 x 60 x 30 cm weight 20 Kg	<b>lamp type</b> 2 linear modules 48 W <b>luminous efficacy</b> 8070 Lm <b>light colour</b> 3000 K <b>DIM</b> DALI - push DIM <b>uplight</b> 2690 Lm <b>downlight</b> 5380 Lm
	Basilica Ball 125	125 x 60 x 30 cm weight 20 Kg	<b>lamp type</b> 4 x E27 42 W + 2 x GU10 <b>max watt</b> 42 W HES <b>DIM</b>

## Pendant lamp

### Basilica



### Basilica Ball



## Details



Dettaglio rosone Basilica/  
Basilica ceiling rose detail



Dettaglio rosone  
Basilica Ball/  
Basilica Ball ceiling  
rose detail

## Finishes

Diffusore in tessuto,  
Struttura in metallo/  
Fabric lampshade,  
metal structure

Biemissione/  
Uplight and downlight

IP20

## Body colours



Black

## Diffuser textiles



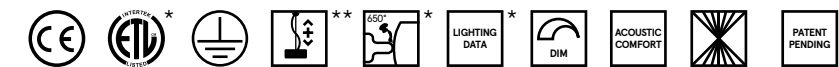
For  
Nature



Velvet



Wool



\* on demand  
\*\* cable on measure

# Bolla Ellisse



Design by Paolo Grasselli + Modo Luce R&D – 2008



**Queste lampade nascono dall'incontro tra pieno e vuoto in un continuo rincorrersi e mescolarsi di opposti che si fondono, coniugando le trasparenze dei materiali plastici ai colori intensi dei tessuti.**

These lamps come from a fusion of solids and spaces in which opposites constantly pursue and permeate one another, marrying the transparency of the plastics with the intense colours of the fabrics.







# Bolla Ellisse



Lamp		Dimensions	Light source
Pendant lamp	Bolla 40	Ø 40 x 36 cm weight 3 kg	<b>lamp type</b> 1 x E27 <b>max watt</b> 42 W HES <b>DIM</b>
	Bolla 50	Ø 50 x 46 cm weight 3,5 kg	<b>lamp type</b> 1 x E27 <b>max watt</b> 42 W HES <b>DIM</b>
	Bolla 60	Ø 60 x 56 cm weight 6 kg	<b>lamp type</b> 1 x E27 <b>max watt</b> 42 W HES <b>DIM</b>
	Ellisse 60	Ø 60 x 28 cm weight 3 kg	<b>lamp type</b> 1 x E27 <b>max watt</b> 42 W HES <b>DIM</b>
	Ellisse 80	Ø 80 x 35 cm weight 5 kg	<b>lamp type</b> 1 x E27 <b>max watt</b> 42 W HES <b>DIM</b>

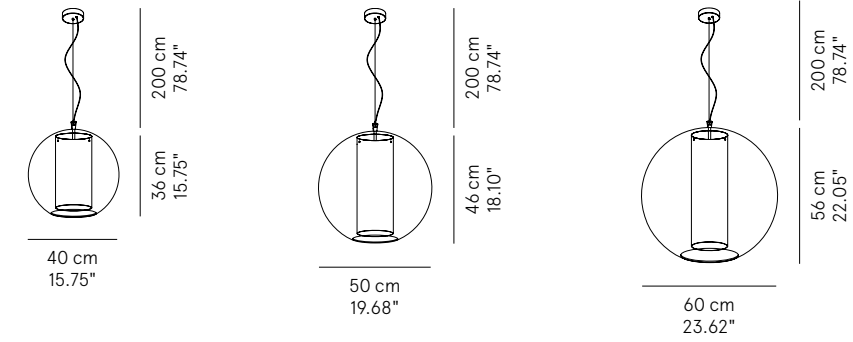
## Details



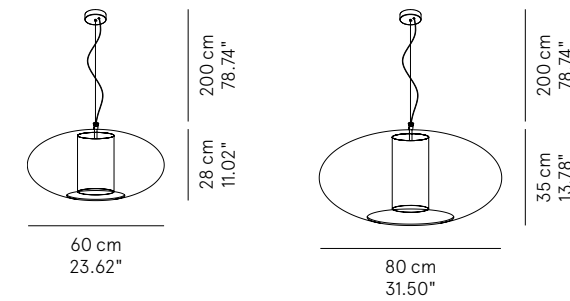
Dettaglio rosone/  
Ceiling rose detail

## Pendant lamp

### Bolla



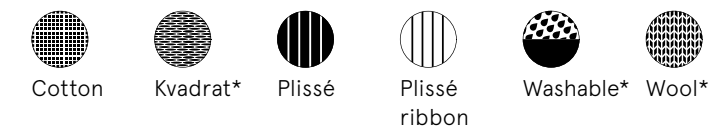
### Ellisse



## Finishes

Diffusore in PMMA  
trasparente, cilindro  
in tessuto/  
Diffuser in transparent  
PMMA, cylinder in fabric

## Cylinder textiles



\* on demand

## IP20

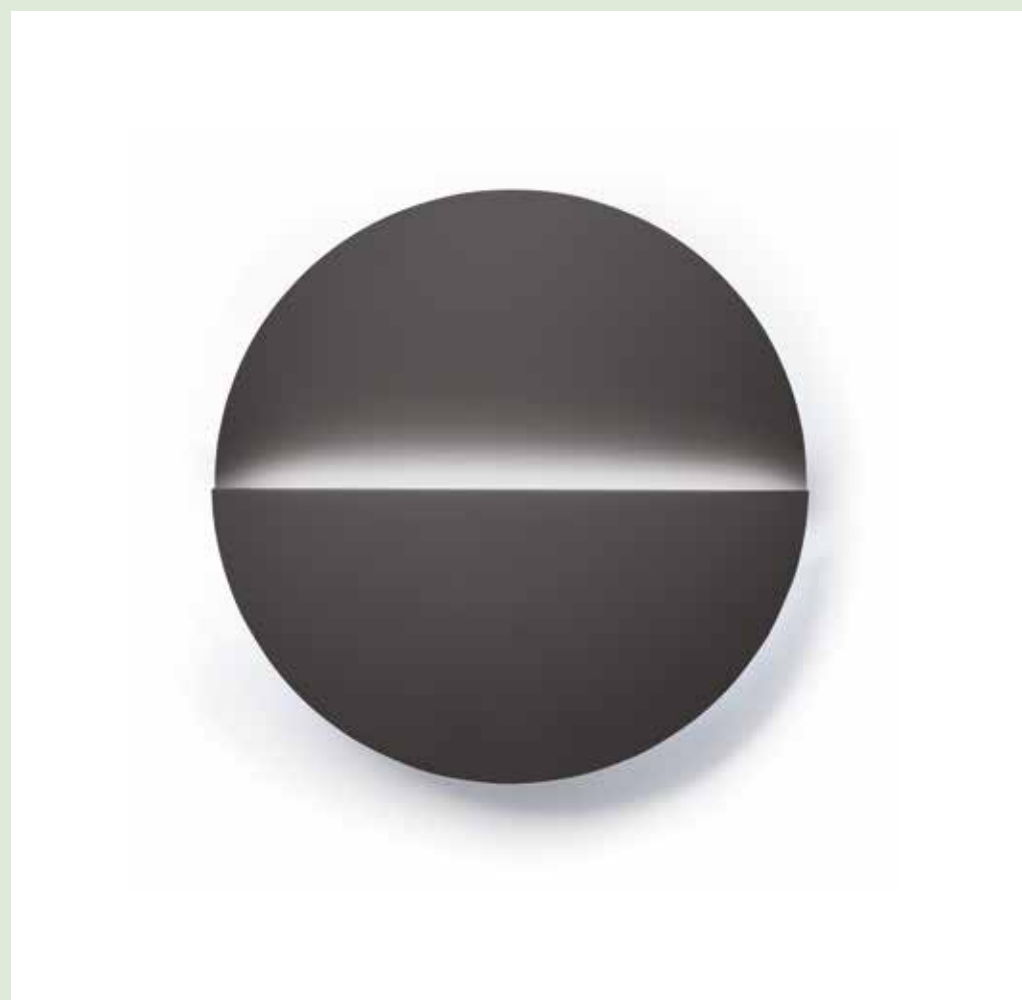


\*\* cable on measure  
\*\*\* only Bolla

# Butterfly

Design by Romano + Menegon – 2021

ACOUSTIC COMFORT



**Butterfly è un'esplosione di luce che illumina gli ambienti con uno stile vivace ma rigoroso.**

Butterfly is an explosion of light that illuminates spaces with a lively yet rigorous style.



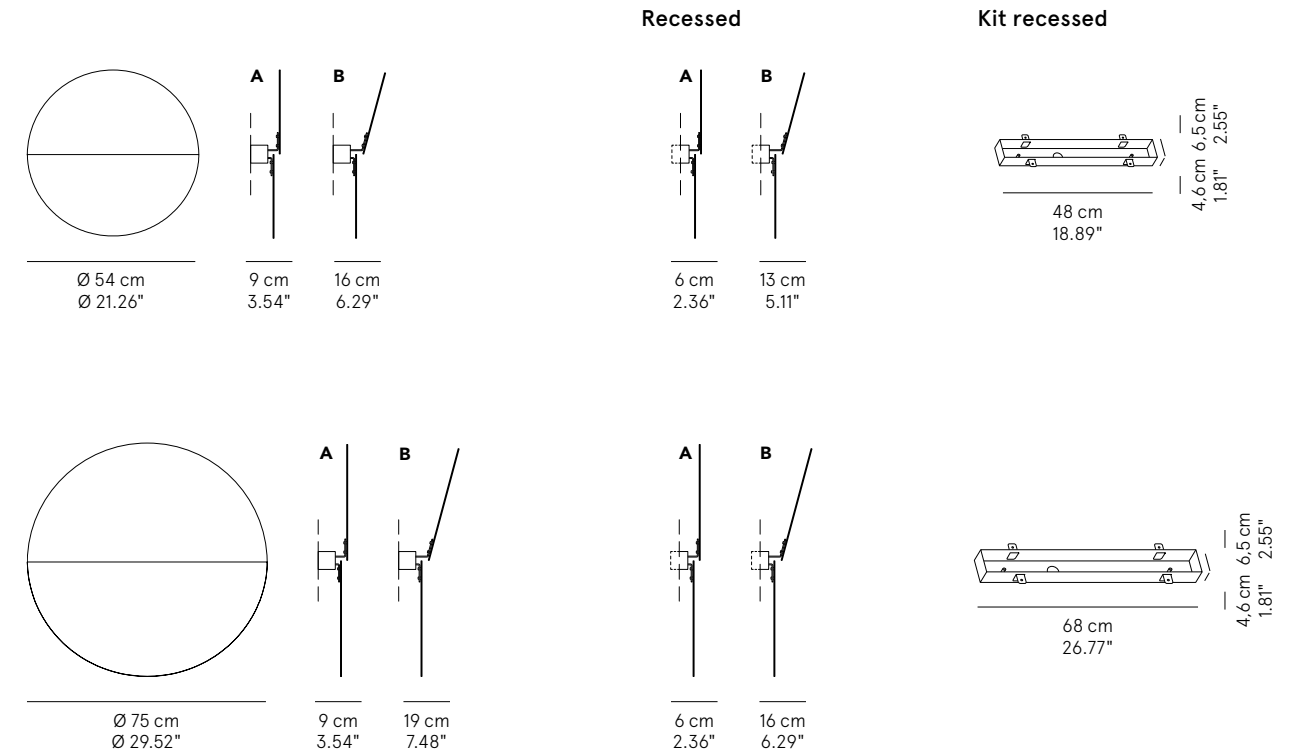


# Butterfly



Lamp		Dimensions	Light source
Wall lamp	Butterfly 54	Ø 54 x 9 cm weight 8 kg	<b>lamp type</b> linear LED modules 19,8 W <b>luminous efficacy</b> 3420 Lm <b>light colour</b> 3000 K <b>DIM</b> DALI - push DIM
	Butterfly 75	Ø 75 x 9 cm weight 10 kg	<b>lamp type</b> linear LED modules 29,8 W <b>luminous efficacy</b> 5132 Lm <b>light colour</b> 3000 K <b>DIM</b> DALI - push DIM

## Wall lamp



## Details



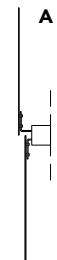
Particolare laterale/  
Side detail



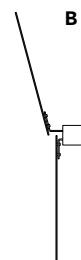
Particolare laterale  
versione incasso/  
Side detail  
recessed version



Vista laterale A/  
Side view A



Vista laterale B/  
Side view B



## Finishes

Struttura in metallo  
o tessuto in comfort acustico/  
Metal structure or acoustic comfort  
fabric diffuser

Doppia possibilità di installazione  
in fase di montaggio/  
Two possible settings upon installation

Biemissione/  
Uplight and downlight

IP20

## Body colours



## Diffuser textiles



Wool



\* on demand

# Campanone

Design by Paolo Grasselli – 2005



**Linee pulite e continue per valorizzare l'effetto luminoso diffuso.**

Clean, continuous lines enhance the soft, diffused light effect.



# Campanone Outdoor

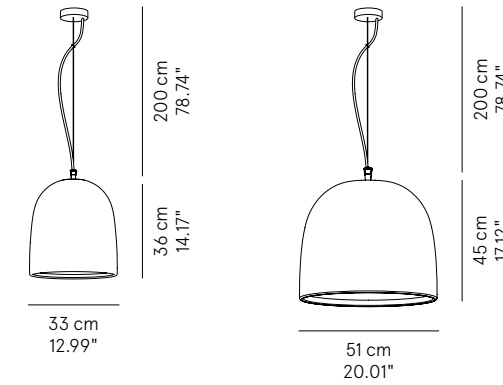


# Campanone

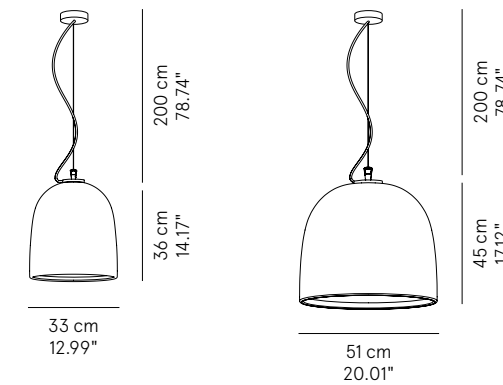


Lamp		Dimensions	Light source
Pendant lamp	Campanone 33	Ø 33 x 36 cm weight 3,5 kg	<b>lamp type</b> 1 x E27 <b>max watt</b> 42 W HES <b>DIM</b>
	Campanone 51	Ø 51 x 45 cm weight 5,5 kg	<b>lamp type</b> 1 x E27 <b>max watt</b> 70 W HES <b>DIM</b>
Pendant lamp outdoor	Campanone 33	Ø 33 x 36 cm weight 3,5 kg	<b>lamp type</b> 1 x E27 <b>max watt</b> 42 W HES <b>DIM</b>
	Campanone 51	Ø 51 x 45 cm weight 5,5 kg	<b>lamp type</b> 1 x E27 <b>max watt</b> 70 W HES <b>DIM</b>

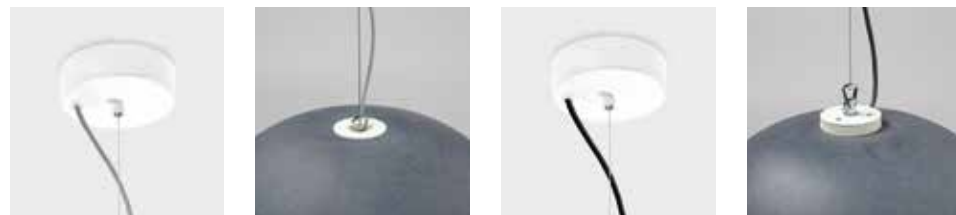
## Pendant lamp indoor



## Pendant lamp outdoor



## Details



Dettaglio rosone indoor/  
Indoor ceiling rose detail

Particolare tappo indoor/  
Indoor cap detail

Dettaglio rosone outdoor/  
Outdoor ceiling rose detail

Particolare tappo outdoor/  
Outdoor cap detail

Solo per la versione outdoor:  
metalli protetti con trattamento elettrolitico e vernici a base poliestere a grande resistenza/  
Only outdoor version: metal parts protected with electrolytic galvanizing treatment and resistant polyester coating

## Finishes

Diffusore in polietilene/  
Diffuser in polyethylene

## Diffuser colours



Altri colori disponibili su richiesta per quantitativi minimi di 10 pezzi/  
Other colours available on request with a minimum order of 10 pieces

## IP31 Indoor version



\* on demand  
\*\* cable on measure

## IP44-65 Outdoor version



\* on demand  
\*\* cable on measure

# Chandelier



Design by Paolo Grasselli – 2019



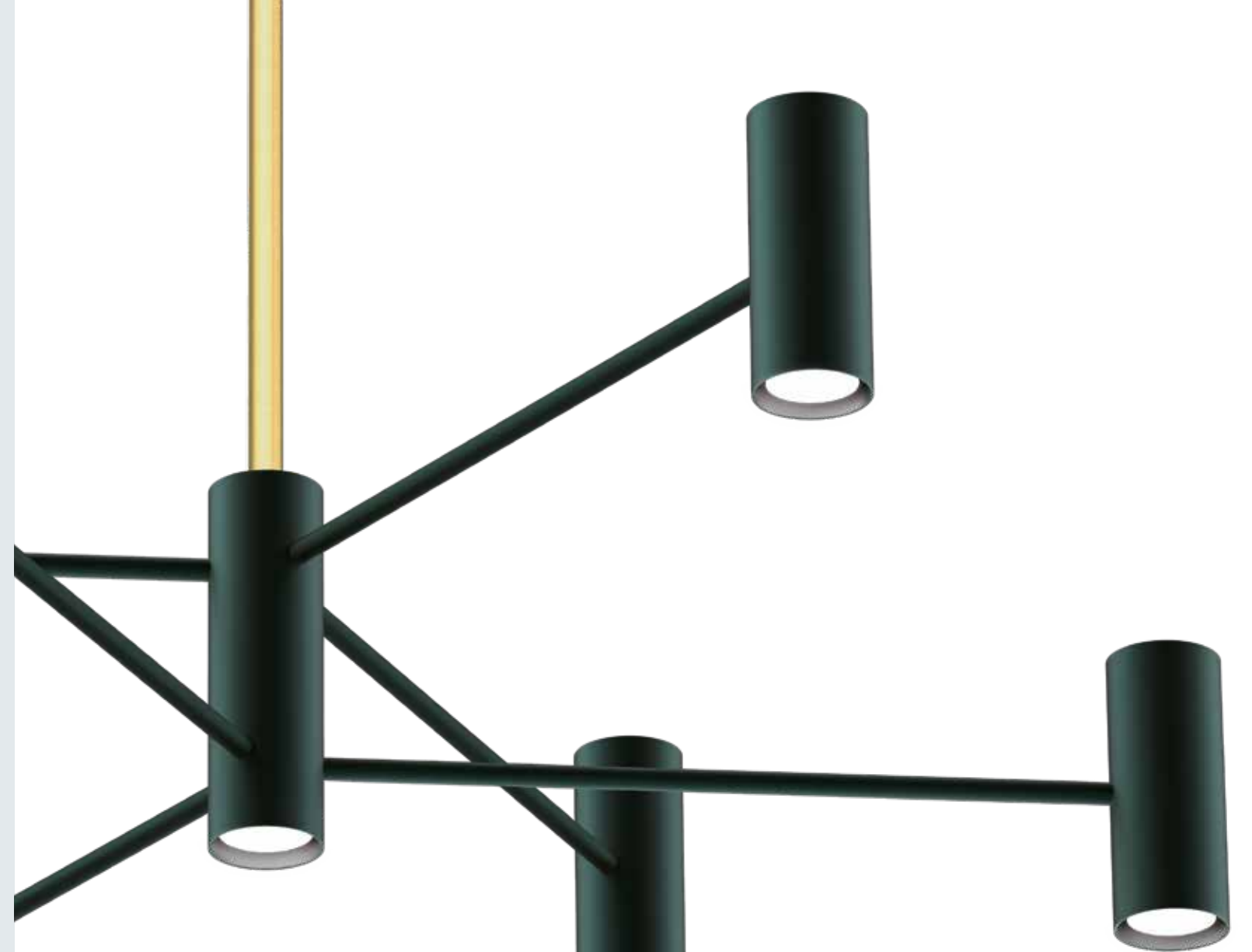
**In equilibrio tra passato e presente, Chandelier interpreta in chiave contemporanea le suggestioni del lampadario a bracci della tradizione veneziana.**

Balanced between past and present, Chandelier gives a contemporary reinterpretation of traditional Venetian chandeliers.

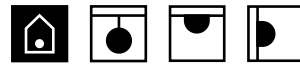




CHANDELIER

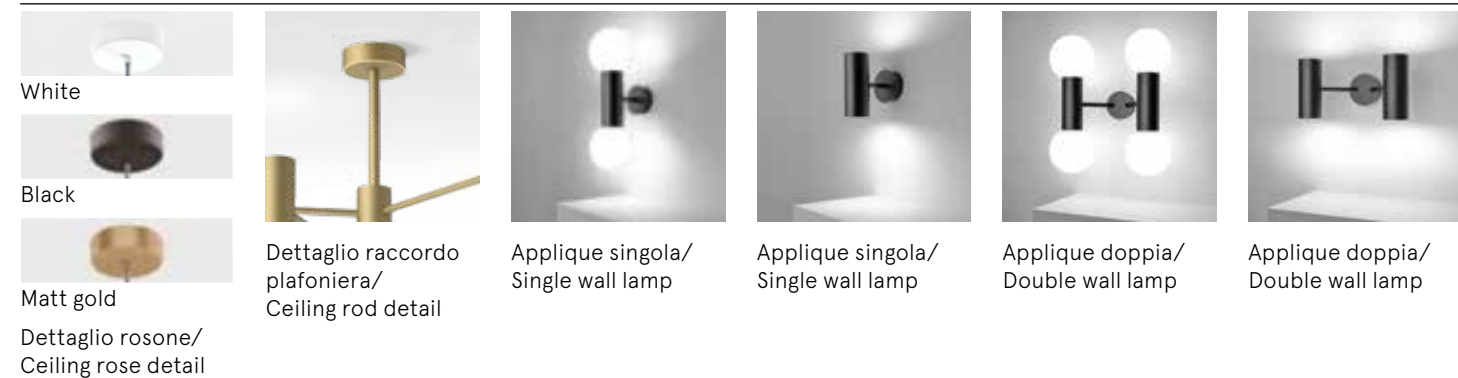


# Chandelier

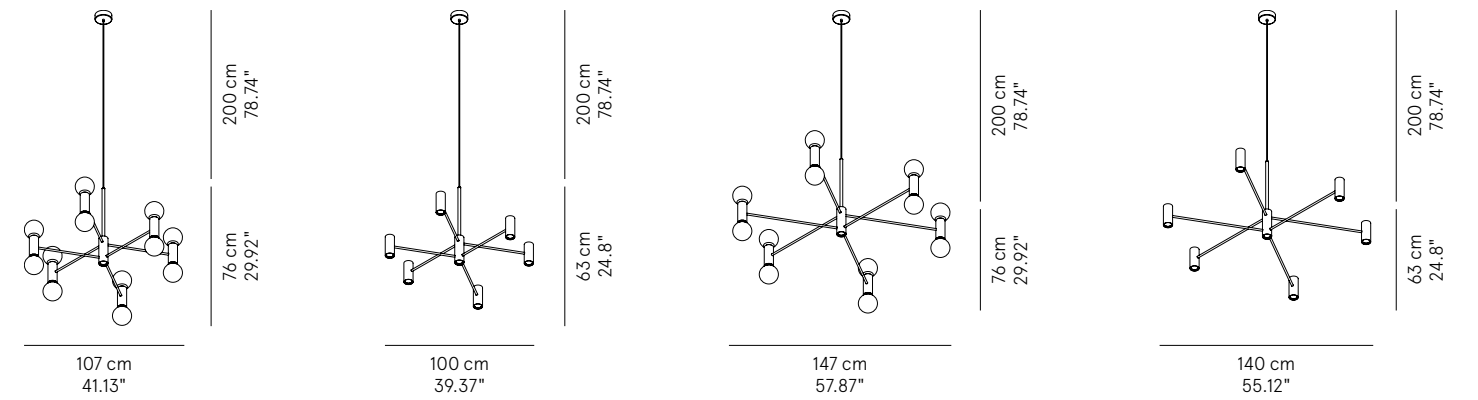


Lamp		Dimensions	Light source
Pendant lamp	Chandelier 100	Ø 107 x 76 cm weight 10 kg	<b>lamp type</b> 12 x E27 + 1 x GU10 <b>max watt</b> 12 x 42 W + 1 x 28 W HES <b>DIM</b>
		Ø 100 x 63 cm weight 10 kg	<b>lamp type</b> 13 x GU10 <b>max watt</b> 13 x 28 W HES <b>DIM</b>
	Chandelier 140	Ø 147 x 76 cm weight 12 kg	<b>lamp type</b> 12 x E27 + 1 x GU10 <b>max watt</b> 12 x 42 W + 1 x 28 W HES <b>DIM</b>
		Ø 140 x 63 cm weight 12 kg	<b>lamp type</b> 13 x GU10 <b>max watt</b> 13 x 28 W HES <b>DIM</b>
Ceiling lamp	Chandelier 100	Ø 107 x 62 cm weight 10 kg	<b>lamp type</b> 6 x E27 + 7 x GU10 <b>max watt</b> 6 x 42 W + 7 x 28 W HES <b>DIM</b>
		Ø 100 x 49 cm weight 10 kg	<b>lamp type</b> 13 x GU10 <b>max watt</b> 13 x 28 W HES <b>DIM</b>
	Chandelier 140	Ø 147 x 62 cm weight 12 kg	<b>lamp type</b> 6 x E27 + 7 x GU10 <b>max watt</b> 6 x 42 W + 7 x 28 W HES <b>DIM</b>
		Ø 140 x 49 cm weight 12 kg	<b>lamp type</b> 13 x GU10 <b>max watt</b> 13 x 28 W HES <b>DIM</b>
Wall lamp	Chandelier	13 x 20 x 39 cm weight 1 kg	<b>lamp type</b> 2 x E27 <b>max watt</b> 2 x 42 W HES <b>DIM</b>
		8 x 17 x 20 cm weight 1 kg	<b>lamp type</b> 2 x GU10 <b>max watt</b> 2 x 28 W HES <b>DIM</b>
		35 x 20 x 39 cm weight 2 kg	<b>lamp type</b> 4 x E27 <b>max watt</b> 4 x 42 W HES <b>DIM</b>
		29 x 17 x 20 cm weight 2 kg	<b>lamp type</b> 4 x GU10 <b>max watt</b> 4 x 28 W HES <b>DIM</b>

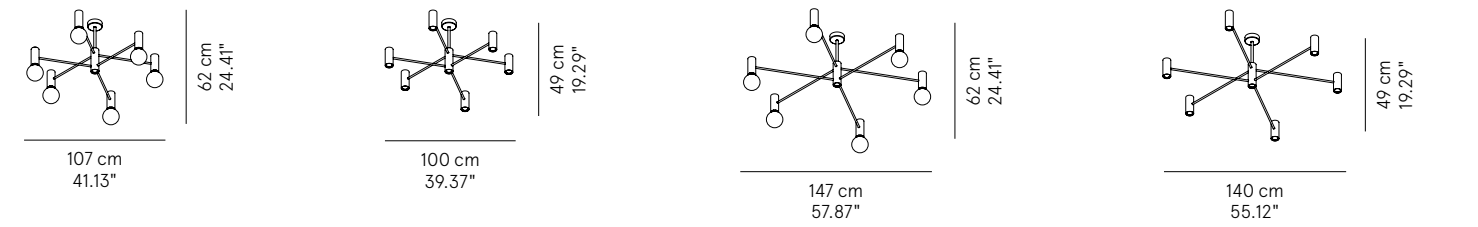
## Details



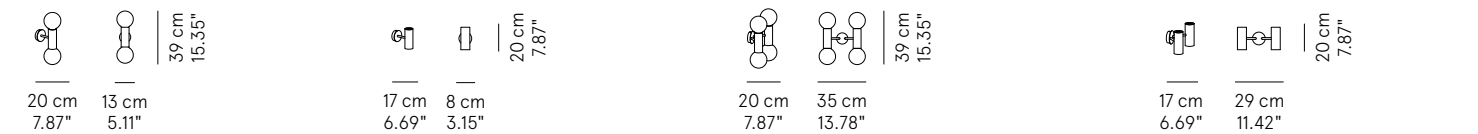
## Pendant lamp



## Ceiling lamp



## Wall lamp

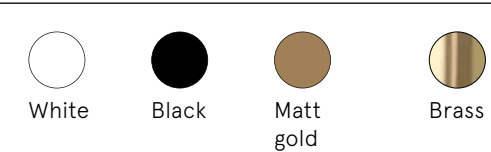


## Finishes

Lampada in metallo/  
Metal structure

Biemissione/  
Uplight and downlight

## Body colours



## Central rod (optional)

IP20



\* on demand  
\*\* cable on measure

# Chandelier Longue



Design by Paolo Grasselli – 2019



**Le forme slanciate di Chandelier Longue riflettono l'eleganza dei tipici lampadari della tradizione, secondo uno stile contemporaneo.**

The sleek shapes of Chandelier Longue reflect the elegance of classic, traditional chandeliers, but revamped in a contemporary style.



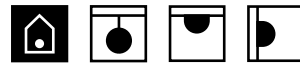




CHANDELIER LONGUE



# Chandelier Longue



Lamp		Dimensions	Light source
Pendant lamp	Chandelier Longue 100	110 x 55 x 50 cm weight 12 kg	<b>lamp type</b> 16 x E27 + 2 x GU10 <b>max watt</b> 16 x 42 W + 2 x 28 W HES <b>DIM</b>
		105 x 48 x 40 cm weight 12 kg	<b>lamp type</b> 18 x GU10 <b>max watt</b> 18 x 28 W HES <b>DIM</b>
	Chandelier Longue 150	150 x 70 x 50 cm weight 14 kg	<b>lamp type</b> 16 x E27 + 2 x GU10 <b>max watt</b> 16 x 42 W + 2 x 28 W HES <b>DIM</b>
		140 x 65 x 40 cm weight 14 kg	<b>lamp type</b> 18 x GU10 <b>max watt</b> 18 x 28 W HES <b>DIM</b>
Ceiling lamp	Chandelier Longue 100	110 x 55 x 54 cm weight 12 kg	<b>lamp type</b> 8 x E27 + 10 x GU10 <b>max watt</b> 8 x 42 W + 10 x 28 W HES <b>DIM</b>
		105 x 48 x 44 cm weight 12 kg	<b>lamp type</b> 18 x GU10 <b>max watt</b> 18 x 28 W HES <b>DIM</b>
	Chandelier Longue 150	150 x 70 x 54 cm weight 14 kg	<b>lamp type</b> 8 x E27 + 10 x GU10 <b>max watt</b> 8 x 42 W + 10 x 28 W HES <b>DIM</b>
		140 x 65 x 44 cm weight 14 kg	<b>lamp type</b> 18 x GU10 <b>max watt</b> 18 x 28 W HES <b>DIM</b>
Wall lamp	Chandelier Longue	13 x 20 x 39 cm weight 1 kg	<b>lamp type</b> 2 x E27 <b>max watt</b> 2 x 42 W HES <b>DIM</b>
		8 x 17 x 20 cm weight 1 kg	<b>lamp type</b> 2 x GU10 <b>max watt</b> 2 x 28 W HES <b>DIM</b>
		35 x 20 x 39 cm weight 2 kg	<b>lamp type</b> 4 x E27 <b>max watt</b> 4 x 42 W HES <b>DIM</b>
		29 x 17 x 20 cm weight 2 kg	<b>lamp type</b> 4 x GU10 <b>max watt</b> 4 x 28 W HES <b>DIM</b>

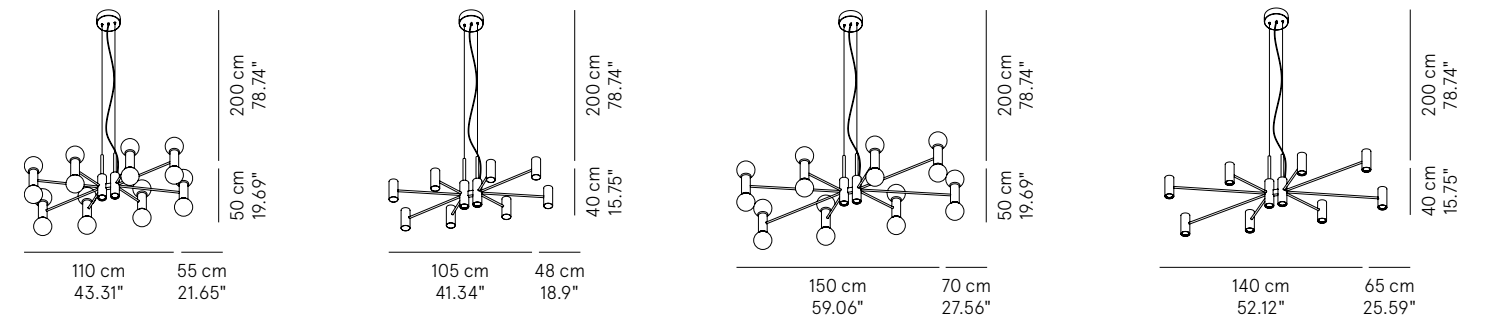
## Details



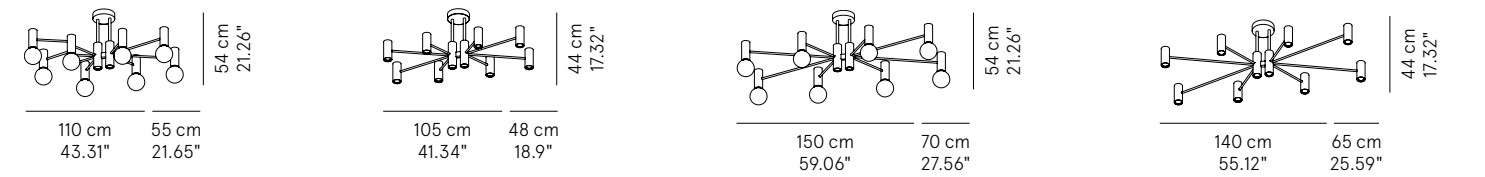
White  
Black  
Matt gold  
Applique singola/ Single wall lamp  
Applique singola/ Single wall lamp  
Applique doppia/ Double wall lamp  
Applique doppia/ Double wall lamp

Dettaglio rosone/  
Ceiling rose detail

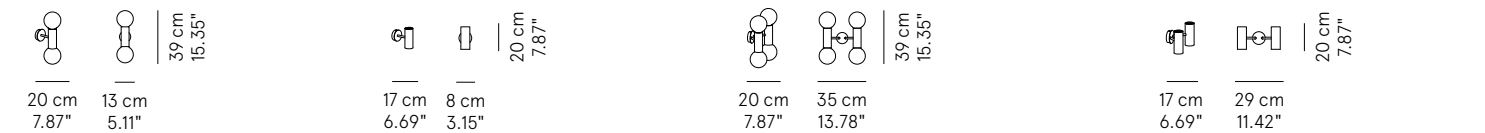
## Pendant lamp



## Ceiling lamp



## Wall lamp



## Finishes

Lampada in metallo/  
Metal structure  
Biemissione/  
Uplight and downlight

## Body colours



## Central rod (optional)

IP20



\* on demand  
\*\* cable on measure

# Cilindro

Design by ModoLuce R&D – 2002



Lampada nata per illuminare gli ambienti con il suo stile classico ma sempre attuale.

A lamp created to illuminate environments with a classic yet always up-to-date style.





# Cilindro



Lamp	Dimensions	Light source
Pendant lamp Cilindro 60	Ø 60 x 20 cm weight 2,2 kg	<b>lamp type</b> 1 x E27 / 3 x E27 <b>max watt</b> 70 W HES / 3 x 70 W HES <b>DIM</b>
	Ø 60 x 20 cm weight 2,2 kg	<b>lamp type</b> 1 LED module 23 W <b>luminous efficacy</b> 3628 Lm <b>light colour</b> 2700 K <b>DIM</b> DALI - push DIM / TRIAC
Cilindro 70	Ø 70 x 32 cm weight 3,5 kg	<b>lamp type</b> 1 x E27 / 3 x E27 <b>max watt</b> 70 W HES / 3 x 70 W HES <b>DIM</b>
	Ø 70 x 32 cm weight 3,5 kg	<b>lamp type</b> 1 LED module 23 W <b>luminous efficacy</b> 3628 Lm <b>light colour</b> 2700 K <b>DIM</b> DALI - push DIM / TRIAC
Cilindro 100	Ø 100 x 30 cm weight 7 kg	<b>lamp type</b> 4 x E27 <b>max watt</b> 4 x 105 W HES <b>DIM</b>
	Ø 100 x 30 cm weight 7 kg	<b>lamp type</b> 1 LED module 23 W / 57 W <b>luminous efficacy</b> 3628 Lm / 8750 Lm <b>light colour</b> 2700 K <b>DIM</b> DALI - push DIM / TRIAC
Cilindro 120	Ø 120 x 30 cm weight 14 kg	<b>lamp type</b> 4 x E27 <b>max watt</b> 4 x 105 W HES <b>DIM</b>
	Ø 120 x 30 cm weight 14 kg	<b>lamp type</b> 1 LED module 23 W / 57 W / 88,2 W <b>luminous efficacy</b> 3628 Lm / 8750 Lm / 12380 Lm <b>light colour</b> 2700 K <b>DIM</b> DALI - push DIM / TRIAC
Cilindro 150	Ø 150 x 30 cm weight 20 kg	<b>lamp type</b> 6 x E27 <b>max watt</b> 6 x 105 W HES <b>DIM</b>
	Ø 150 x 30 cm weight 20 kg	<b>lamp type</b> 1 LED module 88,2 W <b>luminous efficacy</b> 12380 Lm <b>light colour</b> 2700 K <b>DIM</b> DALI - push DIM
Cilindro Lost 25	Ø 25 x 130 cm weight 5 Kg	<b>lamp type</b> 1 x E27 / 6 x E27 <b>max watt</b> 1 x 105 W HES / 6 x 28 W HES <b>DIM</b>

## Details



Dettaglio rosone  
Ø 25, 60, 70, 100, 120/  
Ø 25, 60, 70, 100, 120  
ceiling rose detail

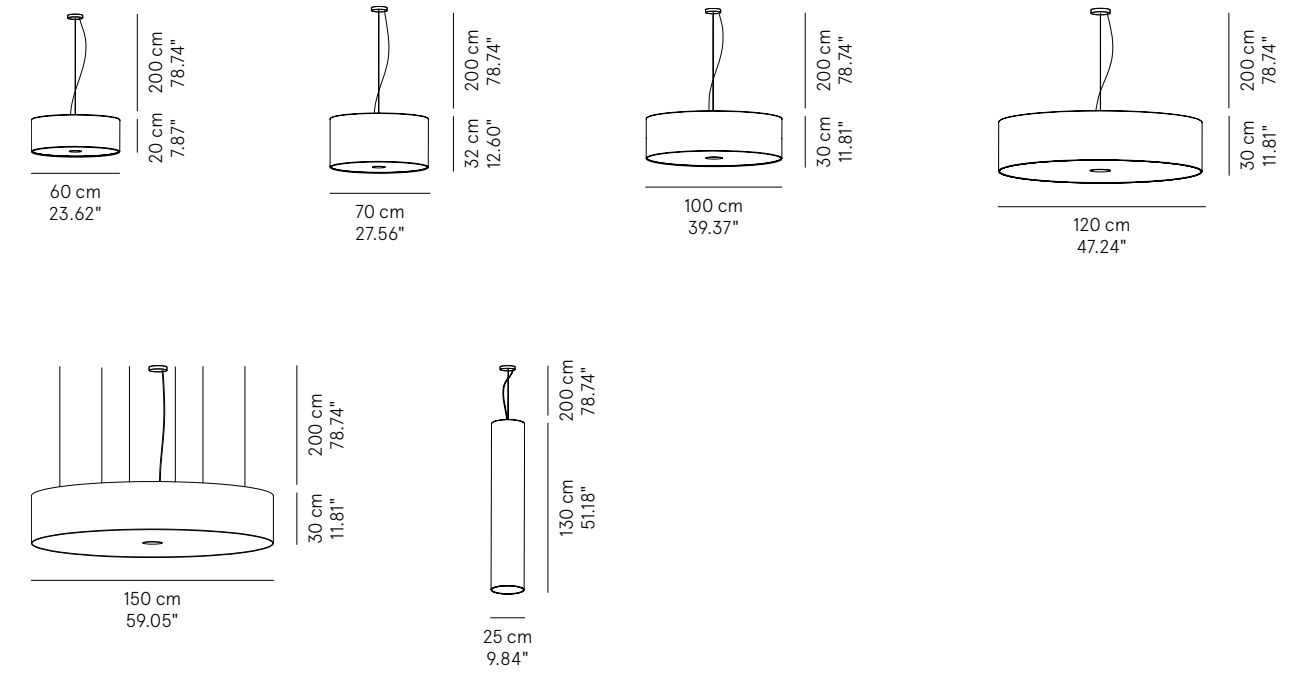


Dettaglio rosone  
Ø 150/  
Ø 150 ceiling rose  
detail



Particolare disco chiusura superiore in plexiglass/  
Detail of upper plexiglass protection

## Pendant lamp



## Finishes

Lampada in tessuto/  
Fabric lampshade

## Diffuser textiles



\* on demand

## IP20



\* on demand

\*\* cable on measure

# Circus

Design by ModoLuce R&D – 2018

ACOUSTIC COMFORT



**Con le sue generose dimensioni, Circus illumina e arreda l'ambiente con una funzione fonoassorbente.**

With its generous dimensions, Circus provides light and style, while also offering a sound-absorbent function.







# Circus



Lamp		Dimensions	Light source
Pendant lamp	Circus 50	Ø 50 × 42 cm weight 4 kg	<b>lamp type</b> 3 x E27 <b>max watt</b> 3 x 70 W HES <b>DIM</b>
		Ø 50 × 42 cm weight 4 kg	<b>lamp type</b> 1 LED module 23 W <b>luminous efficacy</b> 3628 Lm <b>light colour</b> 2700 K <b>DIM</b> DALI - push DIM / TRIAC
	Circus 70	Ø 70 × 35 cm weight 4 kg	<b>lamp type</b> 3 x E27 <b>max watt</b> 3 x 70 W HES <b>DIM</b>
		Ø 70 × 35 cm weight 4 kg	<b>lamp type</b> 1 LED module 23 W <b>luminous efficacy</b> 3628 Lm <b>light colour</b> 2700 K <b>DIM</b> DALI - push DIM / TRIAC
	Circus 100	Ø 100 × 35 cm weight 9 kg	<b>lamp type</b> 4 x E27 <b>max watt</b> 4 x 105 W HES <b>DIM</b>
		Ø 100 × 35 cm weight 9 kg	<b>lamp type</b> 1 LED module 23 W / 57 W <b>luminous efficacy</b> 3628 Lm / 8750 Lm <b>light colour</b> 2700 K <b>DIM</b> DALI - push DIM / TRIAC
	Circus 120	Ø 120 × 35 cm weight 17 kg	<b>lamp type</b> 4 x E27 <b>max watt</b> 4 x 105 W HES <b>DIM</b>
		Ø 120 × 35 cm weight 17 kg	<b>lamp type</b> 1 LED module 23 W / 88,2 W <b>luminous efficacy</b> 3628 Lm / 12380 Lm <b>light colour</b> 2700 K <b>DIM</b> DALI - push DIM / TRIAC
	Circus 150	Ø 150 × 50 cm weight 30 kg	<b>lamp type</b> 6 x E27 <b>max watt</b> 6 x 105 W HES <b>DIM</b>
		Ø 150 × 50 cm weight 30 kg	<b>lamp type</b> 1 LED module 88,2 W <b>luminous efficacy</b> 12380 Lm <b>light colour</b> 2700 K <b>DIM</b> DALI - push DIM
	Circus Longue 130	130 × 35 × 35 cm weight 15 kg	<b>lamp type</b> linear LED modules 48 W <b>luminous efficacy</b> 8070 Lm <b>light colour</b> 3000 K <b>DIM</b> DALI - push DIM
	Circus Longue 160	160 × 35 × 35 cm weight 20 kg	<b>lamp type</b> linear LED modules 56 W <b>luminous efficacy</b> 9410 Lm <b>light colour</b> 3000 K <b>DIM</b> DALI - push DIM

## Details



Dettaglio rosone CE/  
CE ceiling rose detail

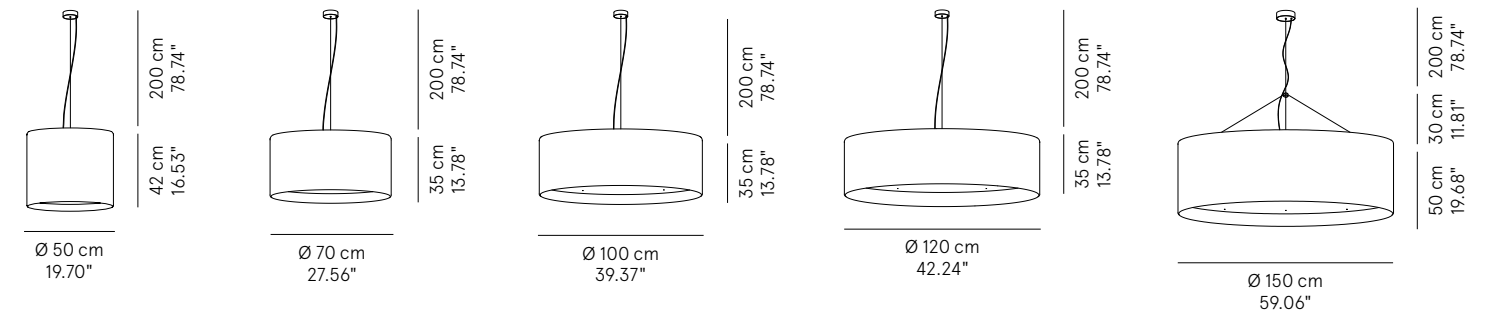


Versione ETL/  
ETL version

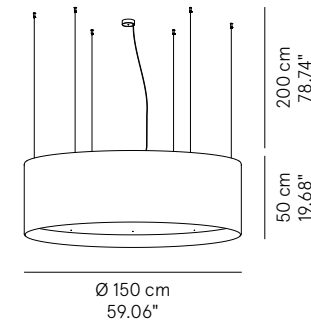


Dettaglio rosone Circus Longue/  
Circus Longue ceiling rose detail

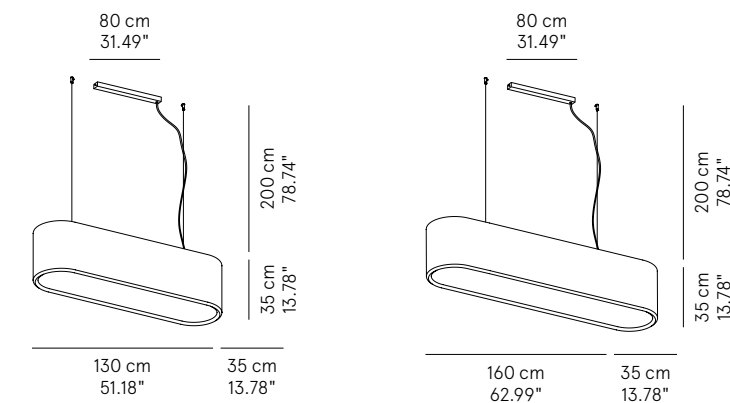
## Pendant lamp



## ETL version



## Circus Longue

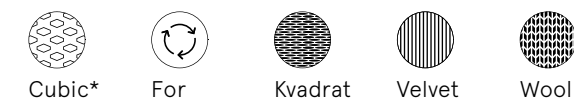


## Finishes

Lampada in tessuto/  
Fabric lampshade

Circus:  
Biemissione on demand/  
Uplight and downlight  
on demand  
Circus Longue:  
Biemissione di serie/  
Available as standard  
uplight and downlight

## Diffuser textiles



Altri colori e tessuti  
disponibili su richiesta /  
Other colors and fabrics  
available on request

\* on demand

## IP20

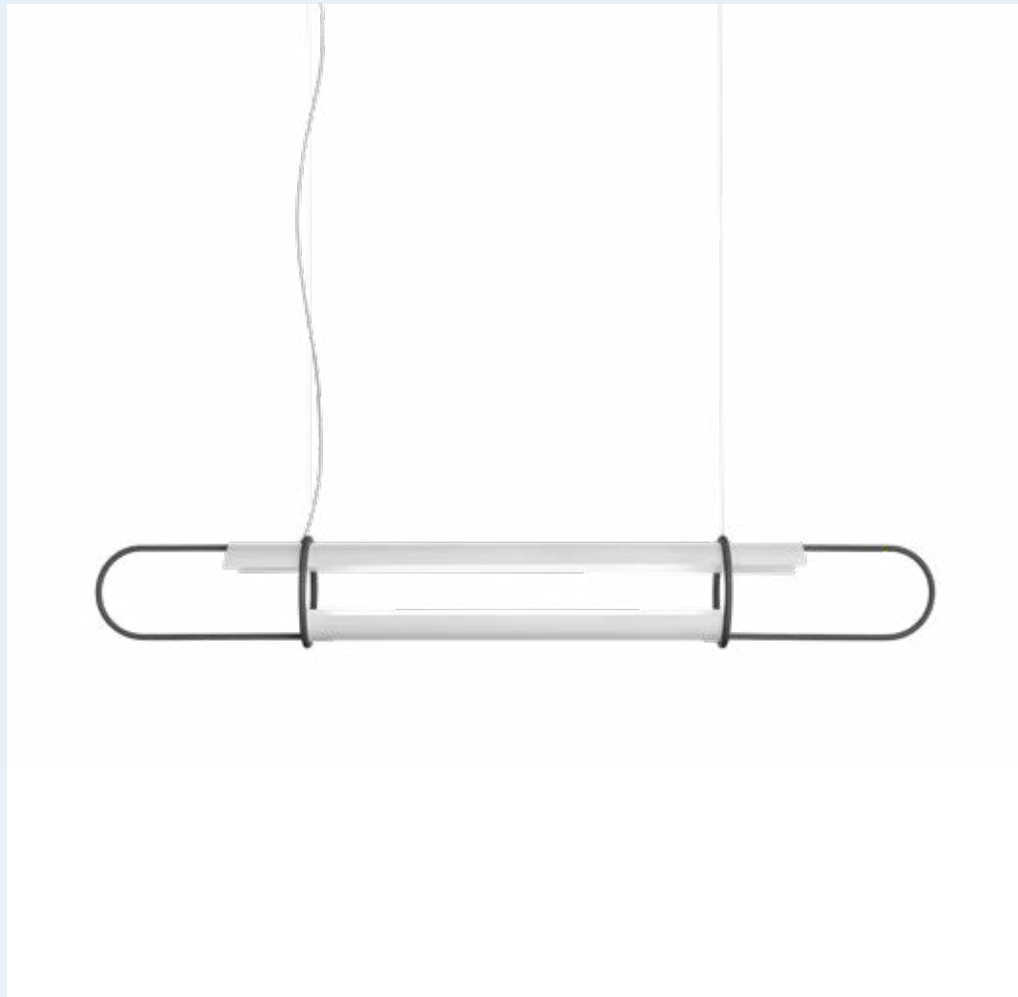


\* on demand

\*\* cable on measure

# Clip

Design by Baldessari e Baldessari — 2018



**La luce come compagna e assistente nelle attività di ogni giorno con una linea metallica semplice, quasi impalpabile, che ne traccia la sagoma.**

Light accompanies us and assists us in our everyday activities and a simple, almost imperceptible metal line outlines its profile.



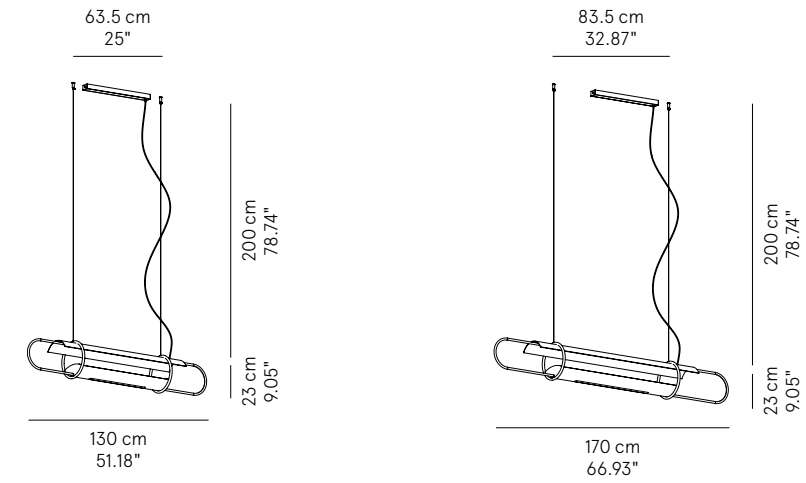


# Clip



Lamp		Dimensions	Light source
Pendant lamp	Clip 130	Ø 23 x 130 cm weight 5 kg	<b>lamp type</b> linear LED modules 48 W <b>luminous efficacy</b> 8040 Lm <b>light colour</b> 3000 K <b>DIM</b> DALI - push DIM <b>uplight</b> 5360 Lm <b>downlight</b> 2680 Lm
	Clip 170	Ø 23 x 170 cm weight 8 kg	<b>lamp type</b> linear LED modules 60 W <b>luminous efficacy</b> 10120 Lm <b>light colour</b> 3000 K <b>DIM</b> DALI - push DIM <b>uplight</b> 7440 Lm <b>downlight</b> 2680 Lm

## Pendant lamp



## Details



Dettaglio rosone/  
Ceiling rose detail



Dettaglio/  
Detail

## Finishes

Lampada in metallo,  
diffusore superiore in PC/  
Metal structure,  
upper diffuser in PC  
Biemissione/  
Uplight and downlight

## Body colours



IP20



\*\* cable on measure

# Cocò

Design by Brian Rasmussen — 2015

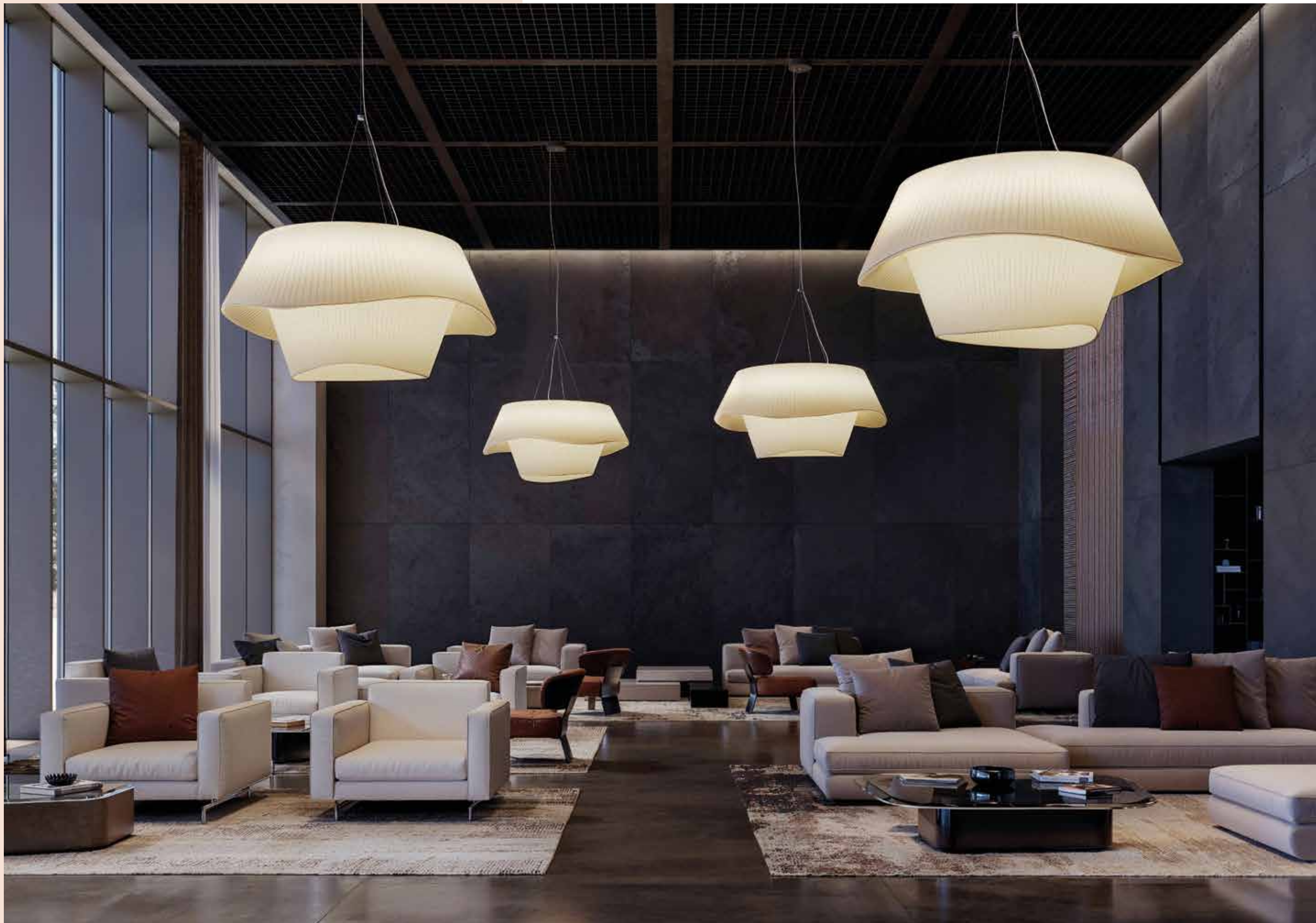


**Illumina ogni luogo con il fascino e la grazia della danza che Cocò evoca. Tutto è un richiamo all'eleganza in questa lampada a sospensione.**

Illuminate each day with the charming, graceful dance that Cocò evokes. Everything about this pendant lamp speaks of elegance.







# Cocò



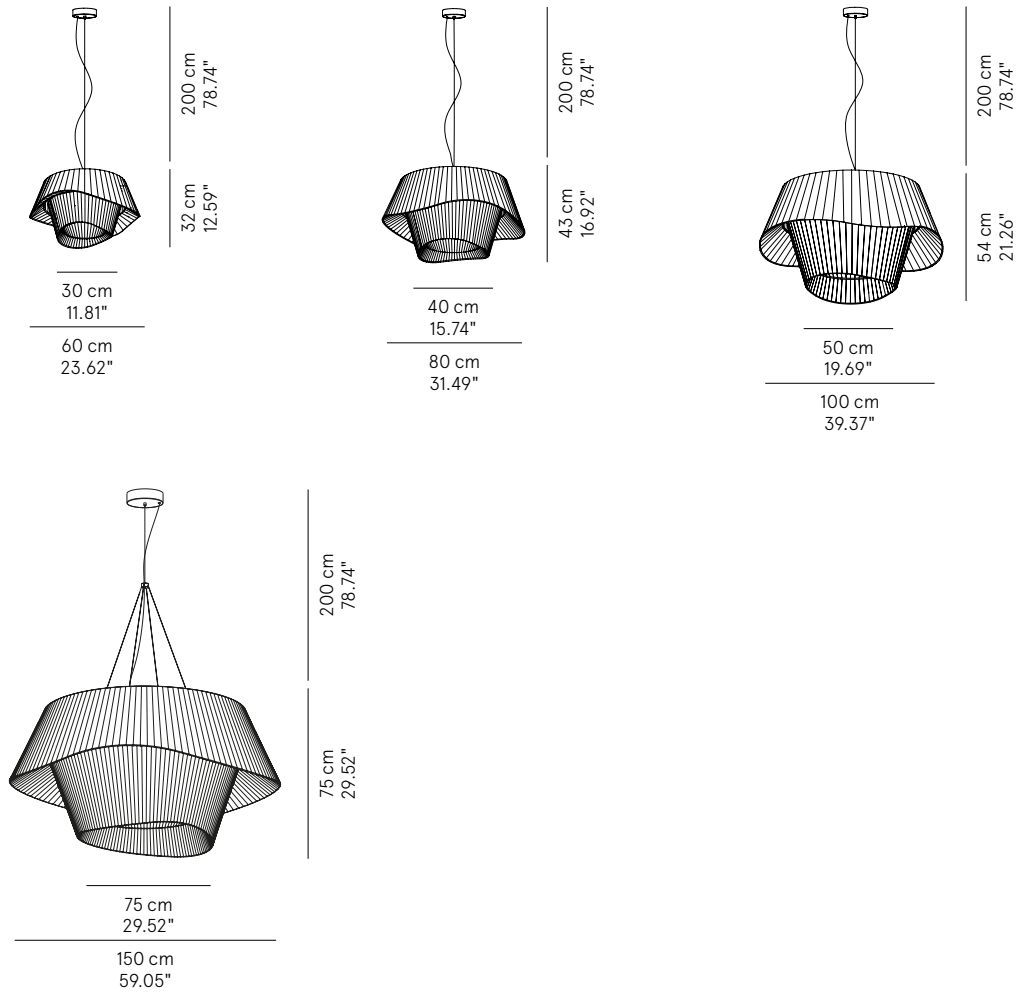
Lamp		Dimensions	Light source
Pendant lamp	Cocò 60	Ø 60 x 32 cm weight 4 kg	<b>lamp type</b> 2 x E27 <b>max watt</b> 2 x 42 W HES <b>DIM</b>
		Ø 60 x 32 cm weight 4 kg	<b>lamp type</b> 1 LED module 18,7 W <b>luminous efficacy</b> 3000 Lm <b>light colour</b> 2700 K <b>DIM</b> DALI - push DIM / TRIAC
Cocò 80	Cocò 80	Ø 80 x 43 cm weight 7 kg	<b>lamp type</b> 3 x E27 <b>max watt</b> 3 x 70 W HES <b>DIM</b>
		Ø 80 x 43 cm weight 7 kg	<b>lamp type</b> 1 LED module 23 W <b>luminous efficacy</b> 3628 Lm <b>light colour</b> 2700 K <b>DIM</b> DALI - push DIM / TRIAC
Cocò 100	Cocò 100	Ø 100 x 54 cm weight 9 kg	<b>lamp type</b> 4 x E27 <b>max watt</b> 4 x 70 W HES <b>DIM</b>
		Ø 100 x 54 cm weight 9 kg	<b>lamp type</b> 1 LED module 23 W / 57 W <b>luminous efficacy</b> 3628 Lm / 8750 Lm <b>light colour</b> 2700 K <b>DIM</b> DALI - push DIM / TRIAC
Cocò 150	Cocò 150	Ø 150 x 75 cm weight 30 kg	<b>lamp type</b> 1 LED module 88 W <b>luminous efficacy</b> 12380 Lm <b>light colour</b> 2700 K <b>DIM</b> DALI - push DIM

## Details



Dettaglio rosone/  
Ceiling rose detail

## Pendant lamp



## Finishes

Lampada in tessuto/  
Fabric lampshade

## Diffuser textiles



IP20



\* on demand  
\*\* cable on measure



# Cocò Demi

Design by Brian Rasmussen – 2024



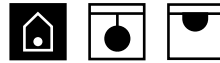
Con la grazia minimale delle sue forme fluide, illumina e arreda gli interni con discrezione.

With the minimal grace of its flowing lines, it illuminates and furnishes interiors with discretion.



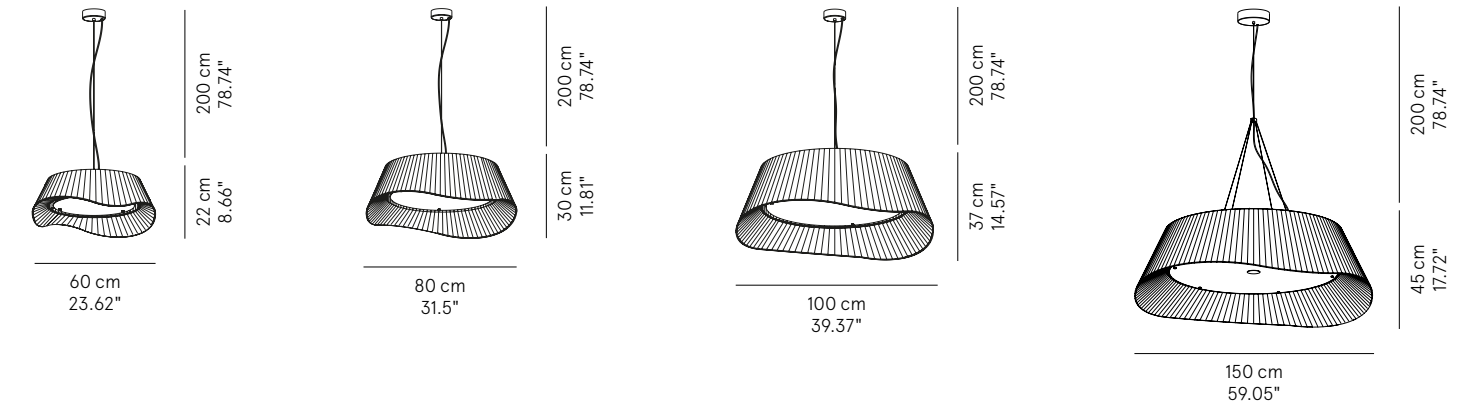


# Cocò Demi

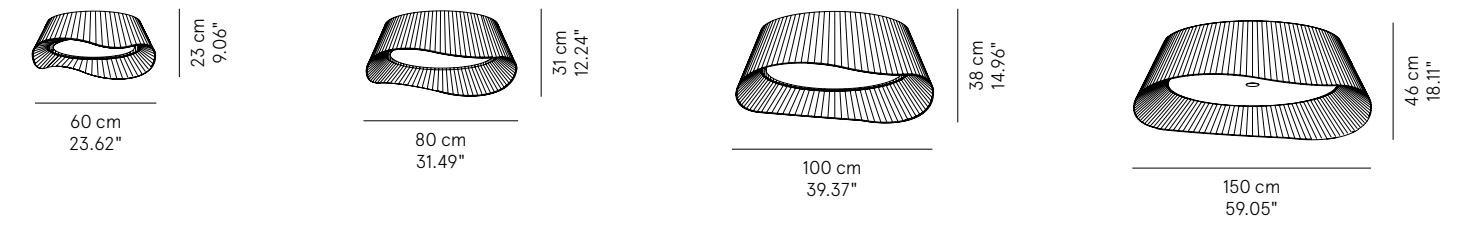


Lamp		Dimensions	Light source
Pendant lamp	Cocò Demi 60	Ø 60 x 22 cm weight 3 Kg	<b>lamp type</b> 2 x E27 <b>max watt</b> 2 x 42 W HES <b>DIM</b>
		Ø 60 x 22 cm weight 3 Kg	<b>lamp type</b> 1 LED module 18,7 W <b>luminous efficacy</b> 3000 Lm <b>light colour</b> 2700 K <b>DIM</b> DALI - push DIM / TRIAC
	Cocò Demi 80	Ø 80 x 30 cm weight 6 kg	<b>lamp type</b> 3 x E27 <b>max watt</b> 3 x 70 W HES <b>DIM</b>
		Ø 80 x 30 cm weight 6 kg	<b>lamp type</b> 1 LED module 23 W <b>luminous efficacy</b> 3628 Lm <b>light colour</b> 2700 K <b>DIM</b> DALI - push DIM / TRIAC
Cocò Demi 100		Ø 100 x 37 cm weight 8 kg	<b>lamp type</b> 4 x E27 <b>max watt</b> 4 x 70 W HES <b>DIM</b>
		Ø 100 x 37 cm weight 8 kg	<b>lamp type</b> 1 LED module 23 W / 57 W <b>luminous efficacy</b> 3628 Lm / 8750 Lm <b>light colour</b> 2700 K <b>DIM</b> DALI - push DIM / TRIAC
Cocò Demi 150		Ø 150 x 45 cm weight 25 kg	<b>lamp type</b> 1 LED module 88 W <b>luminous efficacy</b> 12380 Lm <b>light colour</b> 2700 K <b>DIM</b> DALI - push DIM
Ceiling lamp	Cocò Demi 60	Ø 60 x 23 cm weight 3 Kg	<b>lamp type</b> 2 x E27 <b>max watt</b> 2 x 42 W HES <b>DIM</b>
		Ø 60 x 23 cm weight 3 kg	<b>lamp type</b> 1 LED module 18,7 W <b>luminous efficacy</b> 3000 Lm <b>light colour</b> 2700 K <b>DIM</b> DALI - push DIM / TRIAC
	Cocò Demi 80	Ø 80 x 31 cm weight 6 kg	<b>lamp type</b> 3 x E27 <b>max watt</b> max 3 x 70 W HES <b>DIM</b>
		Ø 80 x 31 cm weight 6 kg	<b>lamp type</b> 1 LED module 23 W <b>luminous efficacy</b> 3628 Lm <b>light colour</b> 2700 K <b>DIM</b> DIM DALI - push DIM / TRIAC
	Cocò Demi 100		Ø 100 x 38 cm weight 8 Kg
Ø 100 x 38 cm weight 8 Kg			<b>lamp type</b> 1 LED module 23 W / 57 W <b>luminous efficacy</b> 3628 Lm / 8750 Lm <b>light colour</b> 2700 K <b>DIM</b> DIM DALI - push DIM / TRIAC
Cocò Demi 150		Ø 150 x 46 cm weight 25 Kg	<b>lamp type</b> 1 LED module 88,2 W <b>luminous efficacy</b> 12380 Lm <b>light colour</b> 2700 K <b>DIM</b> DIM DALI - push DIM

## Pendant lamp



## Ceiling lamp



## Details



Dettaglio rosone/  
Ceiling rose detail

## Finishes

Lampada in tessuto/  
Fabric lampshade

## Diffuser textiles



IP20



\* on demand  
\*\* cable on measure

# Discovolante



Design by Paolo Grasselli – 2004



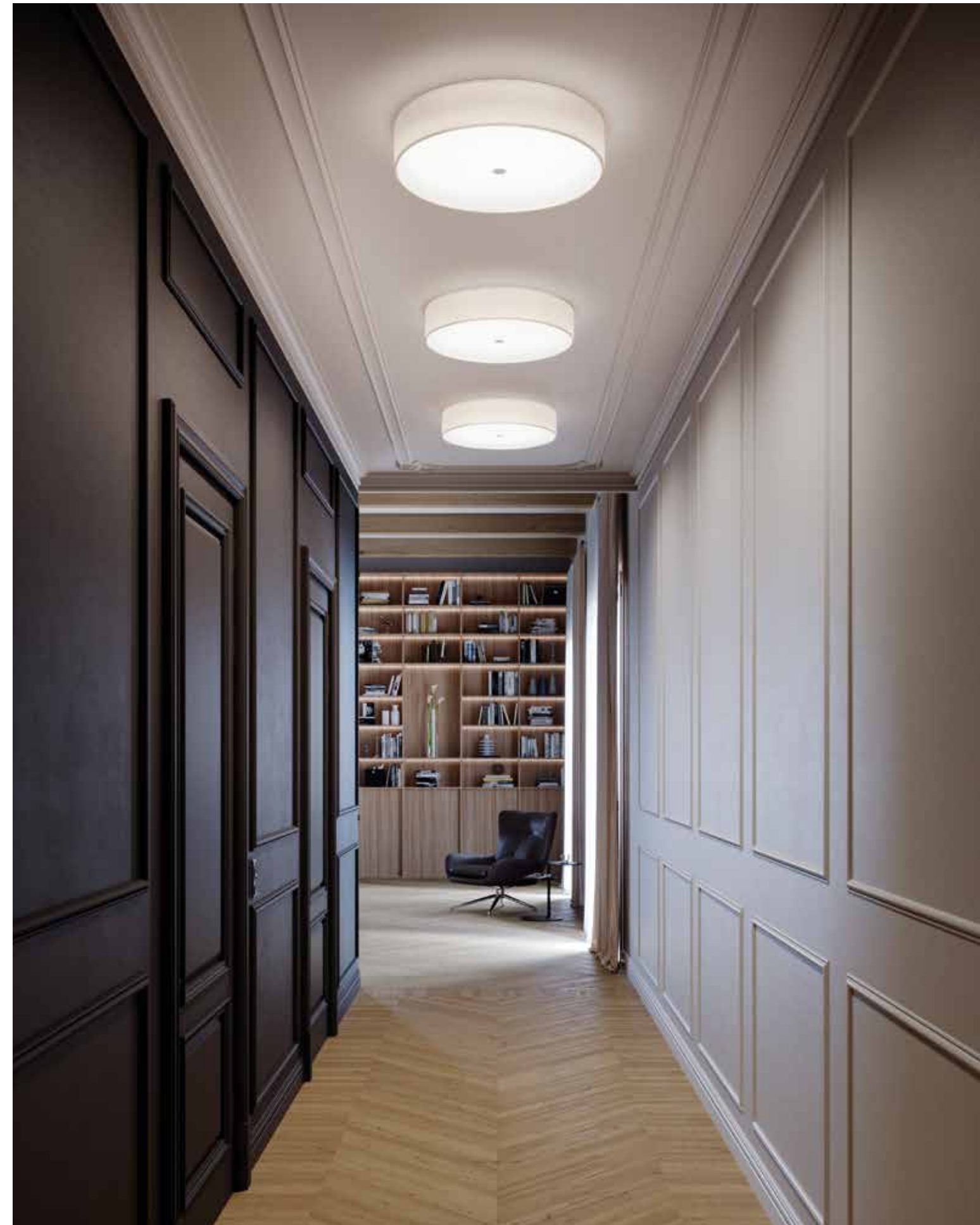
Lasciati ipnotizzare dalla figura perfetta, un cerchio di luce impreziosito da una cintura in tessuto.

Let yourself be hypnotised by the perfect shape, a circle of light embellished with a fabric belt.

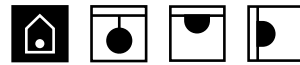








# Discovolante



Lamp		Dimensions	Light source
Ceiling lamp	Discovolante 20	Ø 20 x 11 cm weight 1 kg	<b>lamp type</b> 1 LED module 8 W <b>luminous efficacy</b> 1250 Lm <b>light colour</b> 2700 K <b>DIM</b> DALI – push DIM / TRIAC
Pendant lamp Ceiling lamp Wall lamp	Discovolante 40	Ø 40 x 10 cm weight 2 kg	<b>lamp type</b> 2 x E27 <b>max watt</b> 2 x 42 W HES <b>DIM</b>
		Ø 40 x 10 cm weight 2 kg	<b>lamp type</b> 1 LED module 18,7 W <b>luminous efficacy</b> 3000 Lm <b>light colour</b> 2700 K <b>DIM</b> DALI – push DIM / TRIAC
	Discovolante 60	Ø 60 x 12 cm weight 4 kg	<b>lamp type</b> 3 x E27 <b>max watt</b> 3 x 42 W HES <b>DIM</b>
		Ø 60 x 12 cm weight 4 kg	<b>lamp type</b> 1 LED module 23 W / 57 W <b>luminous efficacy</b> 3628 Lm / 8750 Lm <b>light colour</b> 2700 K <b>DIM</b> DALI – push DIM / TRIAC
Pendant lamp Ceiling lamp	Discovolante 80	Ø 80 x 12 cm weight 5 kg	<b>lamp type</b> 4 x E27 <b>max watt</b> 4 x 42 W HES <b>DIM</b>
		Ø 80 x 12 cm weight 5 kg	<b>lamp type</b> 1 LED module 57 W / 88,2 W <b>luminous efficacy</b> 8750 Lm / 12380 Lm <b>light colour</b> 2700 K <b>DIM</b> DALI – push DIM / TRIAC
	Discovolante 100	Ø 100 x 12 cm weight 7 kg	<b>lamp type</b> 4 x E27 <b>max watt</b> 4 x 42 W HES <b>DIM</b>
		Ø 100 x 12 cm weight 7 kg	<b>lamp type</b> 1 LED module 57 W / 88,2 W <b>luminous efficacy</b> 8750 Lm / 12380 Lm <b>light colour</b> 2700 K <b>DIM</b> DALI – push DIM / TRIAC

## Details



Dettaglio rosone/  
Ceiling rose detail



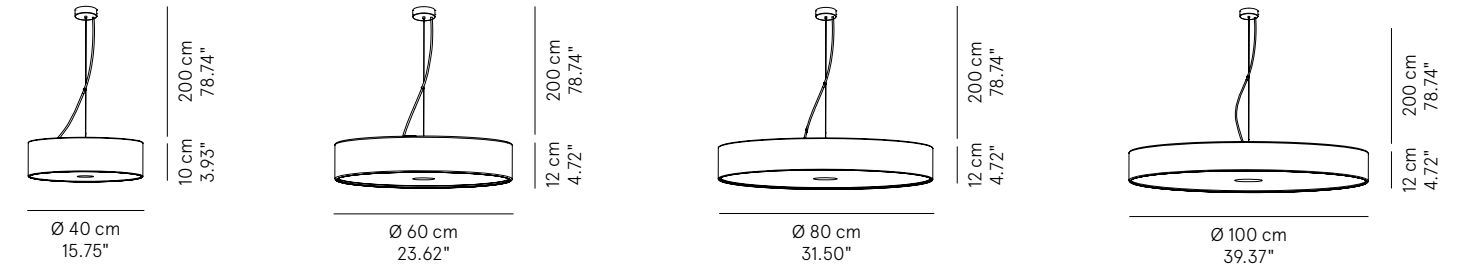
Particolare disco chiusura superiore  
in plexiglass/  
Detail of upper plexiglass protection

## Focus

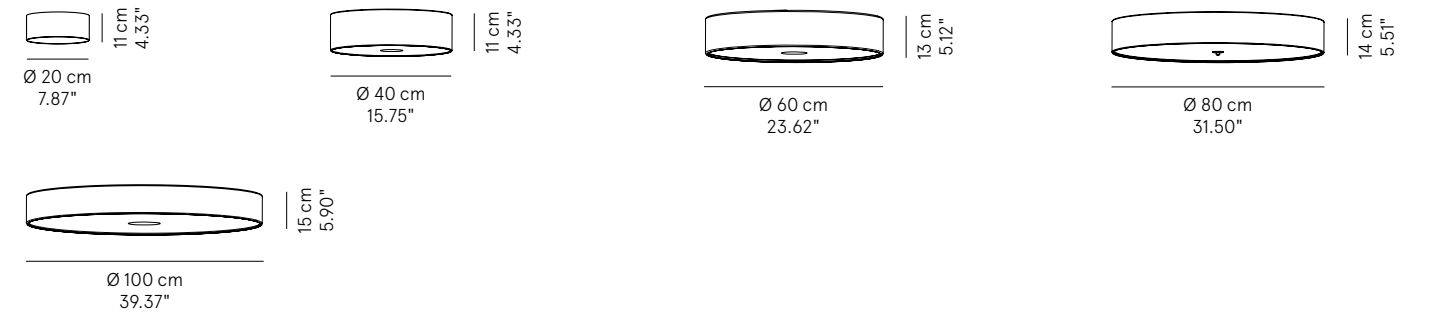


Versione plafoniera/  
Ceiling lamp

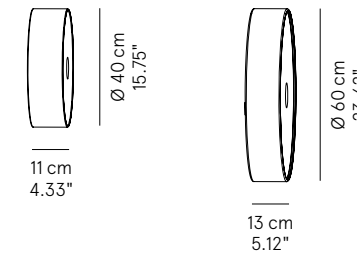
## Pendant lamp



## Ceiling lamp



## Wall lamp



## Finishes

Lampada in tessuto/  
Fabric lampshade

## Diffuser textiles



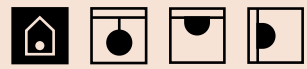
## IP20



\* on demand  
\*\* cable on measure



# Florinda



Design by Romano + Menegon — 2010



**Elegante e raffinata, Florinda esprime l'abilità artigianale italiana.**

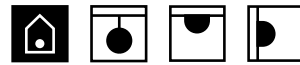
Elegant and sophisticated, Florinda is an expression of Italian artisanship.





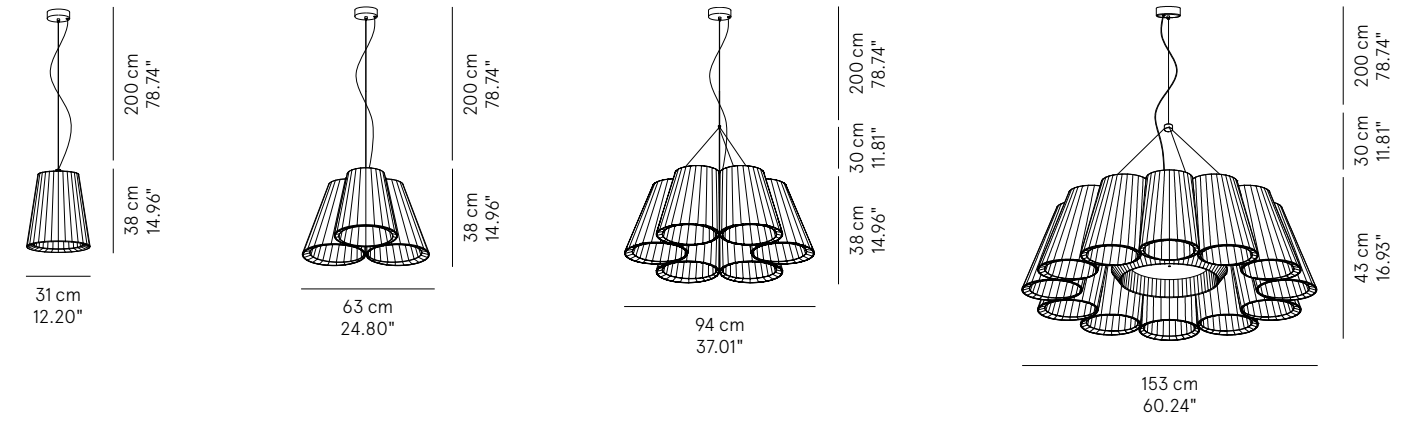


# Florinda

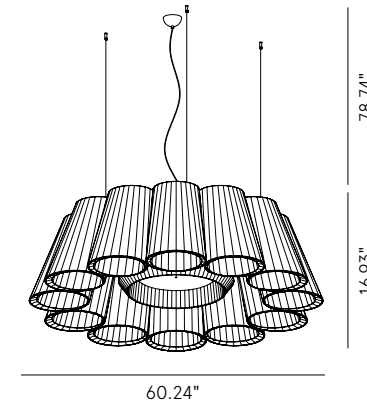


Lamp		Dimensions	Light source
Pendant lamp	Florinda 1	Ø 31 x 38 cm weight 2 kg	<b>lamp type</b> 1 x E27 <b>max watt</b> 70 W HES <b>DIM</b>
	Florinda 3	Ø 63 x 38 cm weight 7 kg	<b>lamp type</b> 3 x E27 <b>max watt</b> 3 x 70 W HES <b>DIM</b>
	Florinda 6	Ø 94 x 38 cm weight 10 kg	<b>lamp type</b> 6 x E27 + 1 x E14 <b>max watt</b> 6 x 70 W HES + 1 x 42 W HES <b>DIM</b>
	Florinda 12	Ø 153 x 43 cm weight 35 kg	<b>lamp type</b> 12 x E27 + 3 x E27 <b>max watt</b> 12 x 70 W HES + 3 x 42 W HES <b>DIM</b>
Ceiling lamp	Florinda 3	Ø 63 x 41 cm weight 7 kg	<b>lamp type</b> 3 x E27 <b>max watt</b> 3 x 70 W HES <b>DIM</b>
	Florinda 6	Ø 94 x 41 cm weight 10 kg	<b>lamp type</b> 6 x E27 + 1 x E14 <b>max watt</b> 6 x 70 W HES + 1 x 42 W HES <b>DIM</b>
	Florinda 12	Ø 153 x 51 cm weight 35 kg	<b>lamp type</b> 12 x E27 + 3 x E27 <b>max watt</b> 12 x 70 W HES + 3 x 42 W HES <b>DIM</b>
Wall lamp		Ø 31,5 x 40,5 cm weight 0,4 kg	<b>lamp type</b> 2 x E27 <b>max watt</b> 2 x 42 W HES <b>DIM</b>

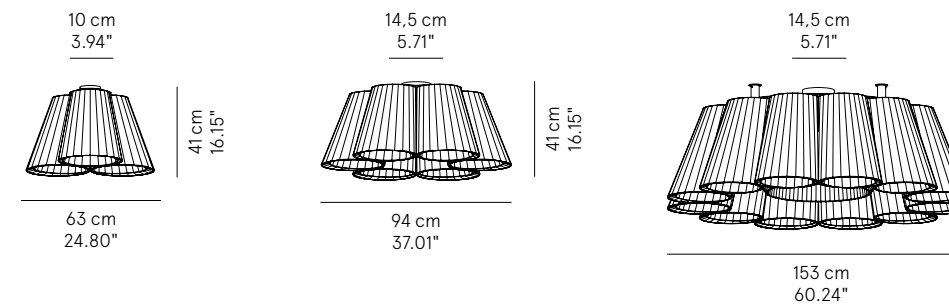
## Pendant lamp



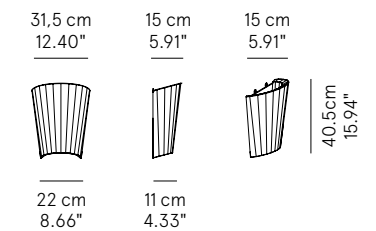
## ETL version



## Ceiling lamp



## Wall lamp



## Details



Dettaglio rosone/  
Ceiling rose detail

Florinda 12 versione ETL/  
ETL version

Florinda 6  
vista dal basso/  
View from below

Sospensione singola/  
Single pendant lamp

Applique/  
Wall lamp

## Finishes

Diffusore in tessuto,  
struttura in metallo/  
Fabric lampshade,  
metal structure

## Diffuser textiles



IP20



\* on demand  
\*\* cable on measure

# Florinda Desnuda



Design by Romano + Menegon — 2015

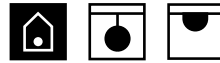


**Per chi ama lo stile floreale e ricerca un tocco di modernità ed essenzialità, Florinda Desnuda offre con il suo nude look una versione inedita di giardino luminoso.**

For those who love floral style but are also looking for a touch of modernity and essentiality, Florinda Desnuda with its nude look offers a highly original version of an illuminated garden.

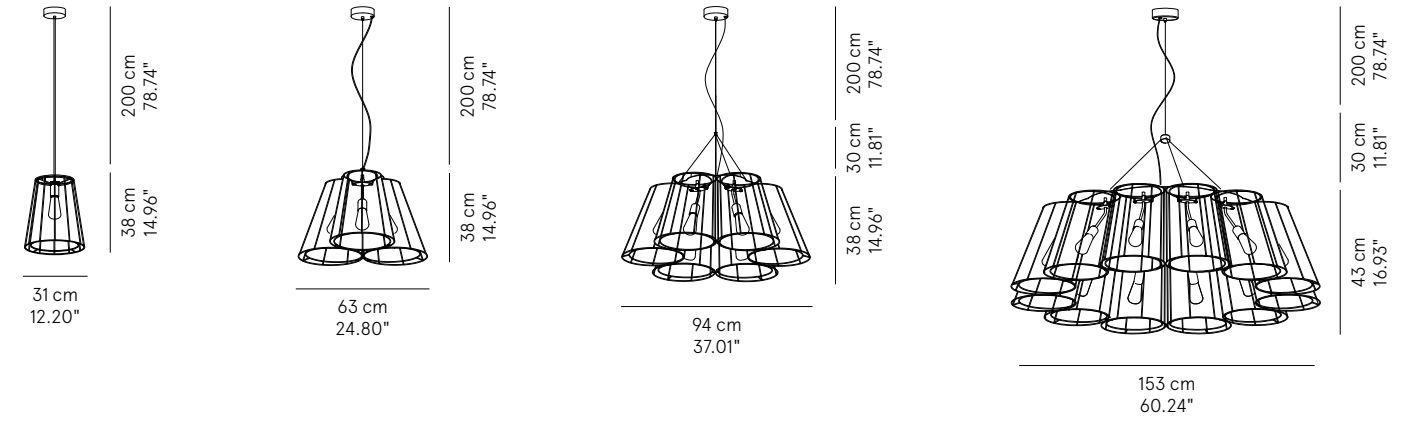


# Florinda Desnuda

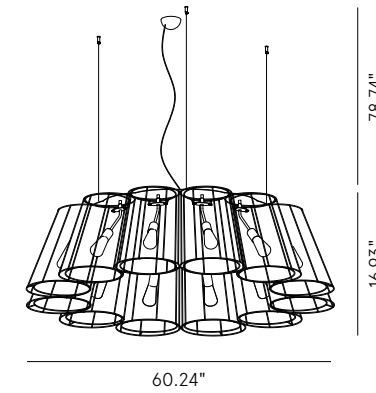


Lamp		Dimensions	Light source
Pendant lamp	Florinda 1	Ø 31 x 38 cm weight 1,5 kg	<b>lamp type</b> 1 x E27 <b>max watt</b> 70 W HES <b>DIM</b>
	Florinda 3	Ø 63 x 38 cm weight 5 kg	<b>lamp type</b> 3 x E27 <b>max watt</b> 3 x 70 W HES <b>DIM</b>
	Florinda 6	Ø 94 x 38 cm weight 8 kg	<b>lamp type</b> 6 x E27 <b>max watt</b> 6 x 70 W HES <b>DIM</b>
	Florinda 12	Ø 153 x 43 cm weight 27 kg	<b>lamp type</b> 12 x E27 <b>max watt</b> 12 x 70 W HES <b>DIM</b>
Ceiling lamp	Florinda 3	Ø 63 x 41 cm weight 6 kg	<b>lamp type</b> 3 x E27 <b>max watt</b> 3 x 70 W HES <b>DIM</b>
	Florinda 6	Ø 94 x 41 cm weight 10 kg	<b>lamp type</b> 6 x E27 <b>max watt</b> 6 x 70 W HES <b>DIM</b>
	Florinda 12	Ø 153 x 51 cm weight 30 kg	<b>lamp type</b> 12 x E27 <b>max watt</b> 12 x 70 W HES <b>DIM</b>

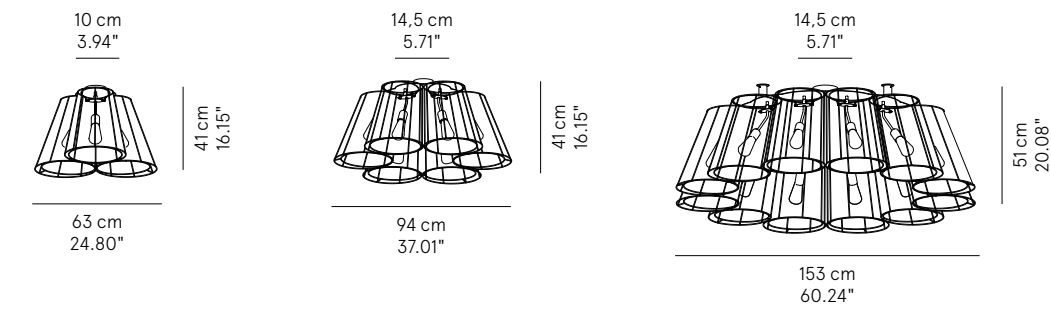
## Pendant lamp



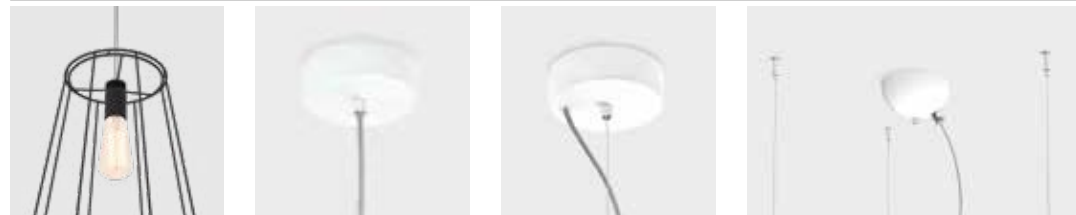
## ETL version



## Ceiling lamp



## Details



Sospensione singola/  
Single pendant lamp

Florinda 1  
Dettaglio rosone/  
Ceiling rose detail

Dettaglio rosone/  
Ceiling rose detail

Florinda 12 versione ETL/  
ETL version

## Focus

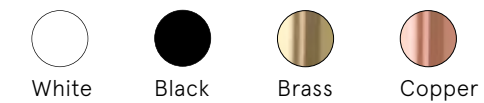


Versione plafoniera/  
Ceiling lamp

## Finishes

Lampada in metallo/  
Metal structure

## Colours



IP20



\*\* cable on measure

# Frisé

Design by Francesca Smiraglia – 2023

ACOUSTIC COMFORT



**Un inedito incontro di forme e geometrie, volumi e materiali, luci ed ombre.**

A novel combination of shapes and geometries, volumes and materials, lights and shadows.



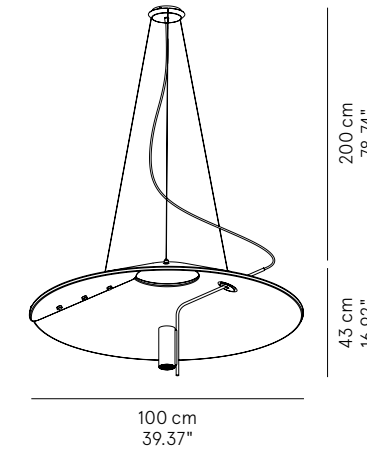
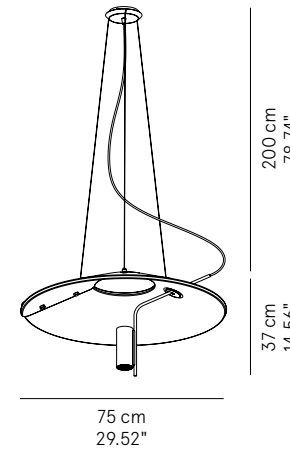


# Frisé

ACOUSTIC COMFORT   

Lamp		Dimensions	Light source
Pendant lamp	Frisé 75	Ø 75 x 37 cm weight 7 Kg	<b>lamp type</b> 2 x GU10 <b>max watt</b> 28 W HES
	Frisé 100	Ø 100 x 43 cm weight 12 Kg	<b>lamp type</b> 2 x GU10 <b>max watt</b> 28 W HES

## Pendant lamp



## Details



White

Dettaglio rosone/  
Ceiling rose detail



Black



Matt gold



Dettaglio schermo anti abbaglio/  
Antiglare detail

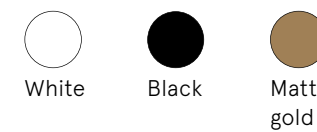
## Finishes

Diffusore in tessuto,  
Struttura in metallo/  
Fabric lampshade,  
metal structure

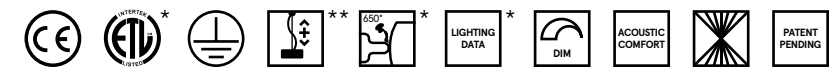
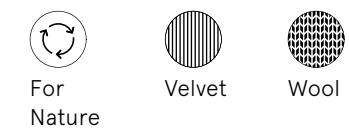
Bi-emissione/  
Uplight and downlight

IP20

## Body colours



## Diffuser textiles



\* on demand  
\*\* cable on measure

# Galileo



Design by Bellucci Mazzoni Progetti – 2022



**Galileo è caratterizzato da forme sinuose  
abbinata a una luce diffusa e mai invadente.**

Galileo is marked by sinuous forms combined  
with diffuse light that is never intrusive.







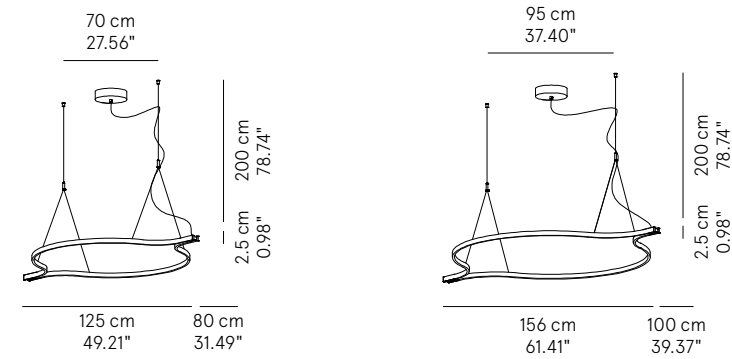
# Galileo



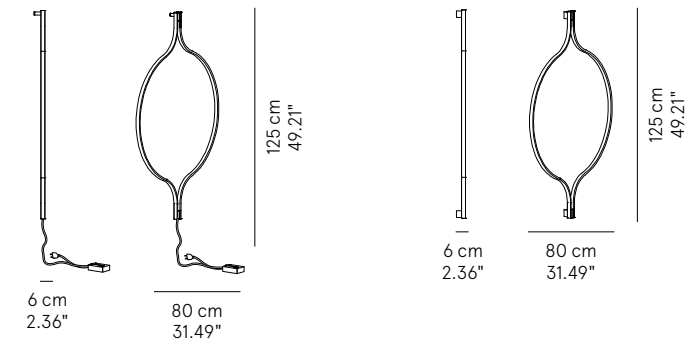
Lamp		Dimensions	Light source	
Pendant lamp	Galileo 80	Ø 125 x 80 x 2,5 cm weight 3 Kg	<b>lamp type</b> LED 44 W <b>luminous efficacy</b> 5500 Lm <b>light colour</b> 3000 K <b>DIM</b> DALI - push DIM / TRIAC	
	Galileo 100	Ø 156 x 100 x 2,5 cm weight 5 Kg	<b>lamp type</b> LED 56 W <b>luminous efficacy</b> 7100 Lm <b>light colour</b> 3000 K <b>DIM</b> DALI - push DIM / TRIAC	
Wall lamp	Galileo 80 plug	Ø 125 x 80 x 6 cm weight 3 Kg	<b>lamp type</b> 1 LED module 29 W <b>luminous efficacy</b> 3670 Lm <b>light colour</b> 3000 K <b>DIM</b>	Versione con cavo, alimentatore DIM a pedale / Plug version switch, DIM on the cable
	Galileo 80 remote	Ø 125 x 80 x 6 cm weight 3 Kg	<b>lamp type</b> 1 LED module 44 W <b>luminous efficacy</b> 5500 Lm <b>light colour</b> 3000 K <b>DIM</b> DALI - push DIM / TRIAC	Versione con alimentatore da remoto/ Remote driver version
Floor lamp		15 x 180 cm	<b>lamp type</b> 1 LED module 22 W <b>luminous efficacy</b> 2755 Lm <b>light colour</b> 3000 K <b>DIM</b>	

Details	Wall lamp	Floor lamp
 White  Lead Grey  Matt gold  Bronze Dettaglio rosone/ Ceiling rose detail	 Aggancio a muro versione con spina/ Wall mounting plug version  Aggancio a muro versione driver in remoto/ Wall mounting remote driver version	 Particolare aggancio con magnete/ Magnet connection detail  Particolare base in metallo/ Metal base detail

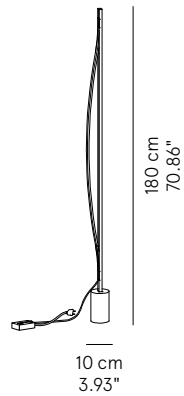
## Pendant lamp



## Wall lamp



## Floor lamp



## Finishes

Lampada in metallo/  
Metal structure

Lampada a sospensione e a muro con luce diffusa, lampada da terra con luce indiretta /  
Diffused light on pendant and wall lamp, indirect light on floor lamp

## Body Colours



\* only pendant and wall lamp

IP20



\* on demand  
\*\* cable on measure

# Galileo Longue



Design by Bellucci Mazzoni Progetti – 2022



**Un volume perfetto che illumina lo spazio in modo indiretto con una luce diffusa e discreta.**

A perfect volume that indirectly illuminates the space with a diffuse, discreet light.



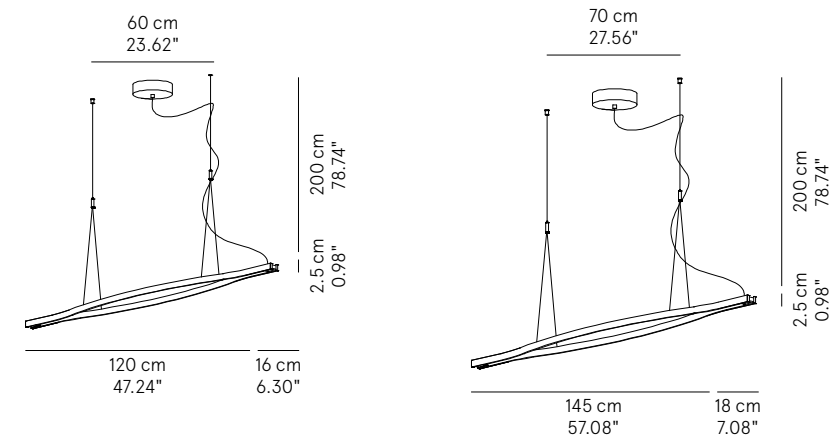


# Galileo Longue

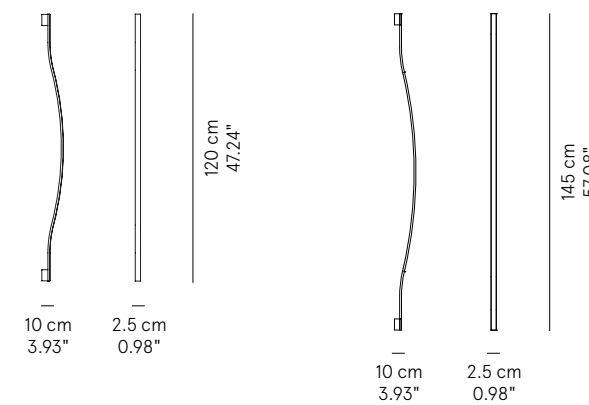


Lamp		Dimensions	Light source	
Pendant lamp	Galileo Longue 120	Ø 120 x 16 x 2,5 cm weight 5 Kg	<b>lamp type</b> 1 LED module 32 W <b>luminous efficacy</b> 4000 Lm <b>light colour</b> 3000 K <b>DIM</b> DALI - push DIM / TRIAC	
	Galileo Longue 145	Ø 145 x 18 x 2,5 cm weight 5 Kg	<b>lamp type</b> 1 LED module 40 W <b>luminous efficacy</b> 5000 Lm <b>light colour</b> 3000 K <b>DIM</b> DALI - push DIM / TRIAC	
Wall lamp	Galileo Longue 120	10 x 120 x 2,5 cm weight 2 Kg	<b>lamp type</b> 1 LED module 16 W <b>luminous efficacy</b> 2000 Lm <b>light colour</b> 3000 K <b>DIM</b> DALI - push DIM / TRIAC	Alimentatore da remoto/ Remote driver
	Galileo Longue 145	10 x 145 x 2,5 cm weight 2 Kg	<b>lamp type</b> 1 LED module 20 W <b>luminous efficacy</b> 2500 Lm <b>light colour</b> 3000 K <b>DIM</b> DALI - push DIM / TRIAC	Alimentatore da remoto/ Remote driver
Floor lamp		15 x 180 cm	<b>lamp type</b> 1 LED module 22 W <b>luminous efficacy</b> 2755 Lm <b>light colour</b> 3000 K <b>DIM</b>	

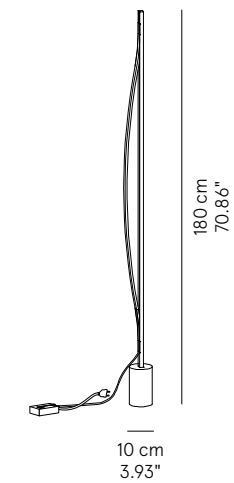
## Pendant lamp



## Wall lamp



## Floor lamp



## Details



Particolare aggancio a muro/  
Wall mounting detail

Dettaglio rosone/  
Ceiling rose detail

## Focus



Versione applique/  
Wall version

## Finishes

Lampada in metallo/  
Metal structure

Lampada a sospensione  
e a muro con luce diffusa,  
lampada da terra con luce  
indiretta /  
Diffused light on pendant  
and wall lamp, indirect light  
on floor lamp

## Body Colours



\* only pendant  
wall lamp

IP20



\* on demand  
\*\* cable on measure



# Geco



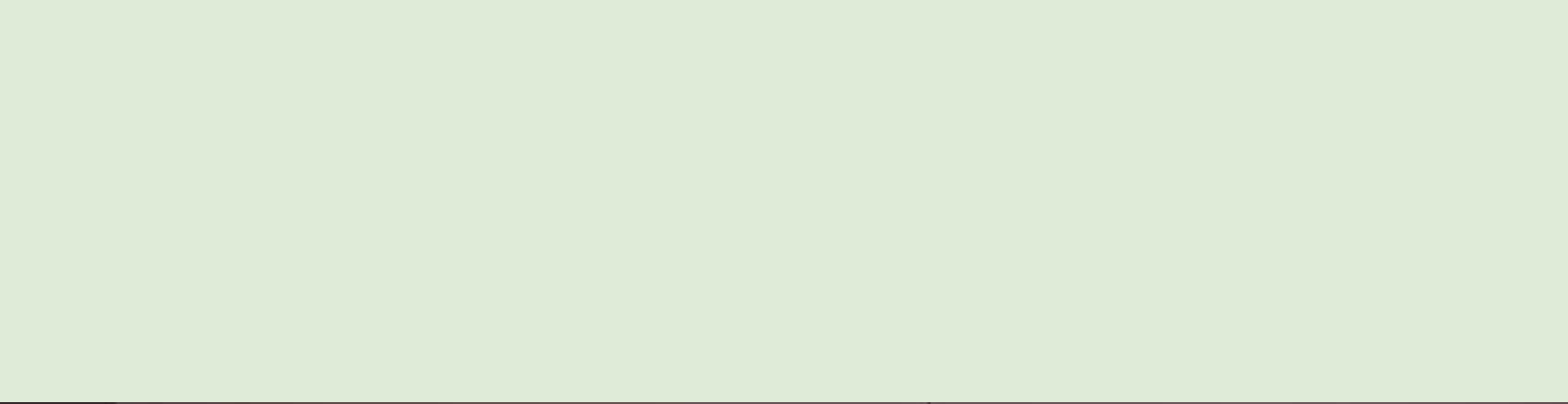
Design by Paolo Grasselli – 2019



Si arrampica sulla parete con estrema naturalezza proprio come il piccolo rettile da cui prende ispirazione la lampada Geco.

Climbing up the wall with poise and aplomb, just like the small reptile from which it draws its inspiration, is Geco lamp.





# Geco

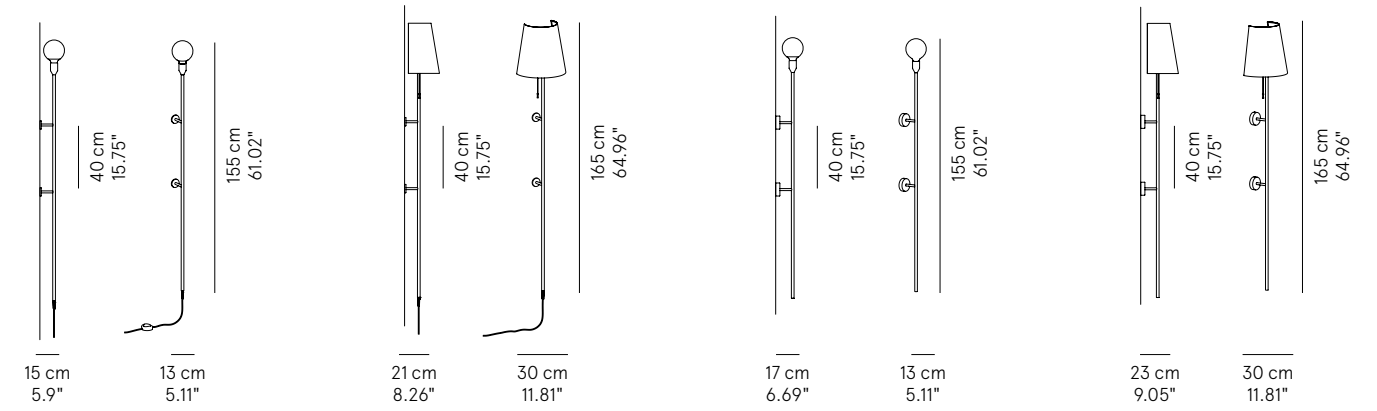


Lamp		Dimensions	Light source
Wall lamp with plug	Geco 155	13 x 15 x 155 weight 5 kg	lamp type 1 x E27 max watt 42 W HES DIM
	Geco 165	30 x 21 x 165 weight 5 kg	lamp type 1 x E27 max watt 42 W HES DIM
Wall lamp without plug	Geco 155	13x 17 x 155 weight 5 kg	lamp type 1 x E27 max watt 42 W HES DIM
	Geco 165	30 x 23 x 165 weight 5 kg	lamp type 1 x E27 max watt 42 W HES DIM

## Wall lamp

### With plug

### Without plug



## Details

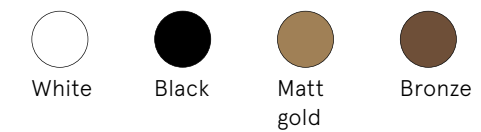


Dettaglio paralume/  
Diffuser detail

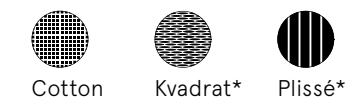
## Finishes

Diffusore in tessuto,  
struttura in metallo/  
Fabric lampshade,  
metal structure

## Body colours



## Diffuser textiles



\* on demand

IP20



\* on demand

# Gregory

Design by Alfredo Chiaramonte – 2024



**La versatilità prende forma. Una struttura metallica leggera è la base per infinite composizioni adatte ai diversi ambienti, dalla casa al contract.**

Versatility takes shape. A lightweight metal structure is the basis for endless compositions suitable for various settings, from home to contract environments.



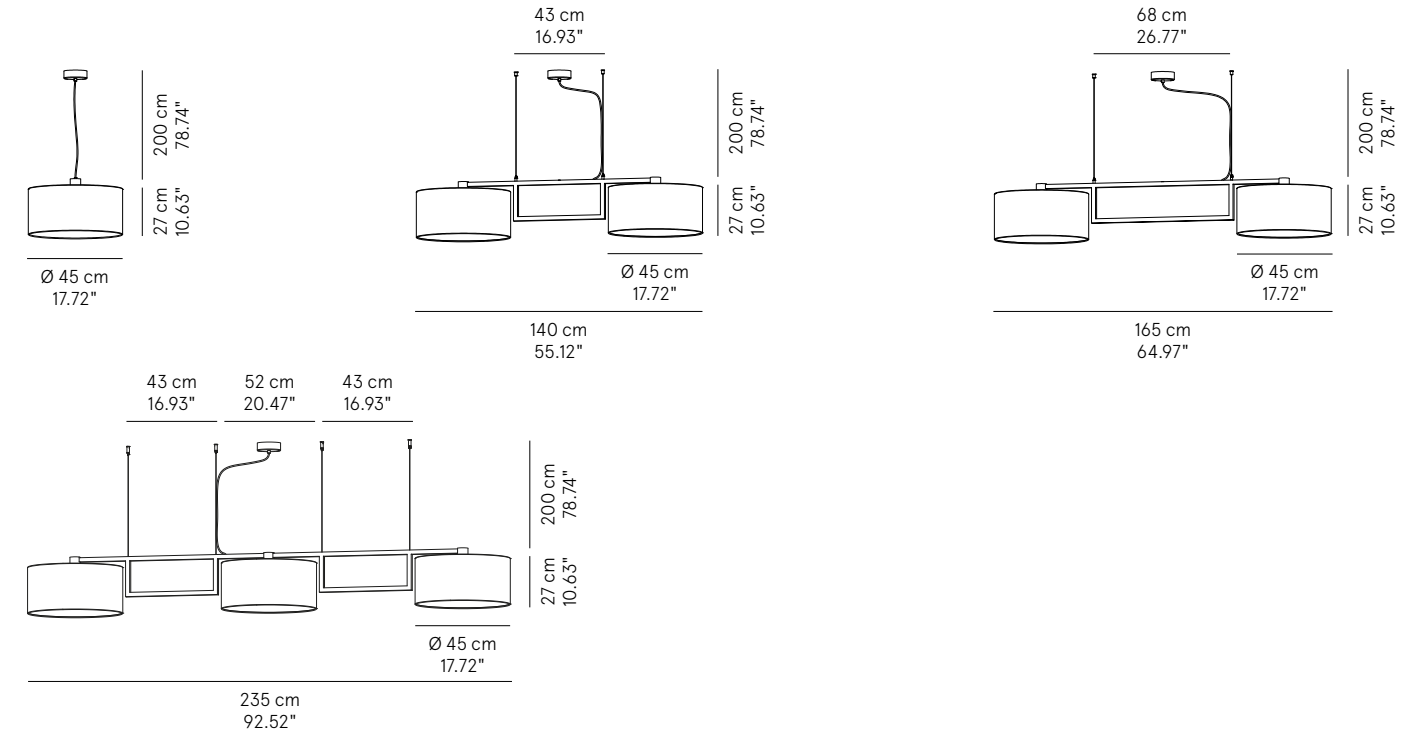


# Gregory



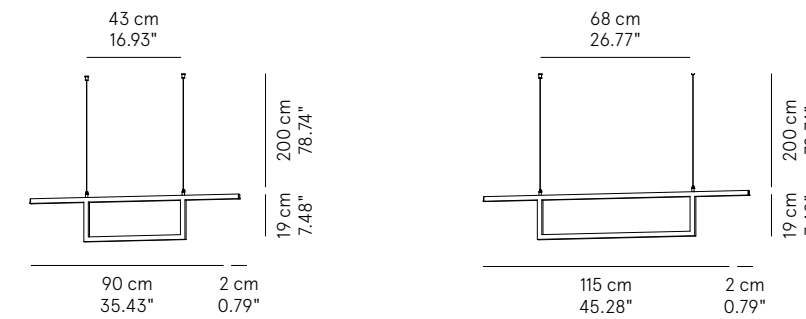
Lamp		Dimensions	Light source
Wall lamp	Greg 45	Ø 45 x 27 cm weight 1 kg	<b>lamp type</b> 1 x E27 <b>max watt</b> 42 W HES <b>DIM</b>
	Greg 140	140 x 45 x 27 cm weight 3 kg	<b>lamp type</b> 2 x E27 <b>max watt</b> 42 W HES <b>DIM</b>
	Greg 165	165 x 45 x 27 cm weight 5 kg	<b>lamp type</b> 2 x E27 <b>max watt</b> 42 W HES <b>DIM</b>
	Greg 235	235 x 45 x 27 cm weight 10 Kg	<b>lamp type</b> 3 x E27 <b>max watt</b> 42 W HES <b>DIM</b>

## Pendant lamp

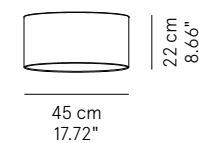


## Composizione personalizzabile / Customizable composition

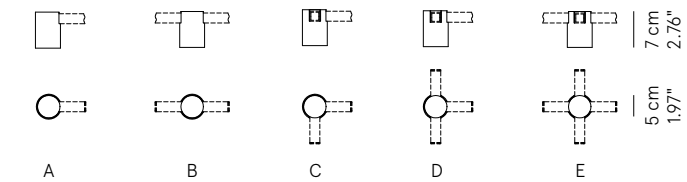
### Struttura / Body



### Paralume / Lampshade



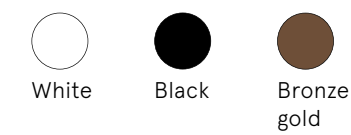
### Giunzione / Junction



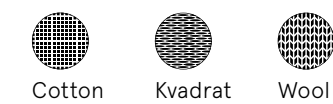
### Finishes

Diffusore in tessuto,  
struttura in metallo/  
Fabric lampshade,  
metal structure

### Body colours



### Diffuser textiles



## Details



White

Black

Bronze gold

Dettaglio rosone/  
Ceiling rose detail

IP20



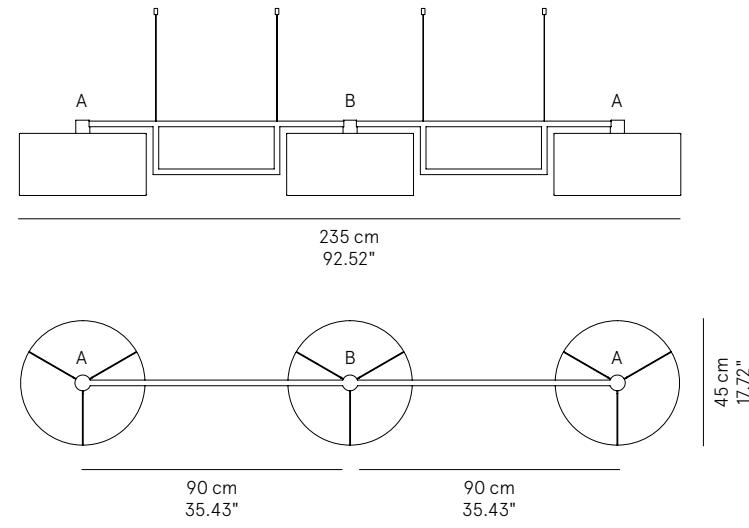
\* on demand  
\*\* cable on measure



Composition examples

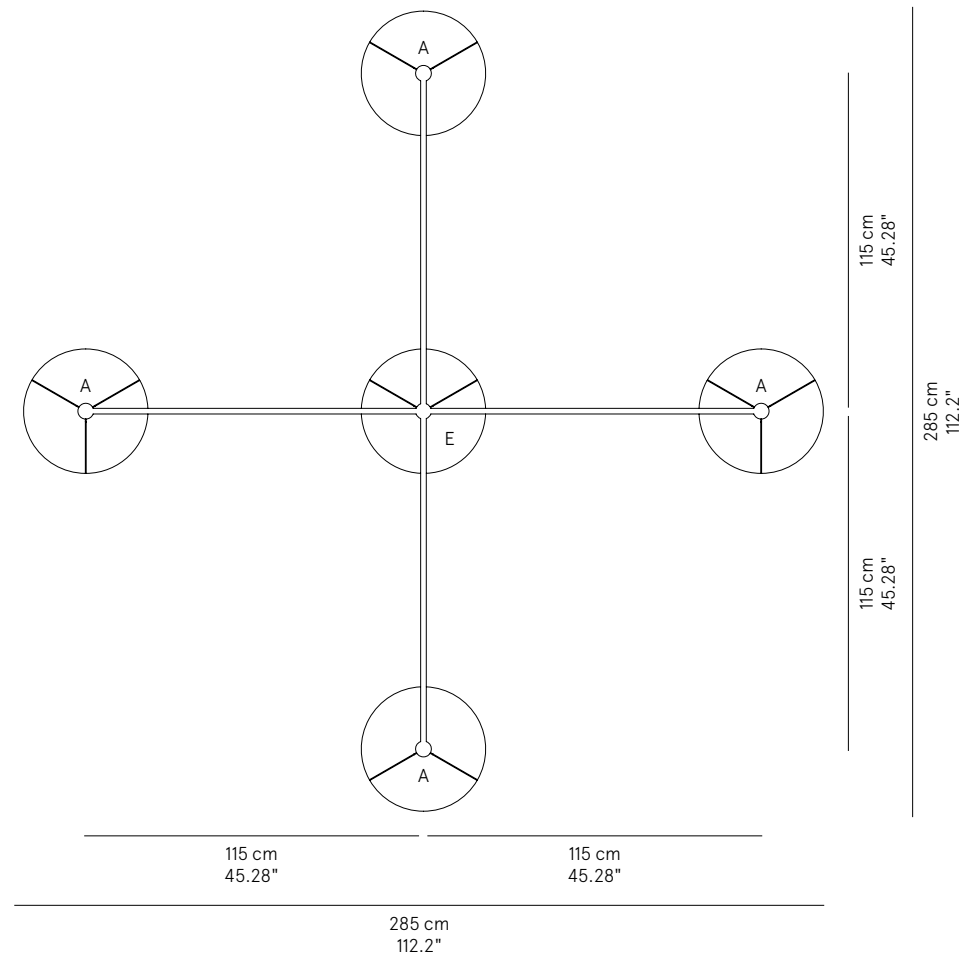
Composition type 1

- Elements:  
 02 junctions A  
 01 junction B  
 02 frames L90  
 03 fabric lampshades



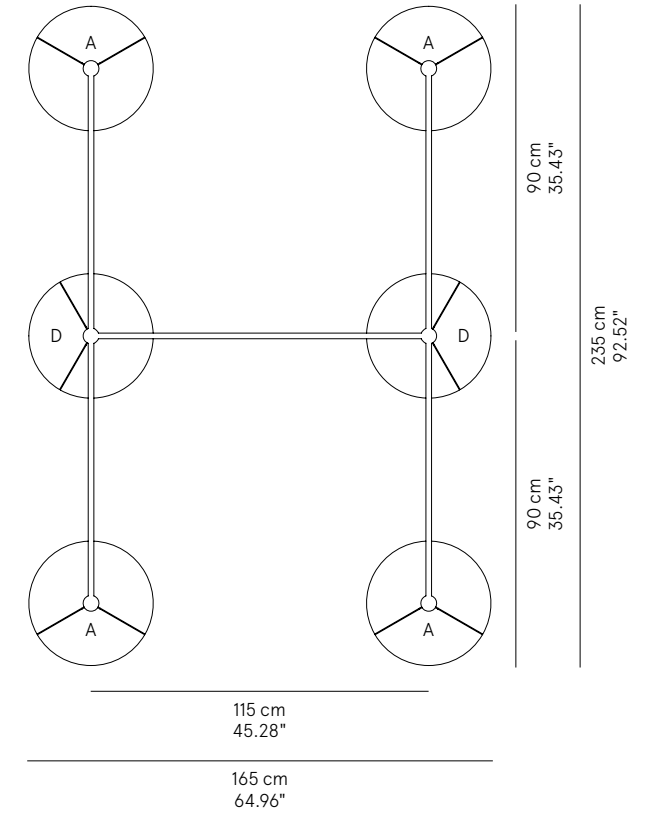
Composition type 2

- Elements:  
 04 junctions A  
 01 junction E  
 04 frames L115  
 05 fabric lampshades



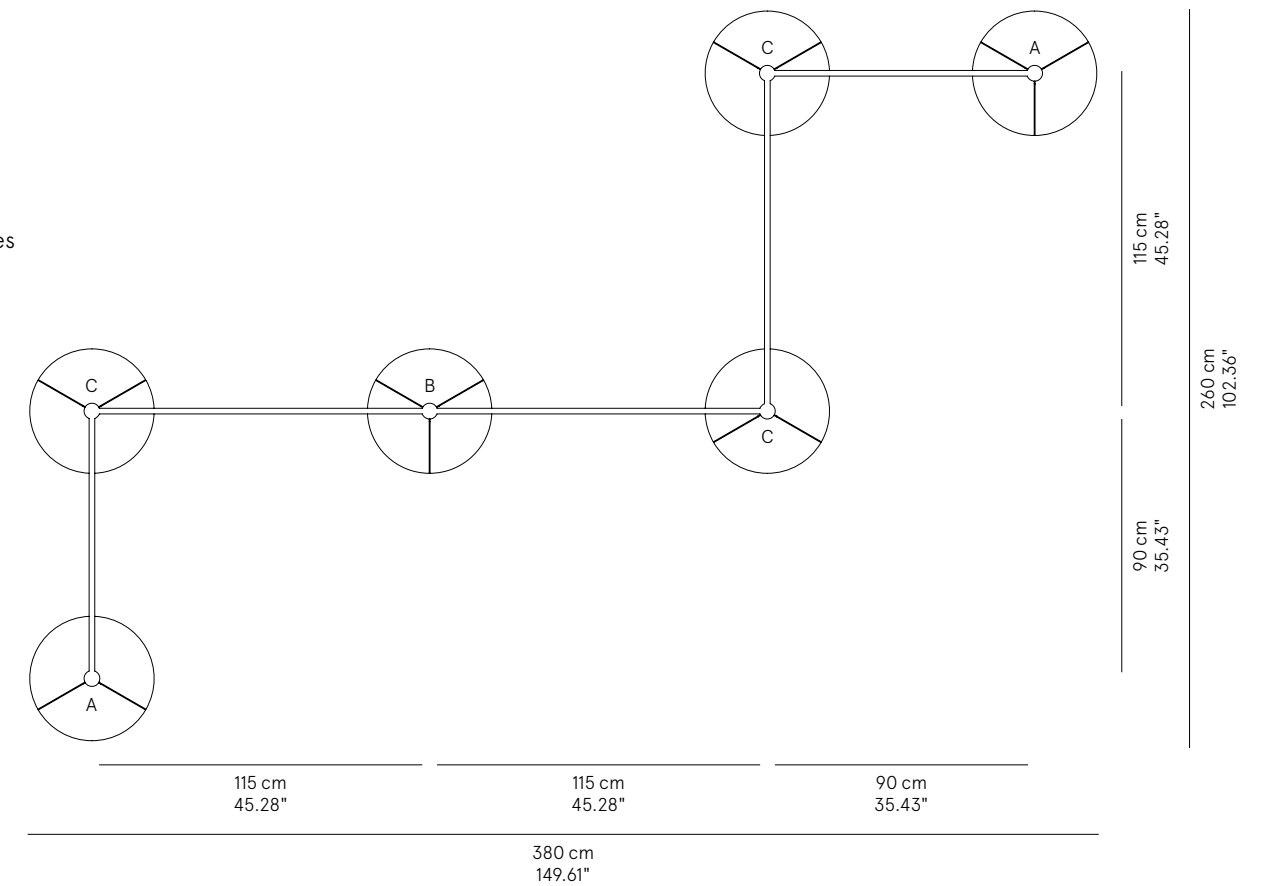
Composition type 3

- Elements:  
 04 junctions A  
 02 junctions D  
 04 frames L90  
 01 frame L115  
 06 fabric lampshades



Composition type 4

- Elements:  
 02 junctions A  
 01 junction B  
 03 junctions C  
 02 frames L90  
 03 frames L115  
 06 fabric lampshades





# Hammer

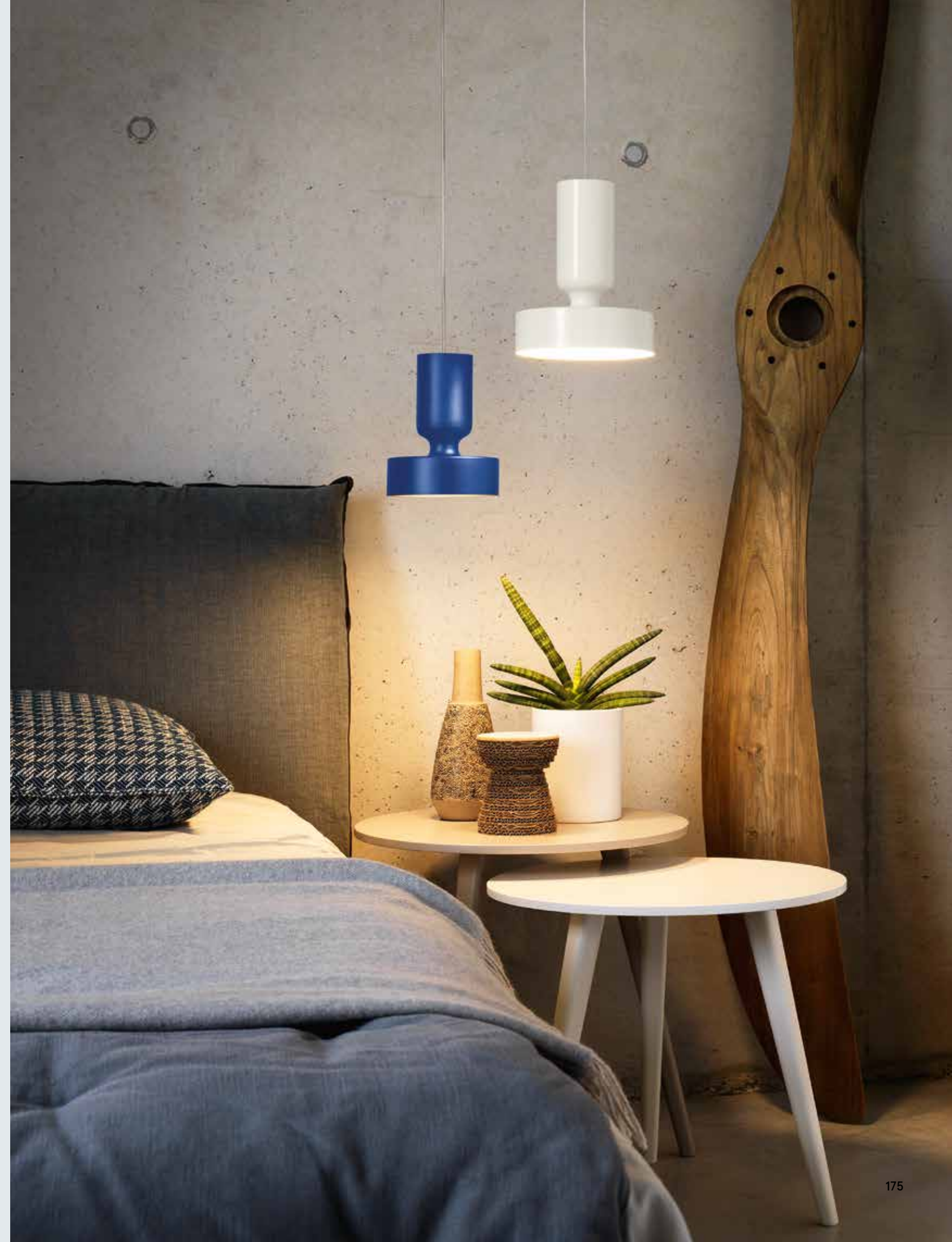


Design by Paolo Grasselli – 2017



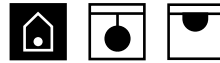
**Non fatevi ingannare dalle sue linee rigorose, con la sua luce LED discreta ma efficace e le forme contenute e affusolate, Hammer crea giochi di luce divertenti e movimentati.**

Do not be deceived by its severe lines, its discrete but effective LED light or its restrained, tapered shapes, Hammer creates fun, dynamic interplays of light.





# Hammer



Lamp		Dimensions	Light source
Pendant lamp	Hammer 15	Ø 15 x 19 cm weight 1,5 kg	<b>lamp type</b> 1 x GU10 <b>max watt</b> 20 W HES <b>DIM</b>
		Ø 15 x 19 cm weight 1,5 kg	<b>lamp type</b> 1 panel LED 9 W <b>luminous efficacy</b> 830 Lm <b>light colour</b> 2800 K <b>DIM</b> DALI - push DIM / TRIAC
	Hammer 18	Ø 18 x 22 cm weight 2 kg	<b>lamp type</b> 1 x GU10 <b>max watt</b> 20 W HES <b>DIM</b>
		Ø 18 x 22 cm weight 2 kg	<b>lamp type</b> 1 panel LED 12 W <b>luminous efficacy</b> 1110 Lm <b>light colour</b> 2800 K <b>DIM</b> DALI - push DIM / TRIAC
	Hammer 30	Ø 30 x 22 cm weight 2,5 kg	<b>lamp type</b> 1 panel LED 24 W <b>luminous efficacy</b> 2150 Lm <b>light colour</b> 2800 K <b>DIM</b> DALI - push DIM / TRIAC
Spotlight	Hammer 15	Ø 15 x 19 cm weight 1 kg	<b>lamp type</b> 1 x GU10 <b>max watt</b> 20 W <b>DIM</b>
		Ø 15 x 19 cm weight 1 kg	<b>lamp type</b> 1 panel LED 9 W <b>luminous efficacy</b> 830 Lm <b>light colour</b> 2800 K <b>DIM</b> DALI - push DIM / TRIAC
	Hammer 18	Ø 18 x 22 cm weight 1,5 kg	<b>lamp type</b> 1 x GU10 <b>max watt</b> 20 W HES <b>DIM</b>
		Ø 18 x 22 cm weight 1,5 kg	<b>lamp type</b> 1 panel LED 12 W <b>luminous efficacy</b> 1110 Lm <b>light colour</b> 2800 K <b>DIM</b> DALI - push DIM / TRIAC
Recessed spotlight	Hammer 15	Ø 15 / 21 x 5 cm weight 1 kg	<b>lamp type</b> 1 x GU10 <b>max watt</b> 20 W HES <b>DIM</b>
		Ø 15 / 21 x 5 cm weight 1 kg	<b>lamp type</b> 1 panel LED 9 W <b>luminous efficacy</b> 830 Lm <b>light colour</b> 2800 K <b>DIM</b> DALI - push DIM / TRIAC
	Hammer 18	Ø 18 / 24 x 5 cm weight 1,5 kg	<b>lamp type</b> 1 x GU10 <b>max watt</b> 20 W HES <b>DIM</b>
		Ø 18 / 24 x 5 cm weight 1,5 kg	<b>lamp type</b> 1 panel LED 12 W <b>luminous efficacy</b> 1110 Lm <b>light colour</b> 2800 K <b>DIM</b> DALI - push DIM / TRIAC

## Details



Dettaglio rosone/  
Ceiling rose detail

## Focus

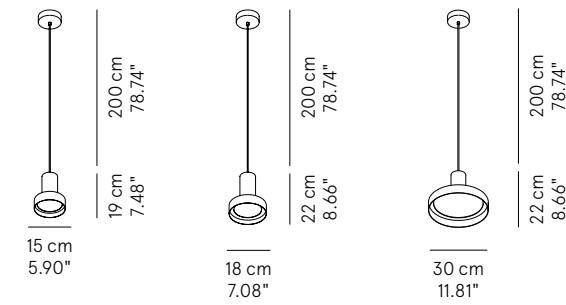


Faretto/  
Spotlight

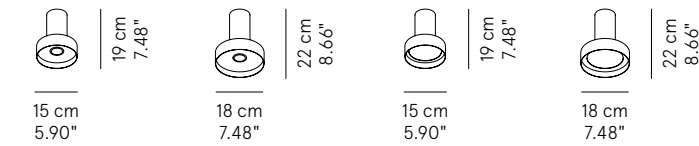


Faretto ad incasso/  
Recessed spotlight

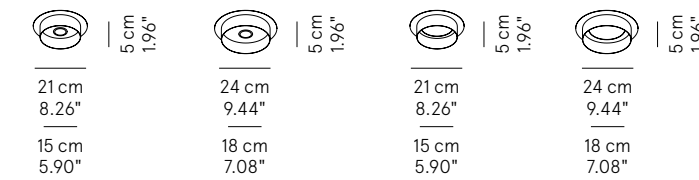
## Pendant lamp



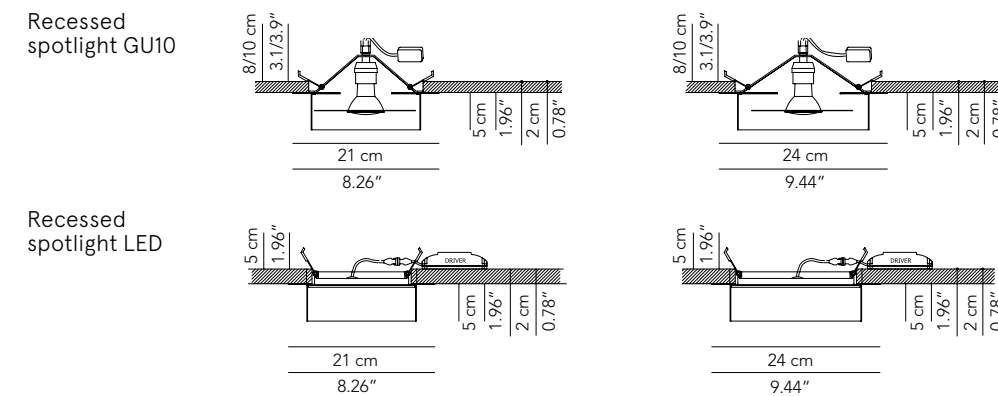
## Spotlight



## Recessed spotlight



## Recessed spotlight details



Foro/  
Hole Hammer 15 Ø 13,5-15 cm Hammer 18 Ø 16-18 cm

## Finishes

Lampada in metallo/  
Metal structure

## Body colours



IP20



\* on demand  
\*\* cable on measure

# Hoop

Design by Modoluce R&D – 2025



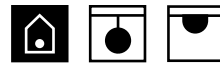
**Un doppio anello in metallo racchiude un cilindro in tessuto che come per magia si libra nell'aria.**

A metal double ring encloses a fabric cylinder that floats in the air as if by magic.





# Hoop



Lamp		Dimensions	Light source
Pendant lamp Ceiling lamp	Hoop 66	Ø 66 x 16 cm weight 10 kg	<b>lamp type</b> 3 x E27 <b>max watt</b> 3 x 70 W HES <b>DIM</b>
		Ø 66 x 16 cm weight 10 kg	<b>lamp type</b> 1 LED module 23W / 57 W <b>luminous efficacy</b> 3628 Lm / 8750 Lm <b>light colour</b> 2700 K <b>DIM</b> DALI - push DIM / TRIAC
	Hoop 80	Ø 80 x 16 cm weight 15 Kg	<b>lamp type</b> 4 x E27 <b>max watt</b> 4 x 70 W HES <b>DIM</b>
		Ø 80 x 16 cm weight 15 Kg	<b>lamp type</b> 1 LED module 23W / 57 W <b>luminous efficacy</b> 3628 Lm / 8750 Lm <b>light colour</b> 2700 K <b>DIM</b> DALI - push DIM / TRIAC
	Hoop 100	Ø 100 x 22 cm Weight 20 Kg	<b>lamp type</b> 4 x E27 <b>max watt</b> 4 x 70 W HES <b>DIM</b>
		Ø 100 x 22 cm Weight 20 Kg	<b>lamp type</b> 1 LED module 23W / 57 W <b>luminous efficacy</b> 3628 Lm / 8750 Lm <b>light colour</b> 2700 K <b>DIM</b> DALI - push DIM / TRIAC
	Hoop 130	Ø 130 x 22 cm Weight 30 Kg	<b>Lamp type</b> 6 x E27 <b>Max watt</b> 6 x 70 W HES <b>DIM</b>
		Ø 130 x 22 cm Weight 30 Kg	<b>Lamp type</b> 1 LED module 88,2 W <b>Luminous efficacy</b> 12380 Lm <b>Light colour</b> 2700K <b>DIM</b> DALI - push DIM

## Details



White

Graphite

Bronze

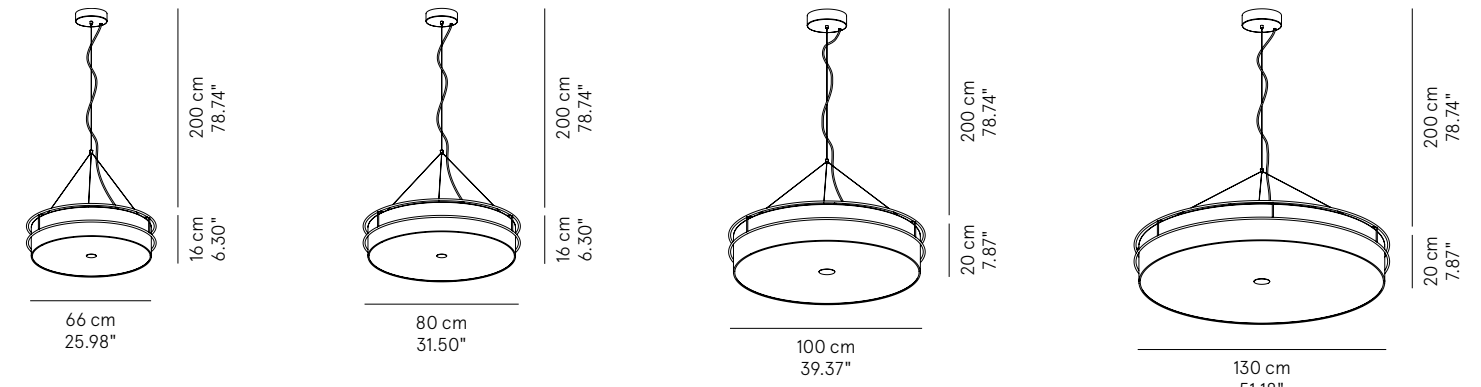
Dettaglio rosone/  
Ceiling rose detail

## Focus

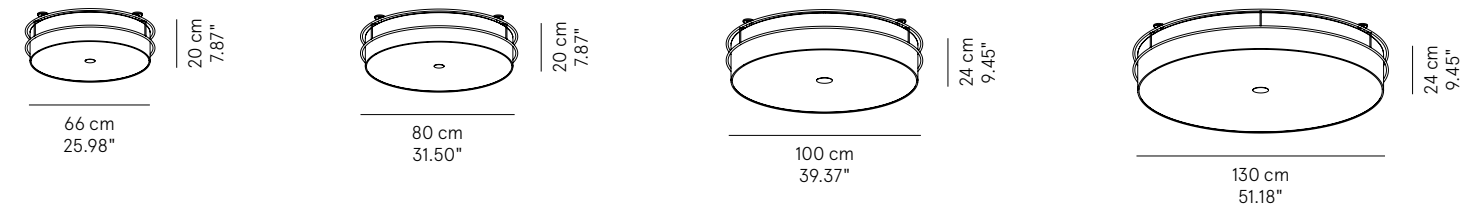


Versione plafoniera/  
Ceiling lamp

## Pendant lamp



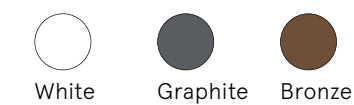
## Ceiling lamp



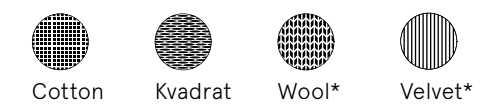
## Finishes

Diffusore in tessuto,  
struttura in metallo /  
Fabric lampshade,  
metal structure

## Body colours



## Diffuser textiles



\* on demand

IP20



\* on demand

\*\* cable on measure

# Icaro

Design by Brian Rasmussen — 2011

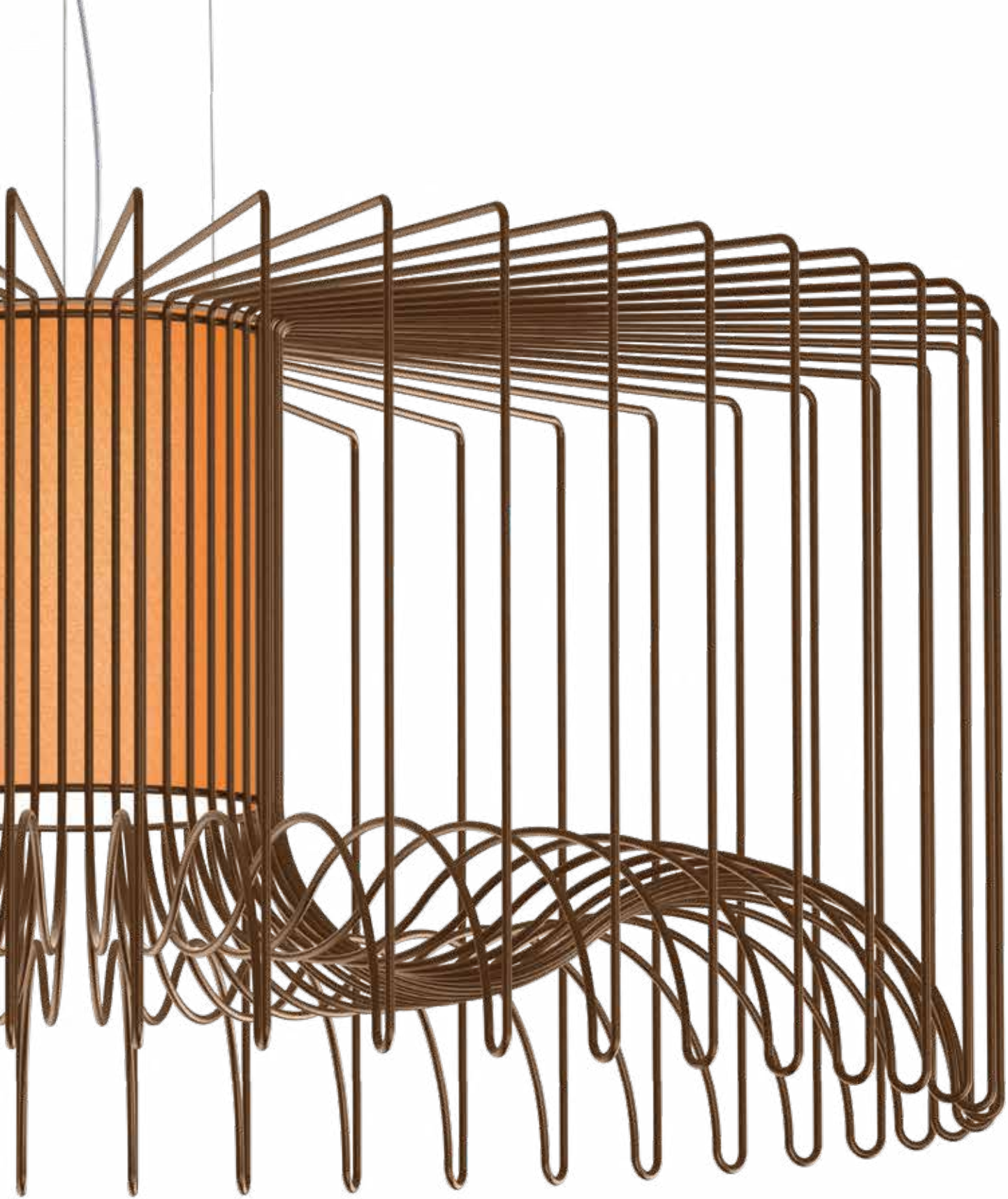
OUTDOOR   



Quando un'idea è forte non servono molti elementi per raccontarla, come in Icaro.

A powerful idea doesn't need many different elements, just like Icaro.







# Icaro Outdoor

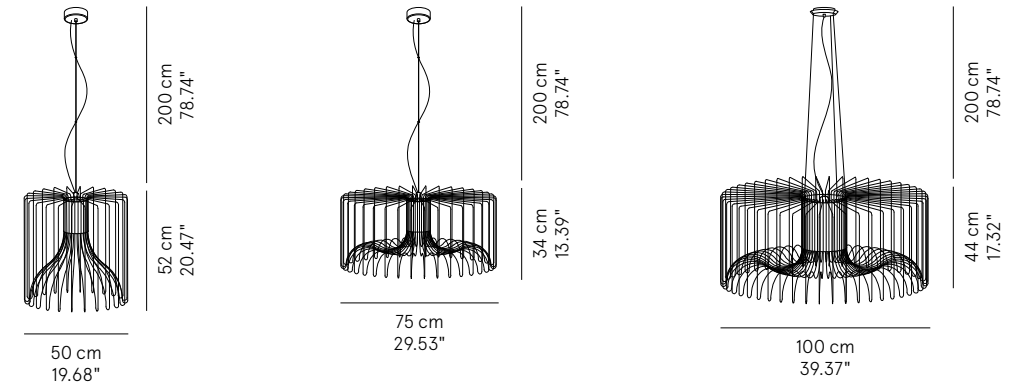


# Icaro

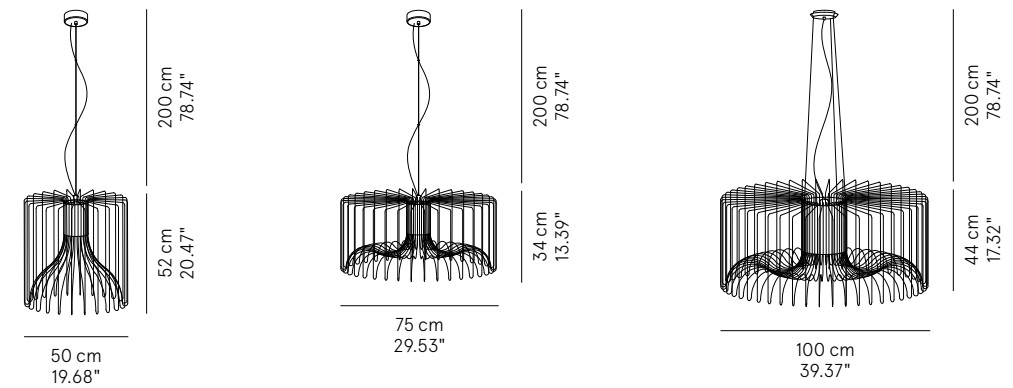


Lamp		Dimensions	Light source
Pendant lamp	Icaro 50	Ø 50 x 52 cm weight 6 kg	<b>lamp type</b> 1 x E27 <b>max watt</b> 42 W HES <b>DIM</b>
	Icaro 75	Ø 75 x 34 cm weight 10 kg	<b>lamp type</b> 1 x E27 <b>max watt</b> 42 W HES <b>DIM</b>
	Icaro 100	Ø 100 x 44 cm weight 20 kg	<b>lamp type</b> 1 x E27 <b>max watt</b> 70 W HES <b>DIM</b>
Pendant lamp outdoor	Icaro 50	Ø 50 x 52 cm weight 6 kg	<b>lamp type</b> 1 x E27 <b>max watt</b> 42 W HES <b>DIM</b>
	Icaro 75	Ø 75 x 34 cm weight 10 kg	<b>lamp type</b> 1 x E27 <b>max watt</b> 42 W HES <b>DIM</b>
	Icaro 100	Ø 100 x 44 cm weight 20 kg	<b>lamp type</b> 1 x E27 <b>max watt</b> 70 W HES <b>DIM</b>

## Pendant lamp indoor



## Pendant lamp outdoor



## Details



Dettaglio rosone indoor/  
Ceiling rose indoor detail

Icaro 100 indoor  
Dettaglio rosone/  
Ceiling rose indoor detail

Particolare finitura in bianco/  
White finish detail

Particolare finitura in nero/  
Black finish detail

Particolare finitura in bronzo/  
Bronze finish detail



Dettaglio rosone outdoor/  
Ceiling rose outdoor detail

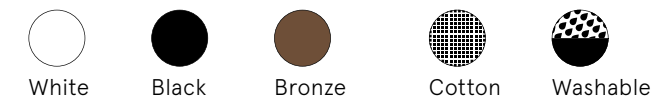


Icaro 100 outdoor  
Dettaglio rosone/  
Ceiling rose outdoor detail

## Indoor finishes

Lampada in metallo/  
Metal structure

## Body colours



## Diffuser textiles

IP20



\* on demand  
\*\* cable on measure

## Outdoor finishes

Lampada in metallo/  
Metal structure

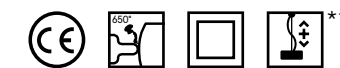
## Body Colours



## Diffuser textiles

Metalli protetti con primer anticorrosivo e vernici a base poliestere a grande resistenza/  
Metal parts protected with anticorrosive primer and resistant polyester coating

IP44/IP64



\*\* cable on measure

# Icaro Ball

Design by Brian Rasmussen — 2011

OUTDOOR   



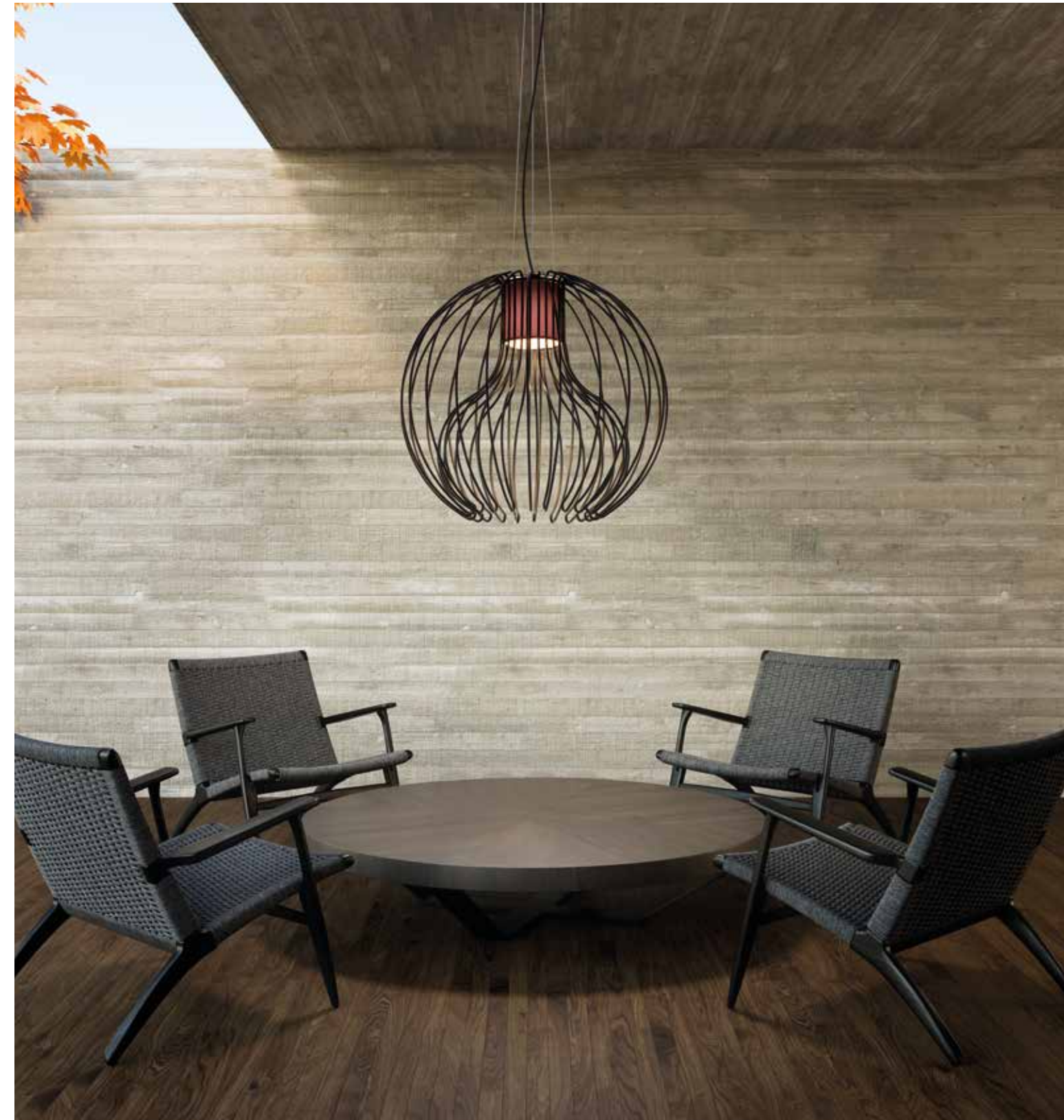
**La fantasia vola con questa lampada che racchiude in sé la forza e la bellezza dei miti del passato anche in versione outdoor.**

This lamp lets your imagination soar, and embodies the strength and beauty of legends from the past.





# Icaro Ball Outdoor

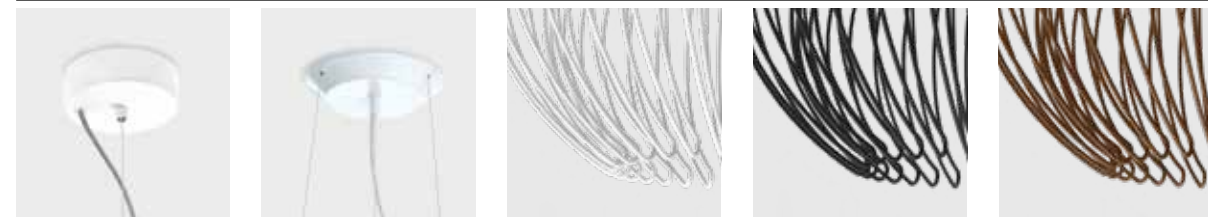


# Icaro Ball



Lamp		Dimensions	Light source
Pendant lamp Indoor	Icaro Ball 50	Ø 50 x 48 cm weight 6 kg	<b>lamp type</b> 1 x E27 <b>max watt</b> 42 W HES <b>DIM</b>
	Icaro Ball 60	Ø 60 x 57 cm weight 10 kg	<b>lamp type</b> 1 x E27 <b>max watt</b> 42 W HES <b>DIM</b>
	Icaro Ball 75	Ø 75 x 70 cm weight 15 kg	<b>lamp type</b> 1 x E27 <b>max watt</b> 42 W HES <b>DIM</b>
	Icaro Ball 90	Ø 90 x 82 cm weight 25 kg	<b>lamp type</b> 1 x E27 <b>max watt</b> 70 W HES <b>DIM</b>
Pendant lamp outdoor	Icaro Ball 50	Ø 50 x 48 cm weight 6 kg	<b>lamp type</b> 1 x E27 <b>max watt</b> 42 W HES <b>DIM</b>
	Icaro Ball 60	Ø 60 x 57 cm weight 10 kg	<b>lamp type</b> 1 x E27 <b>max watt</b> 42 W HES <b>DIM</b>
	Icaro Ball 75	Ø 75 x 70 cm weight 15 kg	<b>lamp type</b> 1 x E27 <b>max watt</b> 42 W HES <b>DIM</b>
	Icaro Ball 90	Ø 90 x 82 cm weight 25 kg	<b>lamp type</b> 1 x E27 <b>max watt</b> 70 W HES <b>DIM</b>

## Details



Dettaglio rosone indoor/  
Ceiling rose indoor detail

Icaro ball 90 indoor  
Dettaglio rosone/  
Ceiling rose indoor detail

Particolare finitura in bianco/  
White finish detail

Particolare finitura in nero/  
Black finish detail

Particolare finitura in bronzo/  
Bronze finish detail

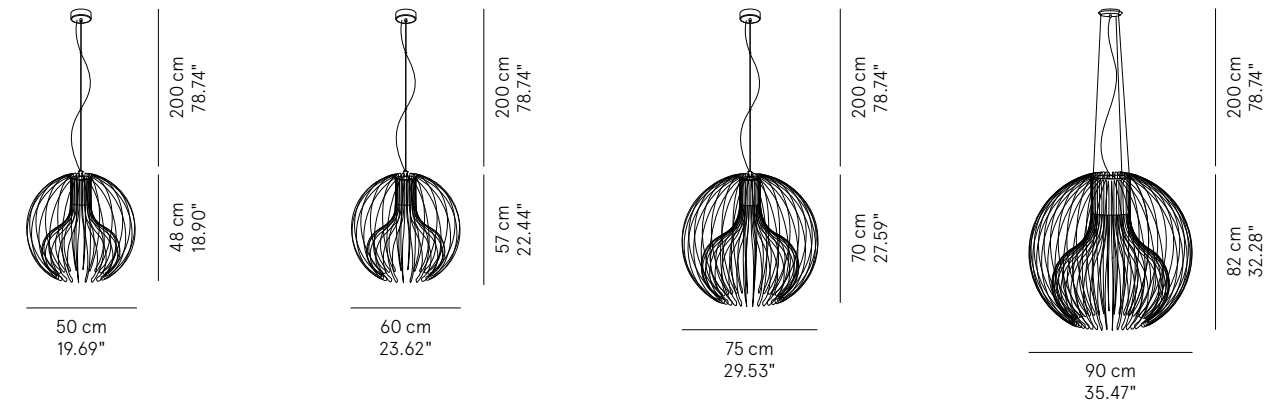


Dettaglio rosone outdoor/  
Ceiling rose outdoor detail

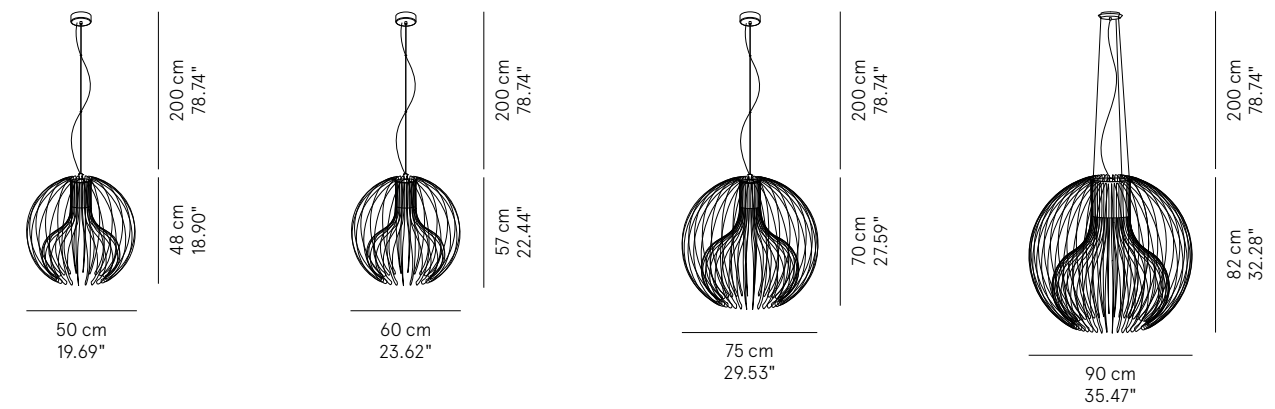


Icaro ball 90 outdoor  
Dettaglio rosone/  
Ceiling rose outdoor detail

## Pendant lamp



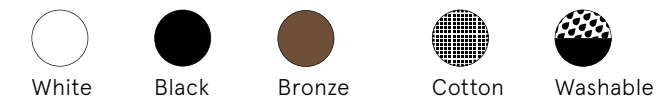
## Pendant lamp outdoor



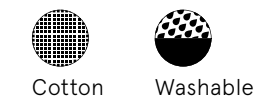
## Indoor Finishes

Lampada in metallo/  
Metal structure

## Body colours



## Diffuser textiles



IP20



\* on demand  
\*\* cable on measure

## Outdoor Finishes

Lampada in metallo/  
Metal structure

## Body colours



## Diffuser textiles



Metalli protetti con primer anticorrosivo e vernici a base poliestere a grande resistenza/  
Metal parts protected with anticorrosive primer and resistant polyester coating

IP44/IP64



\*\* cable on measure

# Idea

ACOUSTIC COMFORT     

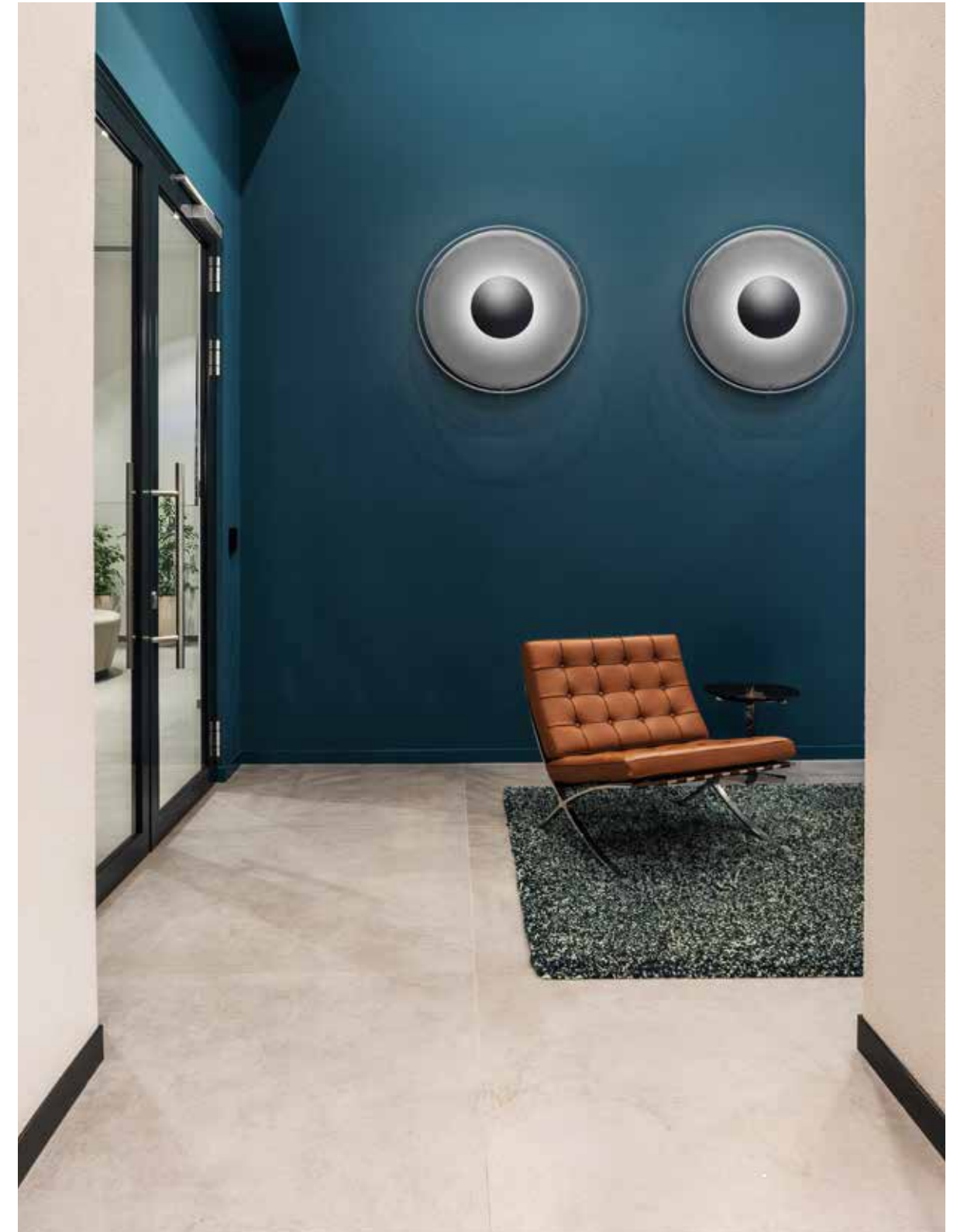
Design by Paolo Grasselli – 2019



**Leggere strutture in metallo incorniciano dischi in tessuto che accolgono al centro il corpo illuminante. Idea arreda lo spazio in modo inedito e originale.**

Lightweight metal structures frame fabric discs, at the centre of which is the light source itself. Idea creates a unique and original decor in any space.







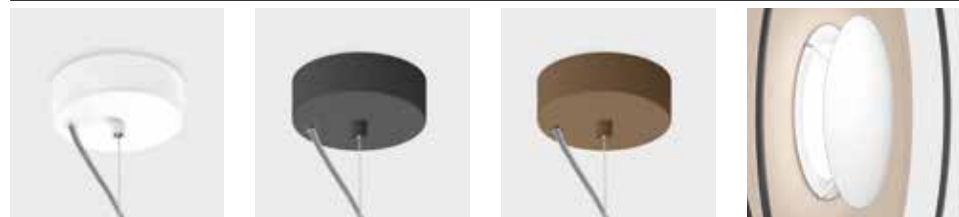
# Idea

ACOUSTIC COMFORT



Lamp	Dimensions	Light source
Pendant lamp	Idea 66 Ø 66 x 10 cm weight 10 kg	<b>lamp type</b> 1 panel LED 18 W <b>luminous efficacy</b> 1660 Lm <b>light colour</b> 2800 K <b>DIM</b> DALI - push DIM
	Idea 80 Ø 80 x 10 cm weight 15 kg	<b>lamp type</b> 1 panel LED 24 W <b>luminous efficacy</b> 2150 Lm <b>light colour</b> 2800 K <b>DIM</b> DALI - push DIM
	Idea 100 Ø 100 x 10 cm weight 18 kg	<b>lamp type</b> 1 panel LED 24 W <b>luminous efficacy</b> 2150 Lm <b>light colour</b> 2800 K <b>DIM</b> DALI - push DIM
	Idea 130 Ø 130 x 10 cm weight 25 kg	<b>lamp type</b> 1 panel LED 24 W <b>luminous efficacy</b> 2150 Lm <b>light colour</b> 2800 K <b>DIM</b> DALI - push DIM
Ceiling lamp Wall lamp	Idea 66 Ø 66 x 13 cm weight 10 kg	<b>lamp type</b> 1 panel LED 18 W <b>luminous efficacy</b> 1660 Lm <b>light colour</b> 2800 K <b>DIM</b> DALI - push DIM
	Idea 80 Ø 80 x 13 cm weight 15 kg	<b>lamp type</b> 1 panel LED 24 W <b>luminous efficacy</b> 2150 Lm <b>light colour</b> 2800 K <b>DIM</b> DALI - push DIM
	Idea 100 Ø 100 x 13 cm weight 18 kg	<b>lamp type</b> 1 panel LED 24 W <b>luminous efficacy</b> 2150 Lm <b>light colour</b> 2800 K <b>DIM</b> DALI - push DIM
	Idea 130 Ø 130 x 13 cm weight 25 kg	<b>lamp type</b> 1 panel LED 24 W <b>luminous efficacy</b> 2150 Lm <b>light colour</b> 2800 K <b>DIM</b> DALI - push DIM

## Details



White

Graphite

Bronze

Dettaglio accessorio antiabbaglio/  
Anti-glare accessory detail

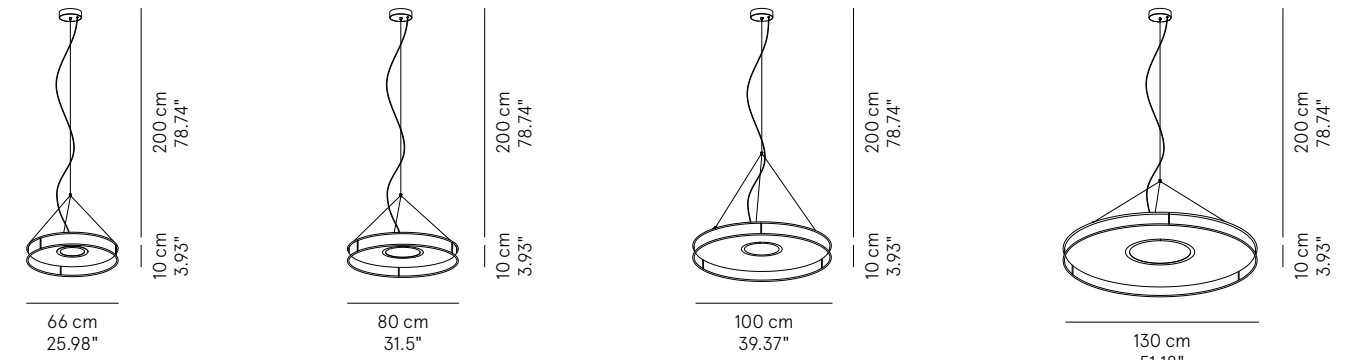
Dettaglio rosone/  
Ceiling rose detail

## Focus

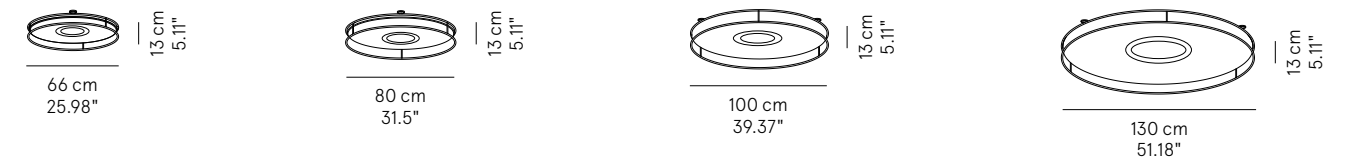


Versione plafoniera/  
Ceiling-wall lamp

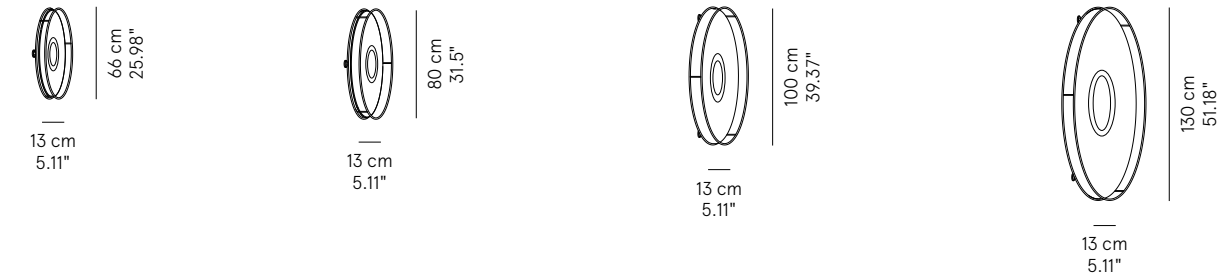
## Pendant lamp



## Ceiling lamp



## Wall lamp



## Anti-glare accessory



6/10 cm  
2.3/3.9"

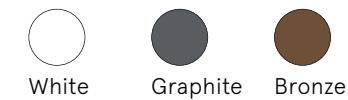
## Finishes

Lampada in metallo,  
dischi in tessuto/  
Metal structure,  
fabric disks

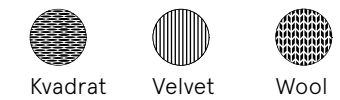
Luce diretta/  
Direct light

IP20

## Body colours



## Diffuser textiles



\* on demand  
\*\* cable on measure

# Loto



Design by Romano + Menegon — 2008



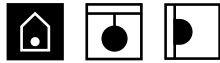
**Una famiglia di lampade dove domina la leggerezza e allo stesso tempo la forza.**

With the Loto family of lamps, light weight prevails and becomes a source of strength.









Lamp	Dimensions	Light source		
Pendant lamp	Loto 16	Ø 16 x 14 cm weight 0,7 kg	<b>lamp type</b> 1 x E14 <b>max watt</b> 1 x 42 W HES	<b>DIM</b>
		Ø 16 x 14 cm weight 0,7 kg	<b>lamp type</b> 1 LED module 8 W <b>luminous efficacy</b> 1250 Lm <b>light colour</b> 2700 K	<b>DIM DALI</b> - push DIM / TRIAC
Loto 60	Ø 60 x 31 cm weight 3 kg	<b>lamp type</b> 3 x E27 <b>max watt</b> 3 x 70 W HES	<b>DIM</b>	
	Ø 60 x 31 cm weight 3 kg	<b>lamp type</b> 1 LED module 23 W <b>luminous efficacy</b> 3628 Lm <b>light colour</b> 2700 K	<b>DIM DALI</b> - push DIM / TRIAC	
Loto 80	Ø 80 x 35 cm weight 5 kg	<b>lamp type</b> 4 x E27 <b>max watt</b> 4 x 70 W HES	<b>DIM</b>	
	Ø 80 x 35 cm weight 5 kg	<b>lamp type</b> 1 LED module 23 W <b>luminous efficacy</b> 3628 Lm <b>light colour</b> 2700 K	<b>DIM DALI</b> - push DIM / TRIAC	
Loto 100	Ø 100 x 35 cm weight 7 kg	<b>lamp type</b> 4 x E27 <b>max watt</b> 4 x 70 W HES	<b>DIM</b>	
	Ø 100 x 35 cm weight 7 kg	<b>lamp type</b> 1 LED module 23 W / 57 W <b>luminous efficacy</b> 3628 Lm / 8750 Lm <b>light colour</b> 2700 K	<b>DIM DALI</b> - push DIM / TRIAC	
Loto 140	Ø 140 x 60 cm weight 20 kg	<b>lamp type</b> 6 x E27 <b>max watt</b> 6 x 105 W HES	<b>DIM</b>	
	Ø 140 x 60 cm weight 20 kg	<b>lamp type</b> 1 LED module 57/88,2 W <b>luminous efficacy</b> 8750/12380 Lm <b>light colour</b> 2700 K	<b>DIM DALI</b> - push DIM	
Loto mega	Ø 140 x 115 cm weight 30 kg	<b>lamp type</b> 1 LED module 57 W <b>luminous efficacy</b> 8750 Lm <b>light colour</b> 2700 K	<b>DIM DALI</b> - push DIM / TRIAC	
	Ø 140 x 160 cm weight 40 kg	<b>lamp type</b> 1 LED module 88 W <b>luminous efficacy</b> 12380 Lm <b>light colour</b> 2700 K	<b>DIM DALI</b> - push DIM	
Wall lamp	Ø 16 x 24 x 24 cm weight 0,45 kg	<b>lamp type</b> 1 x E14 <b>max watt</b> 42 W HES	<b>DIM</b>	

Details



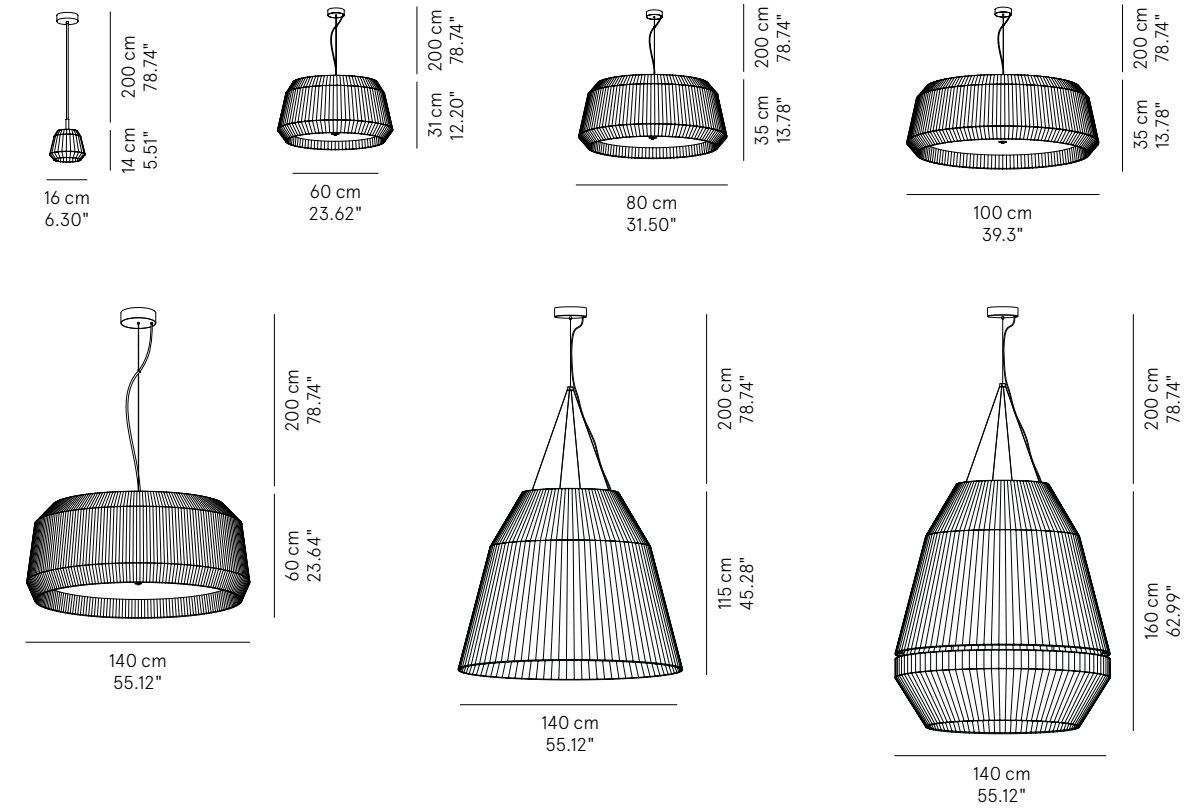
Dettaglio rosone Ø16/  
Ceiling rose detail

Dettaglio rosone/  
Ceiling rose detail

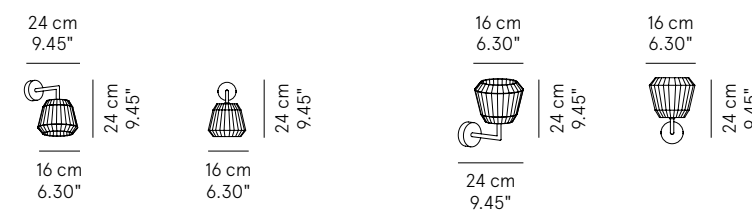
Appliche senza  
interruttore/  
Wall lamp without  
switch detail

Particolare appliche  
con interruttore/  
Wall lamp with switch  
detail

Pendant lamp



Wall lamp



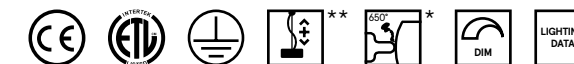
Finishes

Lampada in tessuto/  
Fabric lampshade

Diffuser textiles



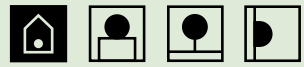
IP20



\* on demand  
\*\* cable on measure

# Lucilla

Design by Paolo Grasselli – 2009

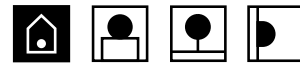


**Luce d'atmosfera, forma semplice, non banale, costituita da una struttura in metallo che sostiene un paralume a forma conica in tessuto.**

Mood lighting with Lucilla. A metal structure supporting a conical textile lampshade forms a simple but not trivial shape.

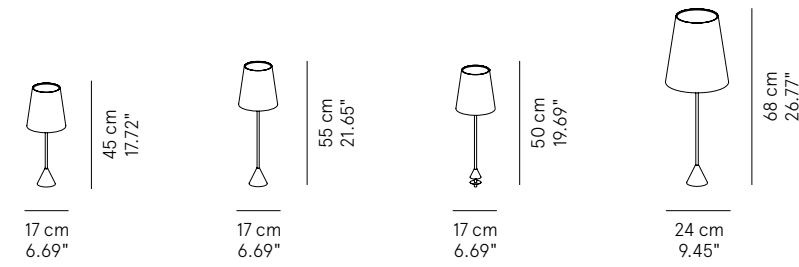


# Lucilla

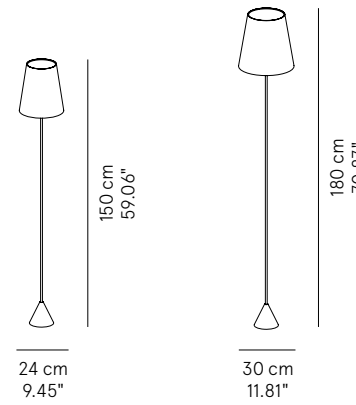


Lamp	Dimensions	Light source
Small table lamp	Ø 17 x 45 cm	lamp type 1 x E14 max watt 42 W HES DIM
Console lamp	Ø 17 x 55 cm	lamp type 1 x E14 max watt 42 W HES DIM
Office lamp	Ø 17 x 50 cm	lamp type 1 x E14 max watt 42 W HES DIM
Table lamp	Ø 24 x 68 cm	lamp type 1 x E27 max watt 52 W HES DIM
Reading lamp	Ø 24 x 150 cm	lamp type 1 x E27 max watt 52 W HES DIM
Floor lamp	Ø 30 x 180 cm	lamp type 1 x E27 max watt 70 W HES DIM
Wall lamp	Ø 17 x 24 x 26 cm weight 0,4 kg	lamp type 1 x E14 max watt 42 W HES DIM

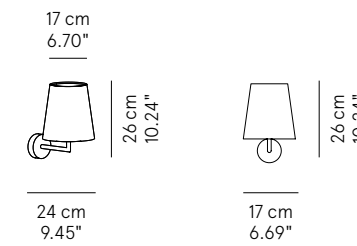
## Table lamp



## Floor lamp



## Wall lamp



## Details



Particolare accensione lampada da tavolino/  
Lighting switch detail of small table lamp



Particolare base lampada office/  
Office lamp base detail



Appliche senza interruttore/  
Wall lamp without switch



Particolare applique con interruttore/  
Wall lamp with switch detail

## Finishes

Diffusore in tessuto,  
struttura in metallo/  
Fabric lampshade,  
metal structure

## Body colours

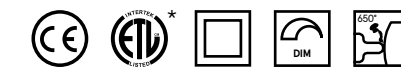


## Diffuser textiles



\* on demand

IP20



\* on demand



# Milleluci

ACOUSTIC COMFORT

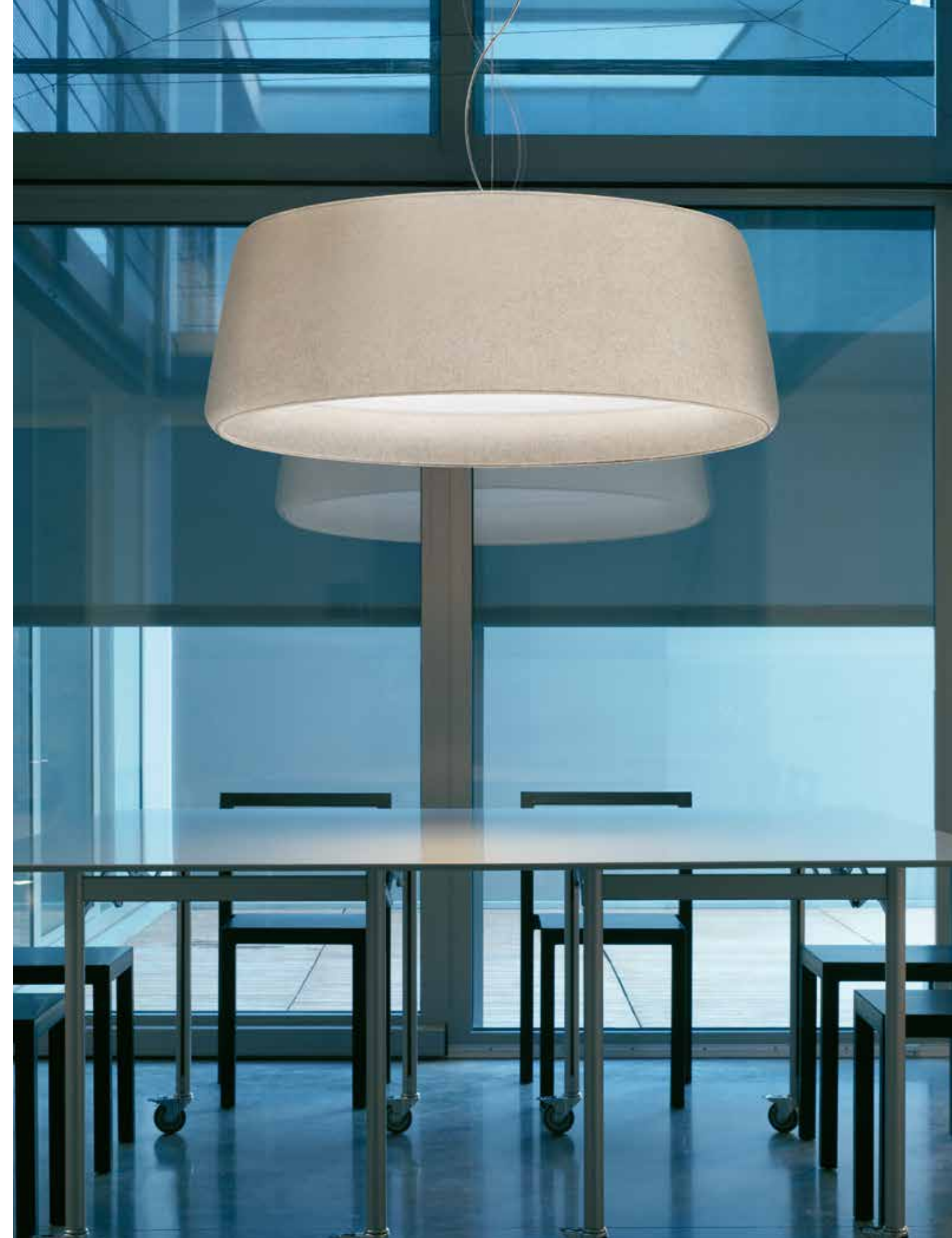


Design by Modo Luce R&D – 2002



Milleluci si caratterizza per essere una variante dai dettagli più ricchi e dal tocco contemporaneo del paralume classico.

The distinguishing features of these pendant lamps are the rich detail and the contemporary feel of the classic lampshade.





# Milleluci

ACOUSTIC COMFORT   

Lamp	Dimensions	Light source
Pendant lamp Milleluci 80 Milleluci soft 85	Ø 80 x 45 cm / Ø 85 x 44 cm weight 10 kg	<b>lamp type</b> 4 x E27 <b>max watt</b> 4 x 70 W HES <b>DIM</b>
	Ø 80 x 45 cm / Ø 85 x 44 cm weight 10 kg	<b>lamp type</b> 1 LED module 23 W <b>luminous efficacy</b> 3628 Lm <b>light colour</b> 2700 K <b>DIM</b> DALI - push DIM / TRIAC
Milleluci 100	Ø 100 x 35 cm weight 12 kg	<b>lamp type</b> 4 x E27 <b>max watt</b> 4 x 70 W HES <b>DIM</b>
	Ø 100 x 35 cm weight 12 kg	<b>lamp type</b> 1 LED module 23 W / 57 W <b>luminous efficacy</b> 3628 Lm / 8750 Lm <b>light colour</b> 2700 K <b>DIM</b> DALI - push DIM / TRIAC
	Ø 100 x 60 cm weight 15 kg	<b>lamp type</b> 4 x E27 <b>max watt</b> 4 x 70 W HES <b>DIM</b>
	Ø 100 x 60 cm weight 15 kg	<b>lamp type</b> 1 LED module 23 W / 57 W <b>luminous efficacy</b> 3628 Lm / 8750 Lm <b>light colour</b> 2700 K <b>DIM</b> DALI - push DIM / TRIAC
Milleluci 120 Milleluci soft 125	Ø 120 x 60 cm / Ø 125 x 44 cm weight 20 kg	<b>lamp type</b> 4 x E27 <b>max watt</b> 4 x 70 W HES <b>DIM</b>
	Ø 120 x 60 cm / Ø 125 x 44 cm weight 20 kg	<b>lamp type</b> 1 LED module 23 W / 88,2 W <b>luminous efficacy</b> 3628 Lm / 12380 Lm <b>light colour</b> 2700 K <b>DIM</b> DALI - push DIM / TRIAC
Milleluci 150 Milleluci soft 145	Ø 150 x 60 cm / Ø 145 x 44 cm weight 30 kg	<b>lamp type</b> 6 x E27 <b>max watt</b> 6 x 70 W HES <b>DIM</b>
	Ø 150 x 60 cm / Ø 145 x 44 cm weight 30 kg	<b>lamp type</b> 1 LED module 88,2 W <b>luminous efficacy</b> 12380 Lm <b>light colour</b> 2700 K <b>DIM</b> DALI - push DIM

## Details

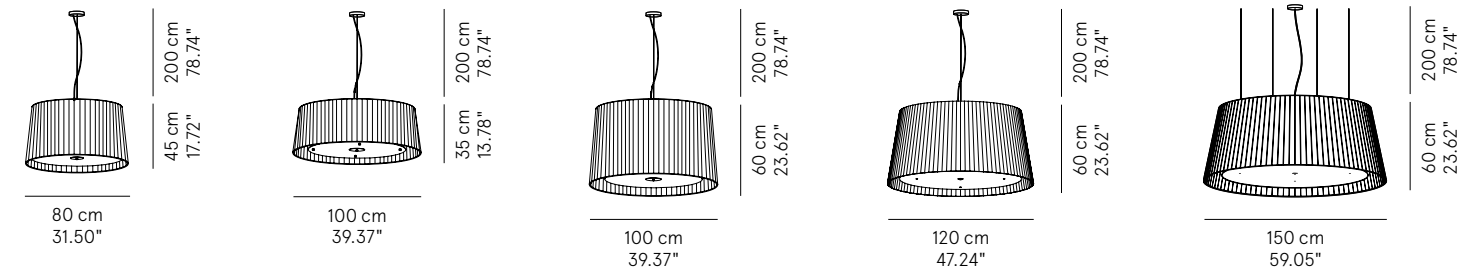


Dettaglio rosone/  
Ceiling rose detail

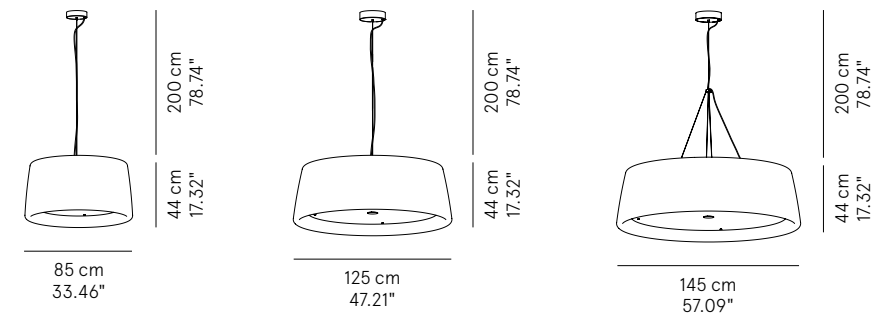


Milleluci 150  
Dettaglio rosone/  
Ceiling rose detail

## Pendant lamp



## Milleluci soft



## Finishes

Lampada in tessuto/  
Fabric lampshade

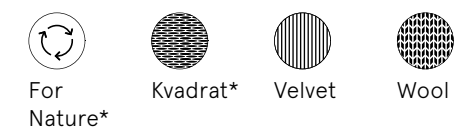
## Milleluci diffuser textiles



\* on demand

Altri colori e tessuti  
disponibili su richiesta /  
Other colors and fabrics  
available on request

## Milleluci soft diffuser textiles



\* on demand

IP20



\* on demand

\*\* cable on measure

# Mood



Design by Romano + Menegon – 2014

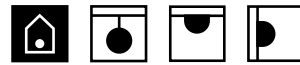


**Un armonioso ritmo di proporzioni per un design futuristico, un vero e proprio raggio di colore che si diffonde in tutto l'ambiente.**

A futuristic design with a harmonious sense of proportion, a veritable ray of colour that spreads throughout the environment.

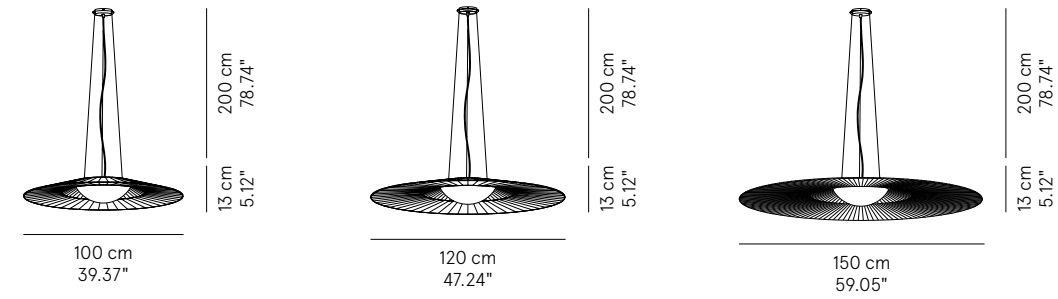


# Mood



Lamp		Dimensions	Light source
Pendant lamp	Mood 100	Ø 100 x 13 cm weight 5 kg	<b>lamp type</b> 1 LED module 23 W <b>luminous efficacy</b> 3628 Lm <b>light colour</b> 2700 K <b>DIM</b> DALI - push DIM / TRIAC
	Mood 120	Ø 120 x 13 cm weight 6 kg	<b>lamp type</b> 1 LED module 23 W <b>luminous efficacy</b> 3628 Lm <b>light colour</b> 2700 K <b>DIM</b> DALI - push DIM / TRIAC
	Mood 150	Ø 150 x 13 cm weight 10 kg	<b>lamp type</b> 1 LED module 23 W <b>luminous efficacy</b> 3628 Lm <b>light colour</b> 2700 K <b>DIM</b> DALI - push DIM / TRIAC
Ceiling lamp Wall lamp	Mood 80	Ø 80 x 16 cm weight 5 kg	<b>lamp type</b> 1 LED module 23 W <b>luminous efficacy</b> 3628 Lm <b>light colour</b> 2700 K <b>DIM</b> DALI - push DIM / TRIAC

## Pendant lamp



## Ceiling-wall lamp



## Details



Dettaglio rosone /  
Ceiling rose detail

## Finishes

Lampada in tessuto,  
diffusore in PMMA /  
Fabric lampshade,  
diffuser in PMMA

## Diffuser textiles



IP20



\* on demand  
\*\* cable on measure

# Multiball



Design by Roberto Paoli — 2013



**Scegli la tua combinazione, divertiti a creare la sequenza di sfere che illumina il tuo spazio. Con le sospensioni Multiball aggregabili in infinite composizioni, hai tutta la libertà di giocare con la luce.**

Choose your own combination and have fun creating a sequence of spheres to light up your space. This series of pendant lamps in different heights, which can be grouped together to create infinite arrangements, gives you total freedom to play with light.

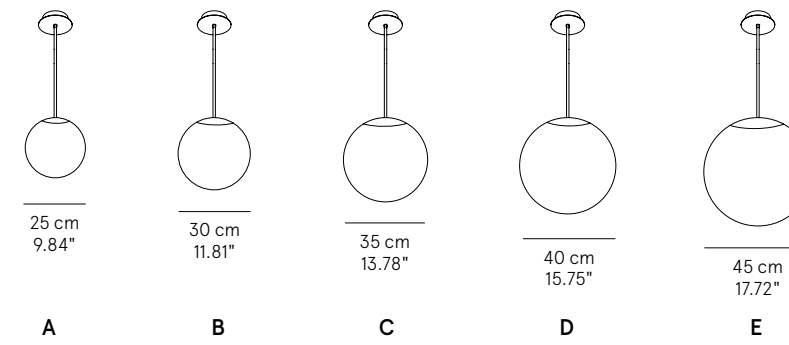


# Multiball

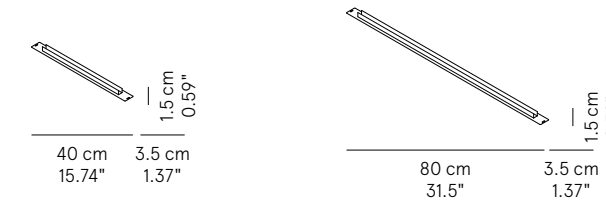


Lamp	Dimensions	Light source
Pendant lamp Globe 25	Ø 25 x 36 - 106 cm weight 1,7 kg	lamp type 1 x E27 max watt 42 W HES DIM
Globe 30	Ø 30 x 41 - 111 cm weight 1,7 kg	lamp type 1 x E27 max watt 52 W HES DIM
Globe 35	Ø 35 x 46 - 116 cm weight 1,7 kg	lamp type 1 x E27 max watt 52 W HES DIM
Globe 40	Ø 40 x 51 - 121 cm weight 2 kg	lamp type 1 x E27 max watt 70 W HES DIM
Globe 45	Ø 45 x 56 - 126 cm weight 2 kg	lamp type 1 x E27 max watt 70 W HES DIM

## Pendant lamp

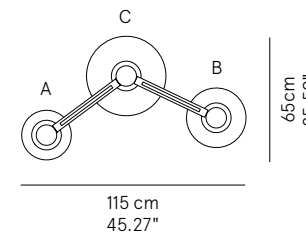


## Joint bracket

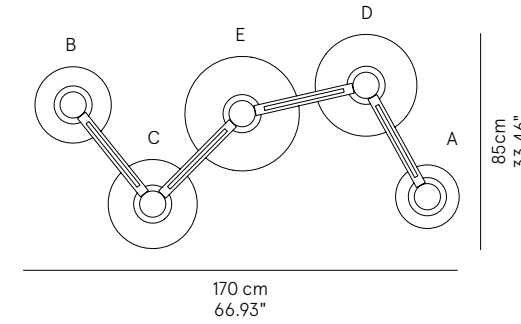


## Esempi di composizione

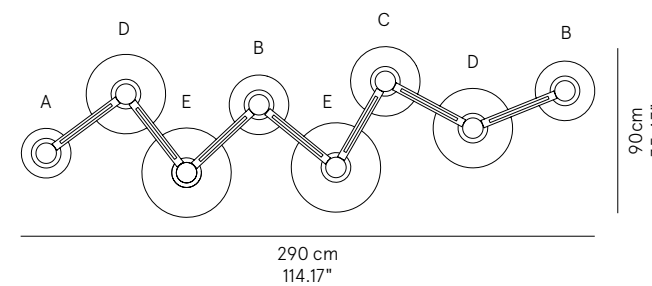
### Composition type 1



### Composition type 2



### Composition type 3



## Details



Dettaglio rosone bianco/  
White ceiling  
rose detail



Dettaglio rosone nero/  
Black ceiling  
rose detail



Dettaglio raccordo bianco/  
White joint bracket detail

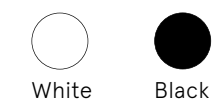


Dettaglio raccordo nero/  
Black joint bracket detail

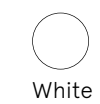
## Finishes

Struttura in metallo,  
diffusore in PMMA/  
Metal structure,  
diffuser in PMMA

## Body colours



## Diffuser colours



IP20



\* on demand



# Nucleo



Design by Bellucci Mazzoni Progetti – 2019



Un disco luminoso, come il sole, si muove dentro un percorso ellittico in veste di archetipa fonte di luce.

A bright disc glides along an elliptical course like the sun, playing the role of the archetypal light source.

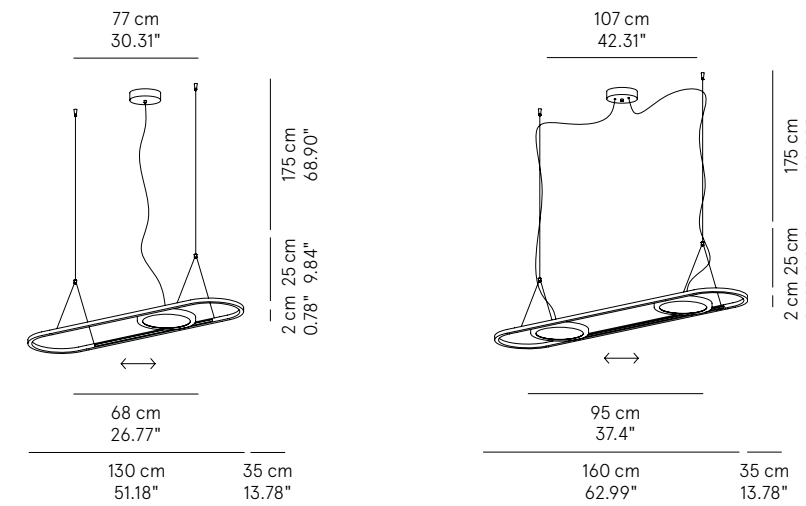
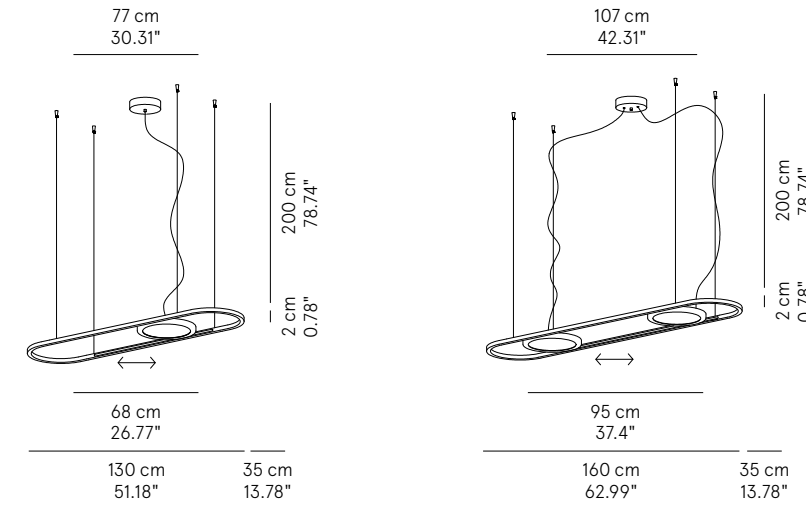






Lamp		Dimensions	Light source
Pendant lamp	Nucleo 130 direct light	Ø 130 x 35 x 2 cm weight 8 kg	<b>lamp type</b> 1 panel LED 24 W <b>luminous efficacy</b> 2150 Lm <b>light colour</b> 2800 K <b>DIM</b> DALI - push DIM / TRIAC
	Nucleo 130 double light emission	Ø 130 x 35 x 2 cm weight 8 kg	<b>lamp type</b> 1 panel led 24 W + 1 module LED 3 W <b>luminous efficacy</b> 2350 Lm <b>light colour</b> 2800 K <b>DIM</b> DALI - push DIM
	Nucleo 160 direct light	Ø 160 x 35 x 2 cm weight 12 kg	<b>lamp type</b> 2 panels LED 24 W <b>luminous efficacy</b> 4300 Lm <b>light colour</b> 2800 K <b>DIM</b> DALI - push DIM / TRIAC
	Nucleo 160 double light emission	Ø 160 x 35 x 2 cm weight 12 kg	<b>lamp type</b> 2 panels led 24 W + 2 modules LED 3 W <b>luminous efficacy</b> 4700 Lm <b>light colour</b> 2800 K <b>DIM</b> DALI - push DIM

## Pendant lamp



## Details



White Graphite Bronze White Graphite Bronze

Dettaglio rosone L130/  
Ceiling rose detail L130

Dettaglio rosone L160/  
Ceiling rose detail L160



Il diffusore LED scorre all'interno della struttura/  
LED source slides within its metal structure

Dettaglio biemissione/  
Uplight and downlight emission detail

Raccordo sospensione 1 cavo acciaio/  
Connection for suspension 1 steel cable

## Finishes

Lampada in metallo/  
Metal structure

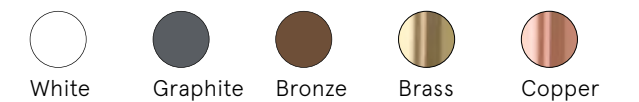
Luce diretta/  
Direct light

Biemissione\*/  
Uplight and downlight\*

## Body colours



## Diffuser colours



IP20



\* on demand  
\*\* cable on measure

# Ombrella

Design by Paolo Grasselli – 2015



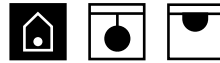
**Lo scambio di riflessi e rimbalzi tra le due superfici sovrapposte illumina lo spazio in modo indiretto con una luce diffusa e accogliente.**

The exchange of light reflecting and bouncing between the two overlapping surfaces illuminates space indirectly, creating a diffused, cosy light.



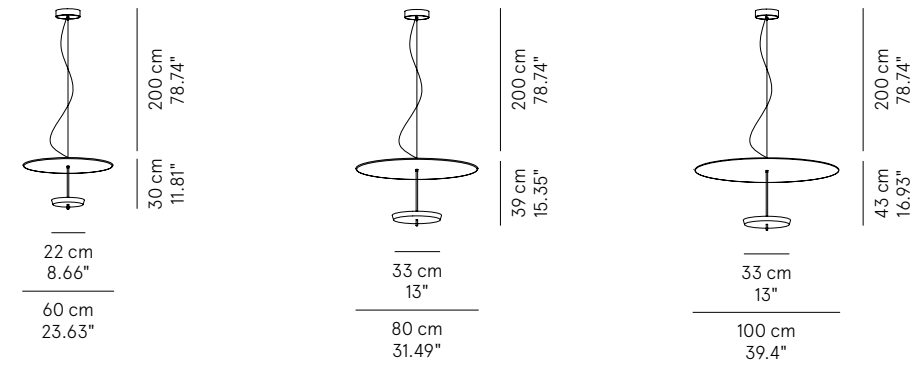


# Ombrella

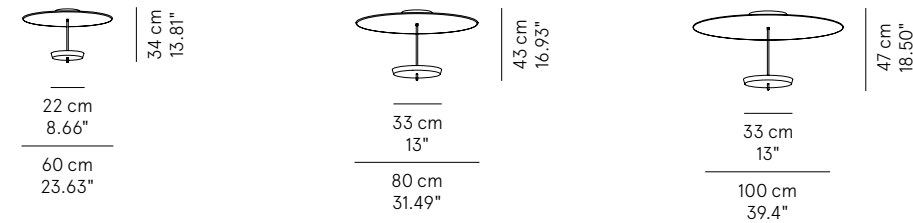


Lamp		Dimensions	Light source
Pendant lamp	Ombrella 60	Ø 60 x 30 cm weight 3 kg	<b>lamp type</b> 1 LED module 17,8 W <b>luminous efficacy</b> 3200 Lm <b>light colour</b> 3000 K <b>DIM</b> DALI - push DIM / TRIAC
	Ombrella 80	Ø 80 x 39 cm weight 6 kg	<b>lamp type</b> 1 LED module 25 W <b>luminous efficacy</b> 4425 Lm <b>light colour</b> 3000 K <b>DIM</b> DALI - push DIM / TRIAC
	Ombrella 100	Ø 100 x 43 cm weight 10 kg	<b>lamp type</b> 1 LED module 25 W <b>luminous efficacy</b> 4425 Lm <b>light colour</b> 3000 k <b>DIM</b> DALI - push DIM / TRIAC
Ceiling lamp	Ombrella 60	Ø 60 x 34 cm weight 3 kg	<b>lamp type</b> 1 LED module 17,8 W <b>luminous efficacy</b> 3200 Lm <b>light colour</b> 3000 K <b>DIM</b> DALI - push DIM / TRIAC
	Ombrella 80	Ø 80 x 43 cm weight 6 kg	<b>lamp type</b> 1 LED module 25 W <b>luminous efficacy</b> 4425 Lm <b>light colour</b> 3000 K <b>DIM</b> DALI - push DIM / TRIAC
	Ombrella 100	Ø 100 x 47 cm weight 10 kg	<b>lamp type</b> 1 LED module 25 W <b>luminous efficacy</b> 4425 Lm <b>light colour</b> 3000 K <b>DIM</b> DALI - push DIM / TRIAC

## Pendant lamp



## Ceiling lamp



## Details



Dettaglio rosone/  
Ceiling rose detail

## Focus



Versione plafoniera/  
Ceiling lamp version

## Finishes

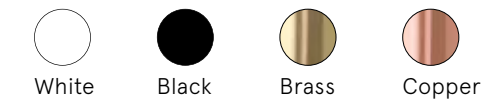
Lampada in metallo/  
Metal structure

Luce indiretta/  
Indirect light

## Upper disk colours



## Lower disk colours



IP20



\* on demand  
\*\* cable on measure

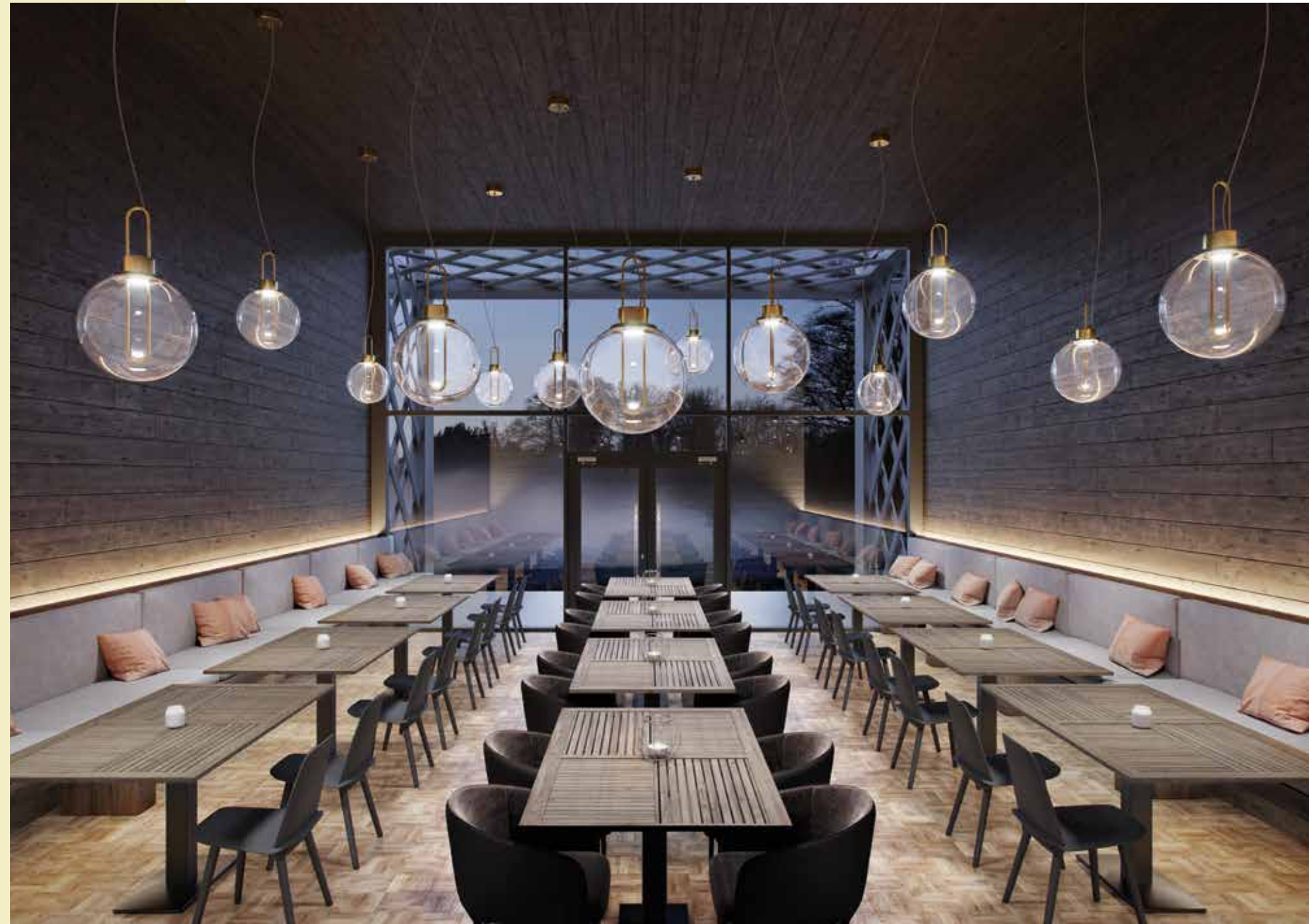
# Orb

Design by Büro Famos – 2015



**In ottica gli Orb sono globi luminescenti enigmatici e arcani. Modo Luce li ha resi icone intramontabili, enfatizzando la forma perfetta e archetipica della sfera.**

In optics an Orb is a luminescent, enigmatic, mysterious globe. By emphasising the perfect, archetypal shape of the sphere, Modo Luce has turned it into a timeless icon.





# Orb



Lamp		Dimensions	Light source
<b>Pendant lamp PMMA</b>	Orb 25 - 1 globe	Ø 25 x 41 cm weight 2 kg	<b>lamp type</b> 1 LED module 8,5 W <b>luminous efficacy</b> 1335 Lm <b>light colour</b> 3000 K <b>DIM</b> DALI - push DIM / TRIAC
	Orb 25 - 2 globes	Ø 25 x 41 cm weight 2,5 kg	<b>lamp type</b> 2 LED modules 8,5 W <b>luminous efficacy</b> 2 x 1335 Lm <b>light colour</b> 3000 K <b>DIM</b> DALI - push DIM / TRIAC
	Orb 40 - 1 globe	Ø 40 x 63 cm weight 3,5 kg	<b>lamp type</b> 1 LED module 16,2 W <b>luminous efficacy</b> 2400 Lm <b>light colour</b> 3000 K <b>DIM</b> DALI - push DIM / TRIAC
	Orb 40 - 2 globes	Ø 40 x 63 cm weight 7 kg	<b>lamp type</b> 2 LED modules 16,2 W <b>luminous efficacy</b> 2 x 2400 Lm <b>light colour</b> 3000 K <b>DIM</b> DALI - push DIM / TRIAC
<b>Pendant lamp Glass</b>	Orb 25 - 1 globe	Ø 25 x 41 cm weight 3 kg	<b>lamp type</b> 1 LED module 8,5 W <b>luminous efficacy</b> 1335 Lm <b>light colour</b> 3000 K <b>DIM</b> DALI - push DIM / TRIAC
	Orb 25 - 2 globes	Ø 25 x 200 cm weight 6 kg	<b>lamp type</b> 2 LED modules 8,5 W <b>luminous efficacy</b> 2 x 1335 Lm <b>light colour</b> 3000 K <b>DIM</b> DALI - push DIM / TRIAC
	Orb 40 - 1 globe	Ø 40 x 63 cm weight 6 kg	<b>lamp type</b> 1 LED module 16,2 W <b>luminous efficacy</b> 2400 Lm <b>light colour</b> 3000 K <b>DIM</b> DALI - push DIM / TRIAC
	Orb 40 - 2 globes	Ø 40 x 63 cm weight 12 kg	<b>lamp type</b> 2 LED modules 16,2 W <b>luminous efficacy</b> 2 x 2400 Lm <b>light colour</b> 3000 K <b>DIM</b> DALI - push DIM / TRIAC

## Details



White

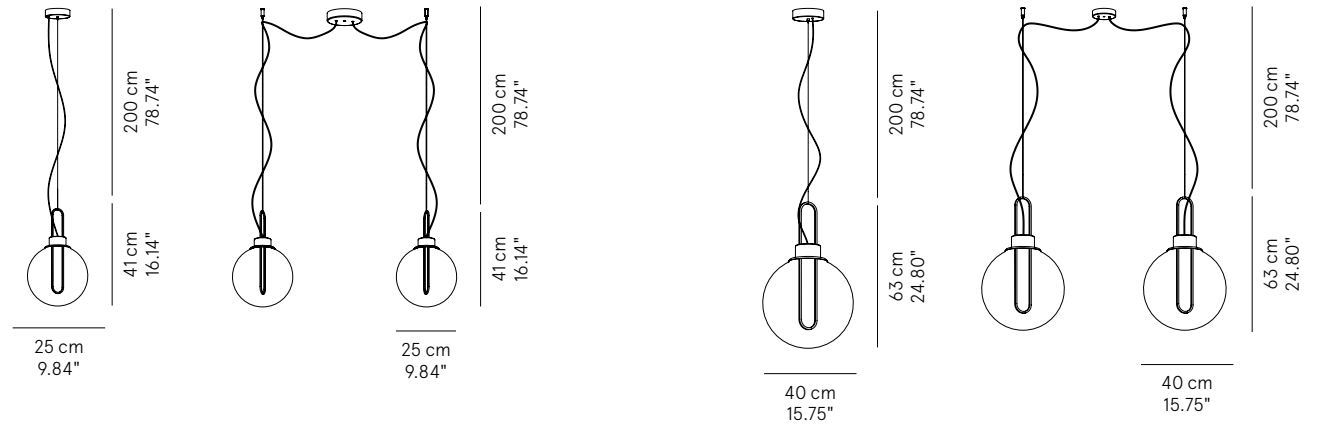
Black

Brass

Copper

Dettaglio rosone/  
Ceiling rose detail

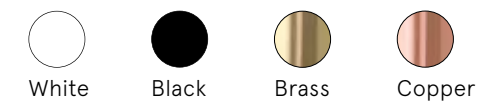
## Pendant lamp



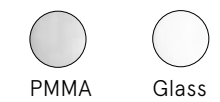
## Finishes

Struttura in metallo,  
diffusore in PMMA  
fumé o vetro trasparente/  
Metal structure, diffuser  
in PMMA fumé or blown  
transparent glass

## Body colours



## Diffuser colours



IP20



\*\* cable on measure

# Peggy

ACOUSTIC COMFORT



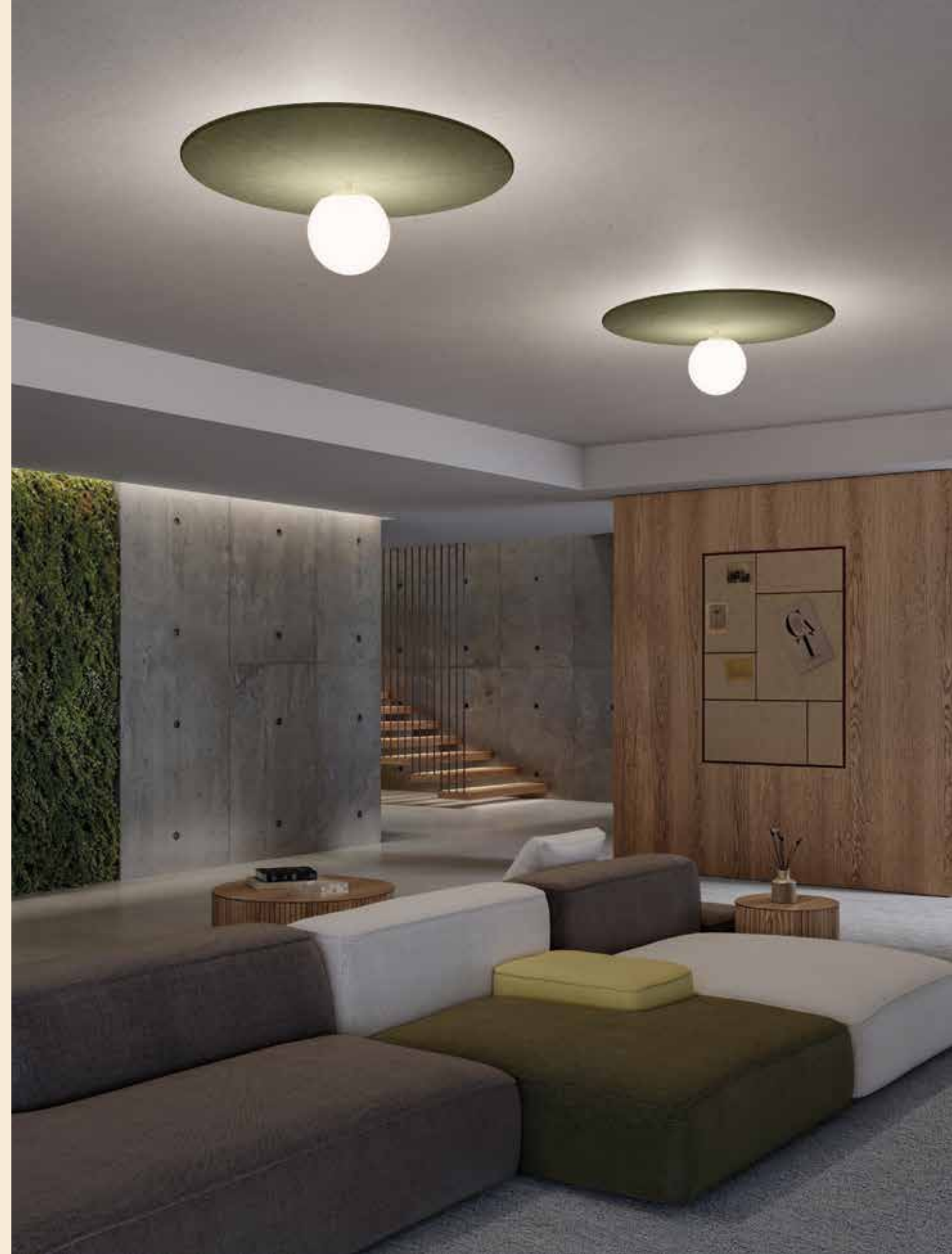
Design by Bellucci Mazzoni Progetti – 2020



**A sospensione o plafoniera, cono o globo, Peggy illumina gli spazi con la sua doppia emissione di luce.**

Available as a pendant or ceiling lamp, cone or globe diffuser, Peggy illuminates any space with its double light source.







Lamp	Dimensions	Light source
Pendant lamp Peggy 60	Ø 60 x 25 cm weight 6 kg	<b>lamp type</b> 1 x E27 + 3 x R7S <b>max watt</b> 42 W HES + 3 x 75 W R7S <b>DIM</b>
	Ø 60 x 25 cm weight 6 kg	<b>lamp type</b> 1 cob LED 15 W + linear LED modules 8 W <b>luminous efficacy</b> 3415 Lm <b>light colour</b> 2700 K <b>DIM</b> DALI - push DIM
Peggy 80	Ø 80 x 30 cm weight 8,5 kg	<b>lamp type</b> 1 x E27 + 3 x R7S <b>max watt</b> 1 x 42 W HES + 3 x 105 W R7S <b>DIM</b>
	Ø 80 x 30 cm weight 8,5 kg	<b>lamp type</b> 1 cob LED 15 W + linear LED modules 16 W <b>luminous efficacy</b> 4675 Lm <b>light colour</b> 2700 K <b>DIM</b> DALI - push DIM
Peggy 100	Ø 100 x 35 cm weight 12 kg	<b>lamp type</b> 1 x E27 + 3 x R7S <b>max watt</b> 42 W HES + 3 x 105 W R7S <b>DIM</b>
	Ø 100 x 35 cm weight 12 kg	<b>lamp type</b> 1 cob LED 15 W + linear LED modules 16 W <b>luminous efficacy</b> 4796 Lm <b>light colour</b> 2700 K <b>DIM</b> DALI - push DIM
Peggy Ball 60	Ø 60 x 26 cm weight 6 kg	<b>lamp type</b> 1 x G9 + 3 x R7S <b>max watt</b> 42 W HES + 3 x 75 W R7S <b>DIM</b>
Peggy Ball 80	Ø 80 x 36 cm weight 8,5 kg	<b>lamp type</b> 1 x E27 + 3 x R7S <b>max watt</b> 1 x 42 W HES + 3 x 105 W R7S <b>DIM</b>
Peggy Ball 100	Ø 100 x 44 cm weight 12 kg	<b>lamp type</b> 1 x E27 + 3 x R7S <b>max watt</b> 42 W HES + 3 x 105 W R7S <b>DIM</b>

Peggy Ball versione led disponibile su richiesta/  
Peggy Ball led version available on request

Details

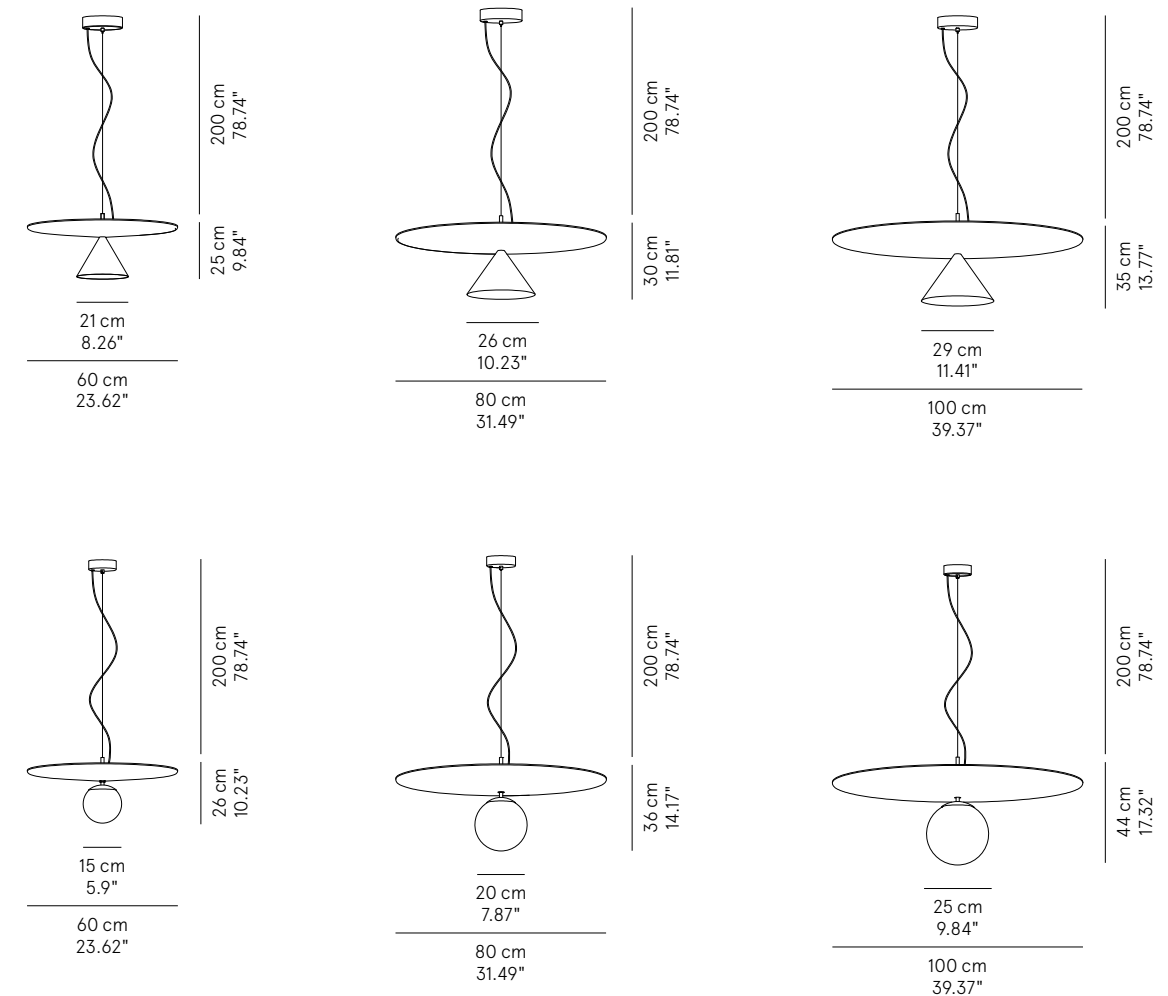


Dettaglio rosone/  
Ceiling rose detail

Kit copertura  
superiore/  
Top cover kit

Particolare emissione  
superiore Peggy  
e Peggy Ball/  
Peggy and Peggy Ball  
uplight emission detail

Pendant lamp



Finishes

Disco in metallo o tessuto lana in comfort acustico. Diffusore conico in metallo o globo in PMMA opale/ Painted metal disc or wool fabric acoustic disc. Conic diffuser in painted metal or globe diffuser in opal PMMA

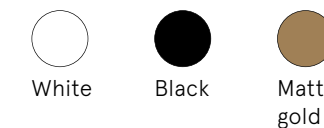
Biemissione/  
Uplight and downlight

IP20

Metal disk



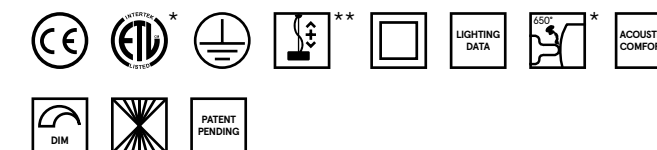
Metal conic diffuser



Textile disk



Globe diffuser



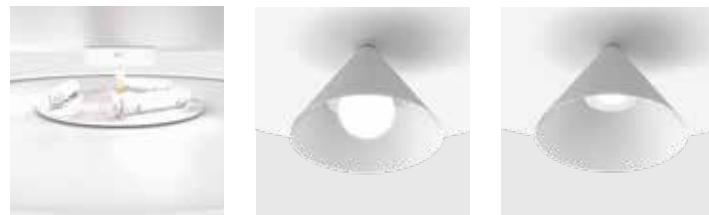
\* on demand  
\*\* cable on measure



Lamp	Dimensions	Light source
Ceiling lamp Peggy 60	Ø 60 x 26 cm weight 6 kg	<b>lamp type</b> 1 x E27 + 3 x R7S <b>max watt</b> 1 x 42 W HES + 3 x 75 W R7S <b>DIM</b>
	Ø 60 x 26 cm weight 6 kg	<b>lamp type</b> 1 cob LED 15 W + linear LED modules 8 W <b>luminous efficacy</b> 3415 Lm <b>light colour</b> 2700 K <b>DIM</b> DALI - push DIM
Peggy 80	Ø 80 x 29 cm weight 8,5 kg	<b>lamp type</b> 1 x E27 + 3 x R7S <b>max watt</b> 1 x 42 W HES + 3 x 105 W R7S <b>DIM</b>
	Ø 80 x 29 cm weight 8,5 kg	<b>lamp type</b> 1 cob LED 15 W + linear LED modules 16 W <b>luminous efficacy</b> 4675 Lm <b>light colour</b> 2700 K <b>DIM</b> DALI - push DIM
Peggy 100	Ø 100 x 32 cm weight 12 kg	<b>lamp type</b> 1 x E27 + 3 x R7S <b>max watt</b> 1 x 42 W HES + 3 x 105 W R7S <b>DIM</b>
	Ø 100 x 32 cm weight 12 kg	<b>lamp type</b> 1 cob LED 15 W + linear LED modules 16 W <b>luminous efficacy</b> 4796 Lm <b>light colour</b> 2700 K <b>DIM</b> DALI - push DIM
Peggy ball 60	Ø 60 x 27 cm weight 6 kg	<b>lamp type</b> 1 x G9 + 3 x R7S <b>max watt</b> 1 x 42 W HES + 3 x 75 W R7S <b>DIM</b>
Peggy ball 80	Ø 80 x 34 cm weight 8,5 kg	<b>lamp type</b> 1 x E27 + 3 x R7S <b>max watt</b> 1 x 42 W HES + 3 x 105 W R7S <b>DIM</b>
Peggy ball 100	Ø 100 x 40 cm weight 12 kg	<b>lamp type</b> 1 x E27 + 3 x R7S <b>max watt</b> 1 x 42 W HES + 3 x 105 W R7S <b>DIM</b>

Peggy Ball versione led disponibile su richiesta/  
Peggy Ball led version available on request

Details



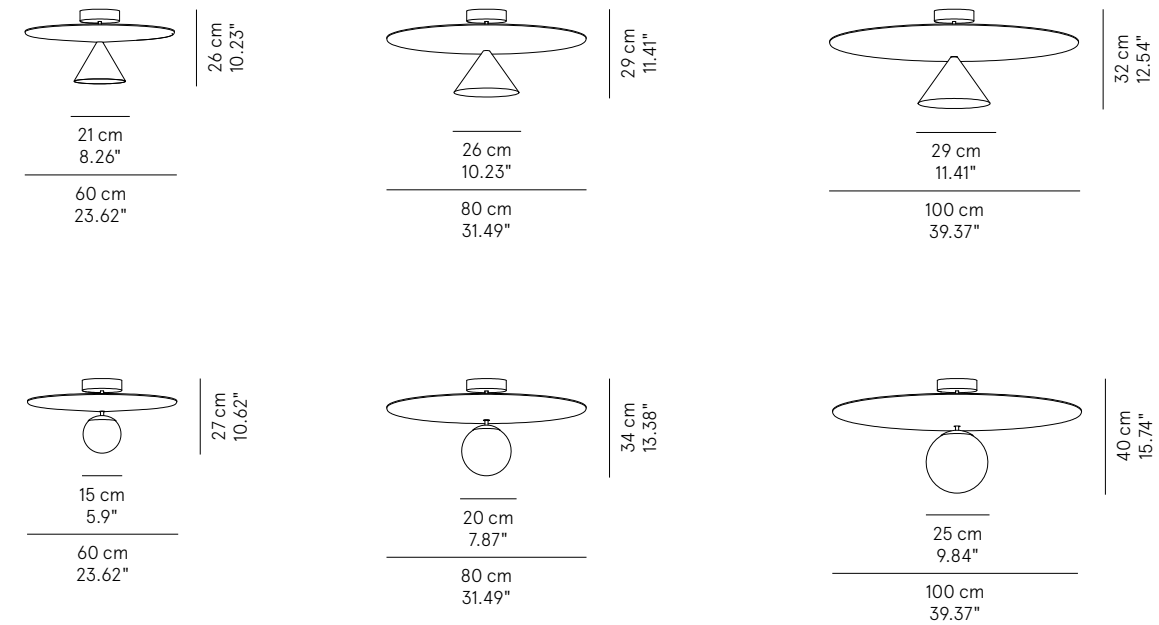
Particolare emissione superiore Peggy e Peggy Ball/  
Peggy and Peggy Ball upright emission detail

Focus



Versione plafoniera/  
Ceiling lamp version

Ceiling lamp



Finishes

Disco in metallo o tessuto lana in comfort acustico. Diffusore conico in metallo o globo in PMMA opale/ Painted metal disc or wool fabric acoustic disc. Conic diffuser in painted metal or globe diffuser in opal PMMA

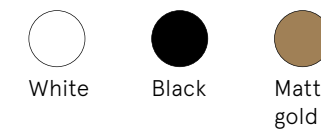
Biemissione/  
Uplight and downlight

IP20

Metal disk



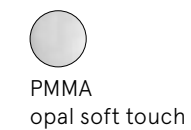
Metal conic diffuser



Textile disk



Globe diffuser



\* on demand

# Rettangolo

Design by Modo Luce R&D – 2005



**Per illuminare zone specifiche e mettere in risalto dettagli preziosi, puoi affidarti alle linee squadrate, grandi o piccole, di questa famiglia.**

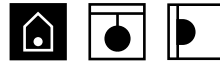
To illuminate specific areas and highlight precious details, you can rely on the straight-lined, square shapes, large and small, of this family.







# Rettangolo



Lamp		Dimensions	Light source
Pendant lamp	Rettangolo 90	90 x 22 x 30 cm weight 4 kg	<b>lamp type</b> 3 x E27 <b>max watt</b> 3 x 42 W HES <b>DIM</b>
	Rettangolo 120	120 x 22 x 30 cm weight 4,5 kg	<b>lamp type</b> 4 x E27 <b>max watt</b> 4 x 42 W HES <b>DIM</b>
	Rettangolo 150	150 x 22 x 40 cm weight 10 kg	<b>lamp type</b> 6 x E27 <b>max watt</b> 6 x 52 W HES <b>DIM</b>
	Rettangolo 300	300 x 22 x 40 cm weight 25 kg	<b>lamp type</b> 12 x E27 <b>max watt</b> 12 x 52 W HES <b>DIM</b>
Wall lamp	Rettangolo 25 x 24	25 x 13 x 24 cm weight 0,2 kg	<b>lamp type</b> 1 x E27 <b>max watt</b> 28 W HES <b>DIM</b>
	Rettangolo 40	40 x 13 x 25 cm weight 0,5 kg	<b>lamp type</b> 1 x E27 / 2 x E27 <b>max watt</b> 42 W HES / 2 x 42 W HES <b>DIM</b>
	Rettangolo 25	25 x 13 x 40 cm weight 0,5 kg	<b>lamp type</b> 1 x E27 / 2 x E27 <b>max watt</b> 42 W HES / 2 x 42 W HES <b>DIM</b>
	Rettangolo 40 x 40	40 x 13 x 40 cm weight 0,5 kg	<b>lamp type</b> 2 x E27 <b>max watt</b> 2 x 42 W HES <b>DIM</b>
	Rettangolo 30	30 x 13 x 60 cm weight 1 kg	<b>lamp type</b> 2 x E27 <b>max watt</b> 2 x 42 W HES <b>DIM</b>

## Details



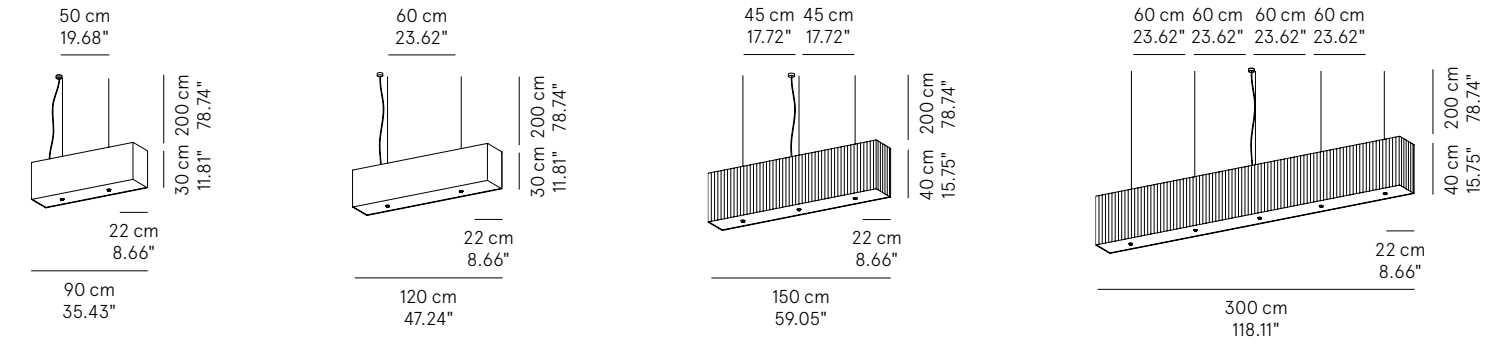
Dettaglio rosone/  
Ceiling rose detail

## Focus

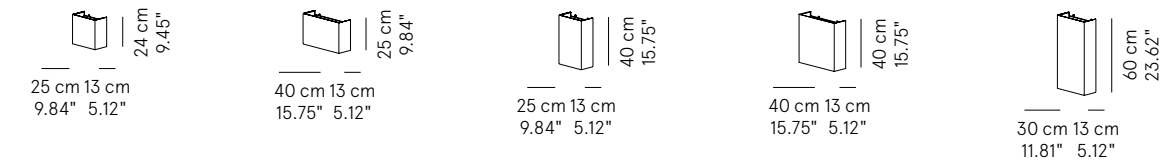


Versione parete / Wall lamp version

## Pendant lamp



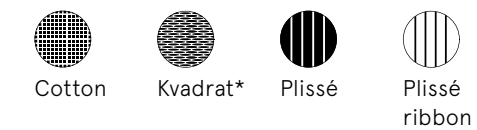
## Wall lamp



## Finishes

Lampada in tessuto/  
Fabric lampshade

## Diffuser textiles



\* on demand

## IP20



\* on demand  
\*\* cable on measure

# Reverse

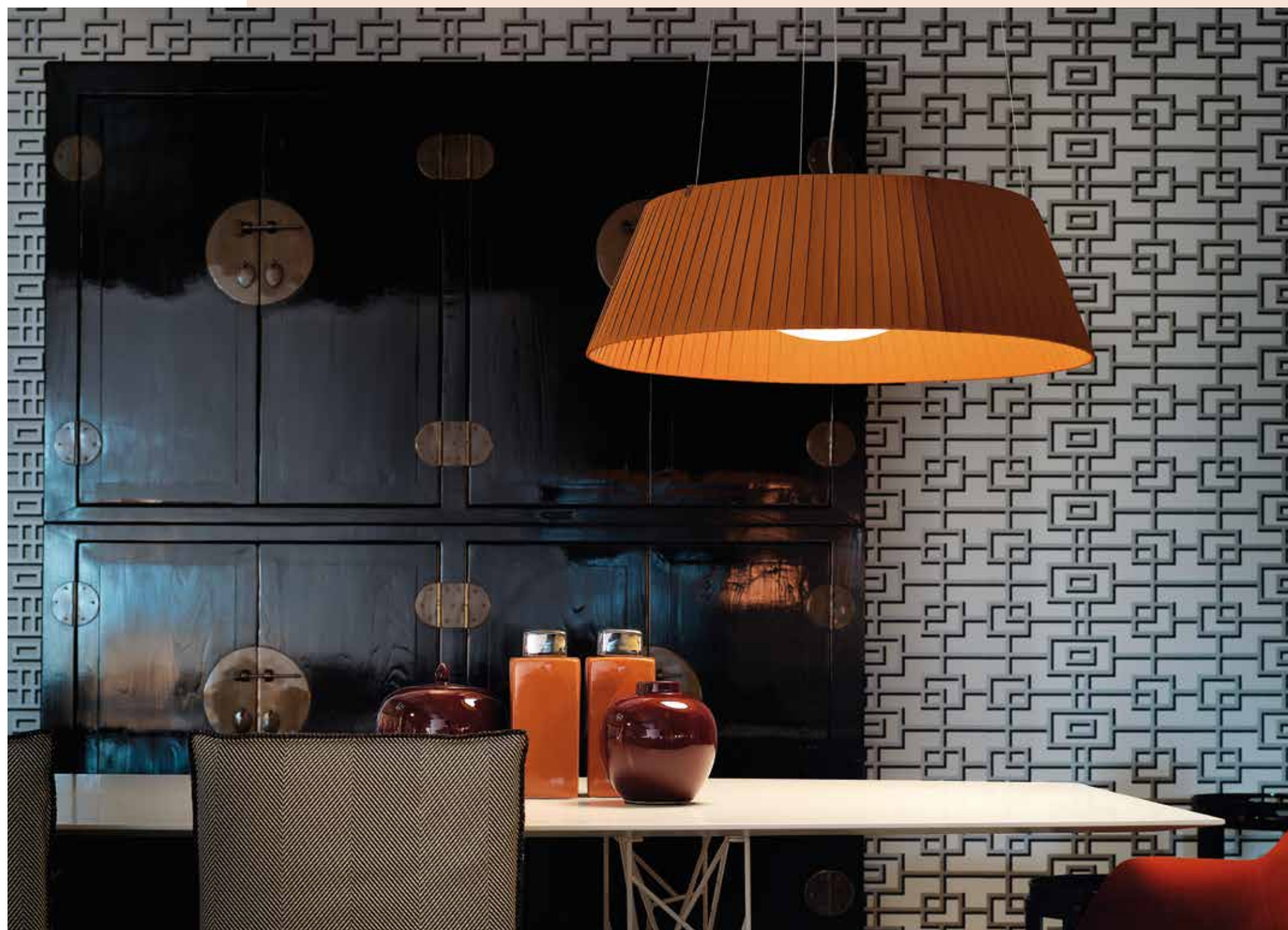
Design by Paolo Grasselli – 2013



**Classico e minimale, Reverse è l'armonia delle proporzioni.**

Classic and minimal, Reverse is harmony of proportion.





## Reverse



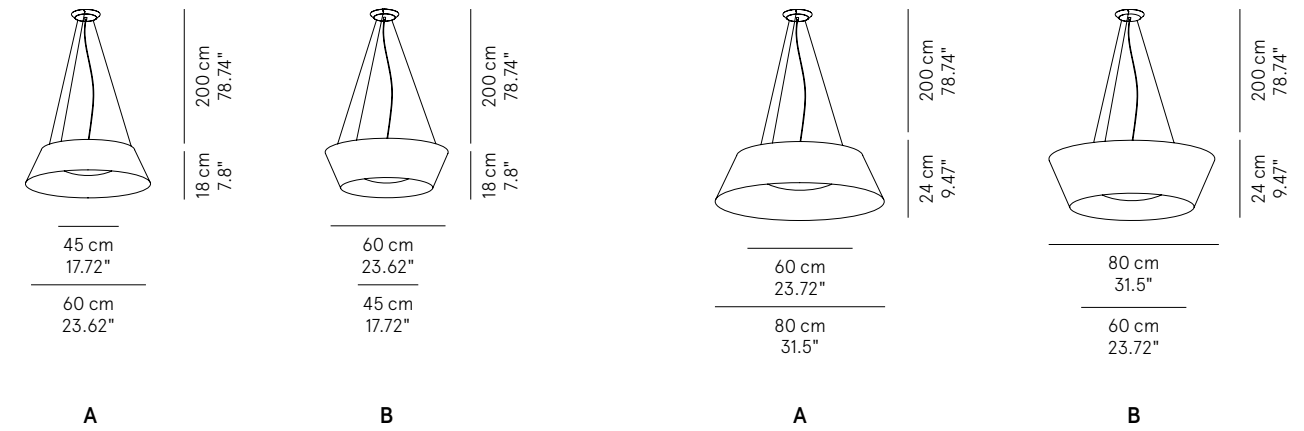
Lamp		Dimensions	Light source
Pendant lamp	Basic A 60	Ø 60 x 18 cm weight 5 kg	<b>lamp type</b> 1 LED module 18,7 W <b>luminous efficacy</b> 3000 Lm <b>light colour</b> 2700 K <b>DIM</b> DALI - push DIM / TRIAC
	Basic B 60	Ø 60 x 18 cm weight 5 kg	<b>lamp type</b> 1 LED module 18,7 W <b>luminous efficacy</b> 3000 Lm <b>light colour</b> 2700 K <b>DIM</b> DALI - push DIM / TRIAC
	Basic A 80	Ø 80 x 24 cm weight 7 kg	<b>lamp type</b> 1 LED module 23 W <b>luminous efficacy</b> 3628 Lm <b>light colour</b> 2700 K <b>DIM</b> DALI - push DIM / TRIAC
	Basic B 80	Ø 80 x 24 cm weight 7 kg	<b>lamp type</b> 1 LED module 23 W <b>luminous efficacy</b> 3628 Lm <b>light colour</b> 2700 K <b>DIM</b> DALI - push DIM / TRIAC

### Details



Ceiling rose detail/  
Dettaglio rosone

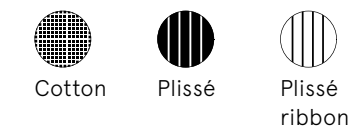
## Pendant lamp



### Finishes

Lampada in tessuto,  
diffusore in PMMA/  
Fabric lampshade,  
diffuser in PMMA/

### Diffuser textiles



IP20



\* on demand  
\*\* cable on measure

# Righello

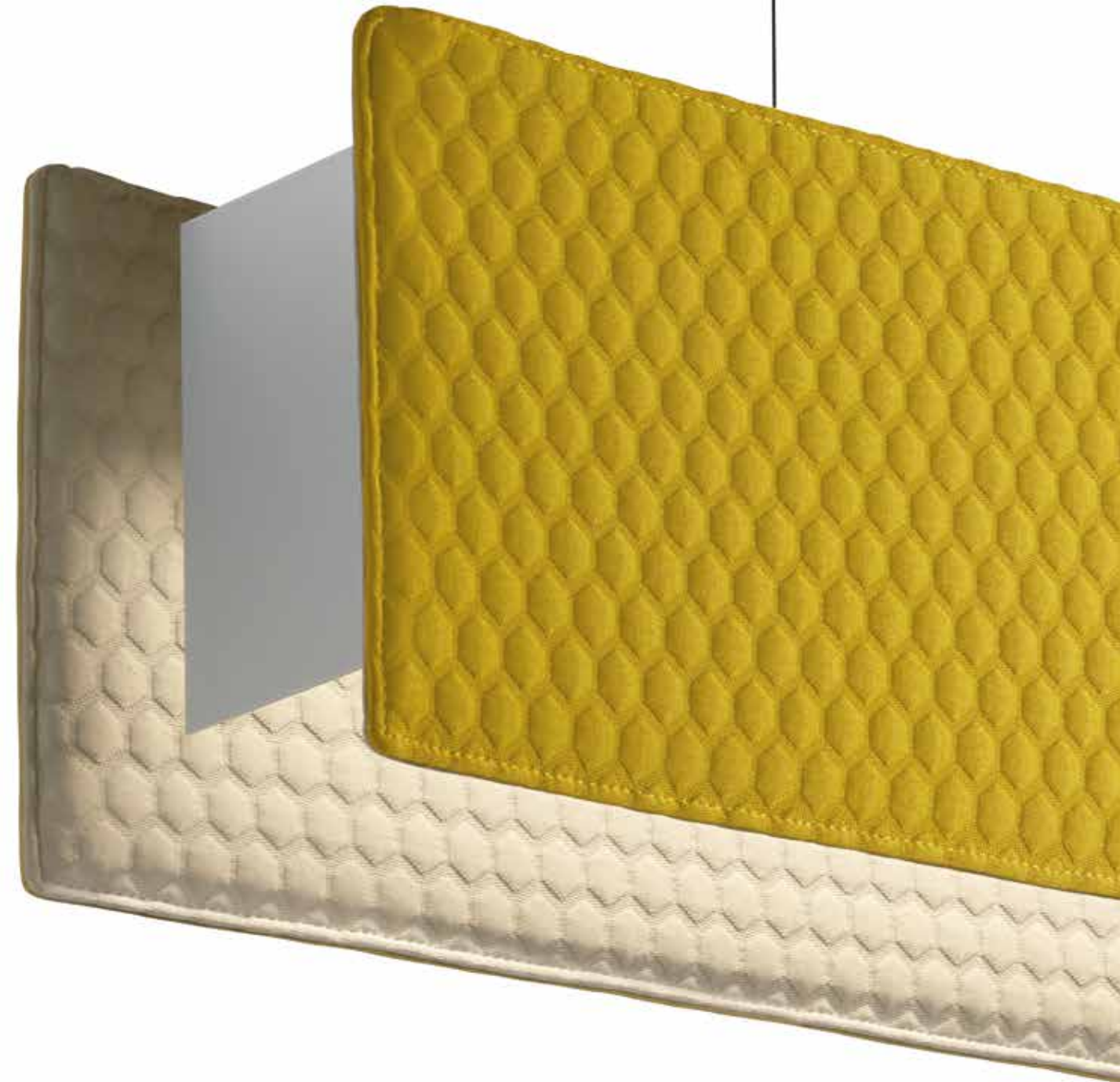
Design by Arturo Bellese – 2018

ACOUSTIC COMFORT



**Righello illumina con rigore geometrico ambienti pubblici o residenziali con attenzione al benessere acustico e luminoso dell'ambiente.**

Righello illuminates public or residential spaces with geometric rigour, while the fabric ensures acoustic and light comfort in the environment.



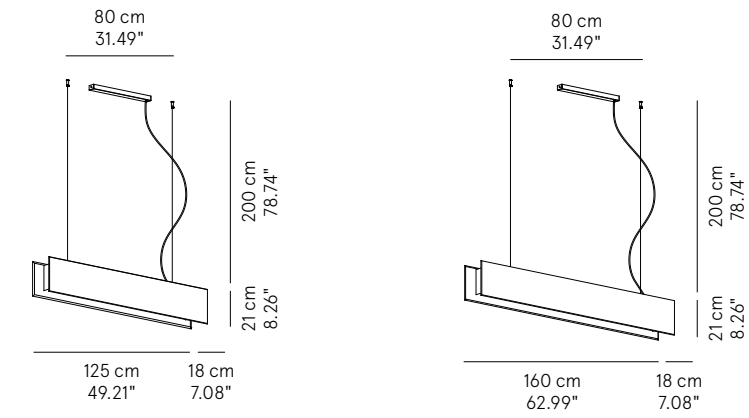


# Righello

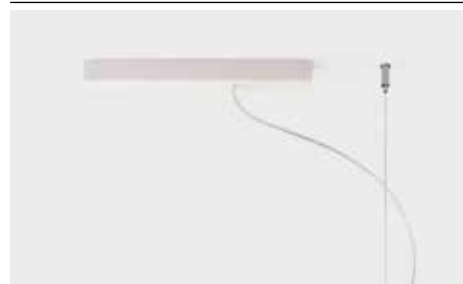


Lamp		Dimensions	Light source
Pendant lamp	Righello 125	125 x 18 x 21 cm weight 5 kg	<b>lamp type</b> linear LED modules 48 W <b>luminous efficacy</b> 8070 Lm <b>light colour</b> 3000 K <b>DIM</b> DALI - push DIM <b>uplight</b> 2690 Lm <b>downlight</b> 5380 Lm
	Righello 160	160 x 18 x 21 cm weight 8 kg	<b>lamp type</b> linear LED modules 56 W <b>luminous efficacy</b> 9410 Lm <b>light colour</b> 3000 K <b>DIM</b> DALI - push DIM <b>uplight</b> 2690 Lm <b>downlight</b> 6720 Lm

## Pendant lamp



## Details



Dettaglio rosone/  
Ceiling rose detail

## Focus



Vista laterale/  
Side view

## Finishes

Diffusore in tessuto,  
struttura in metallo/  
Fabric lampshade,  
metal structure

Bi-emissione/  
Uplight and downlight

IP20

## Body colours



Grey

## Diffuser textile



Bubble



Cubic



Wool



\* on demand  
\*\* cable on measure

# Ring

Design by Paolo Grasselli – 2014



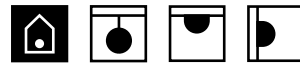
**Installa uno o più elementi della collezione Ring in lycra sfoderabile ed avrai un soffitto decorato da nuvole stilizzate con un richiamo alle geometrie tipiche degli anni '50.**

Install one or several elements from the Ring collection with their removable lycra coverings and create a ceiling decorated with stylised clouds that recall the geometric designs typical of the 1950s.



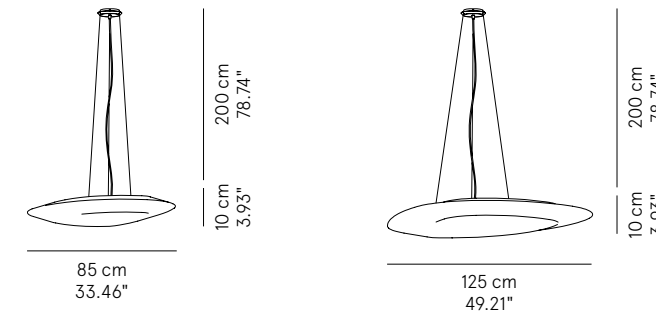


# Ring

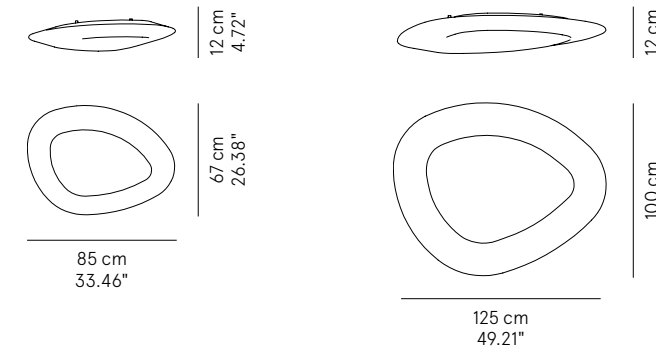


Lamp		Dimensions	Light source
Pendant lamp	Ring 85	85 x 67 x 10 cm weight 7 kg	<b>lamp type</b> 1 LED module 23 W <b>luminous efficacy</b> 3628 Lm <b>light colour</b> 2700 K <b>DIM</b> DALI - push DIM / TRIAC
	Ring 125	125 x 100 x 10 cm weight 10 kg	<b>lamp type</b> 1 LED module 88,2 W <b>luminous efficacy</b> 12380 Lm <b>light colour</b> 2700 K <b>DIM</b> DALI - push DIM
Ceiling lamp Wall lamp	Ring 85	85 x 67 x 12 cm weight 7 kg	<b>lamp type</b> 1 LED module 23 W <b>luminous efficacy</b> 3628 Lm <b>light colour</b> 2700 K <b>DIM</b> DALI - push DIM / TRIAC
	Ring 125	125 x 100 x 12 cm weight 9 kg	<b>lamp type</b> 1 LED module 88,2 W <b>luminous efficacy</b> 12380 Lm <b>light colour</b> 2700 K <b>DIM</b> DALI- push DIM

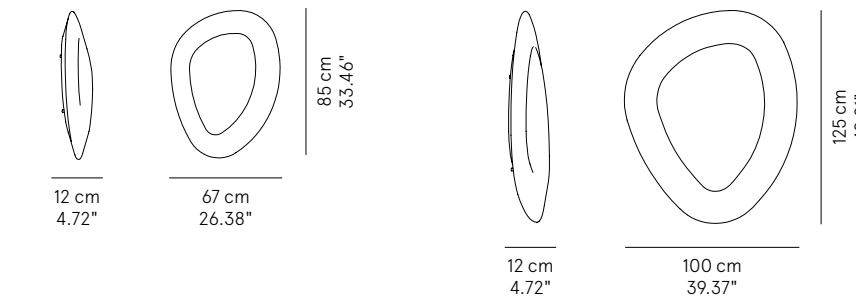
## Pendant lamp



## Ceiling lamp



## Wall lamp



## Details



Dettaglio rosone/  
Ceiling rose detail



Lycra sfoderabile  
e lavabile a 30°,  
classe M1/  
Lycra, removable  
and washable at 30°,  
class M1

## Focus



Versione plafoniera/  
Ceiling-wall lamp

## Finishes

Diffusore in tessuto,  
struttura in metallo/  
Fabric lampshade,  
metal structure

## Diffuser textiles



Lycra

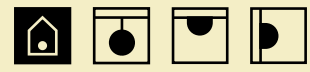
IP20



\* on demand  
\*\* cable on measure

# Ring Tonda

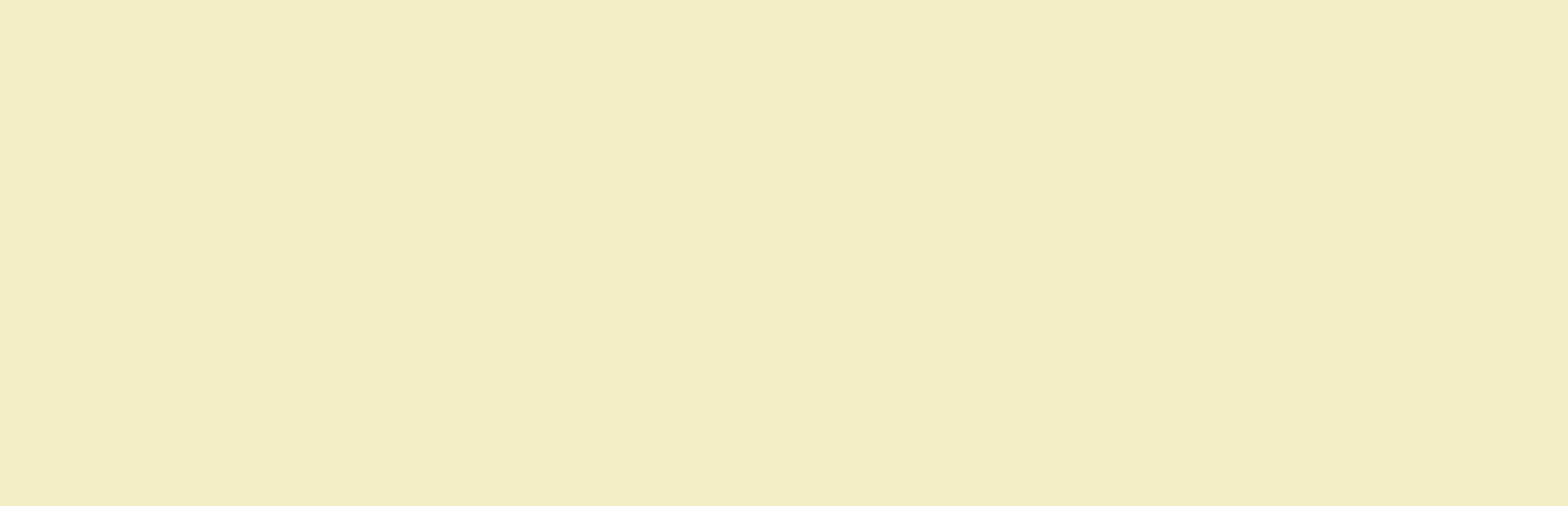
Design by Paolo Grasselli – 2014



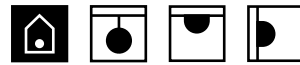
**La modernità oggi è sinonimo di bellezza, semplicità e praticità. In Ring Tonda trovi tutti questi elementi.**

Modernity today is synonymous with beauty, simplicity and practicality. In Ring Tonda you find all these elements.



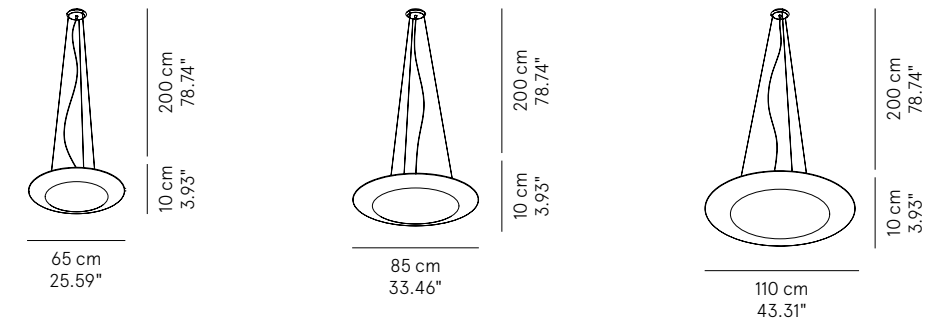


# Ring Tonda

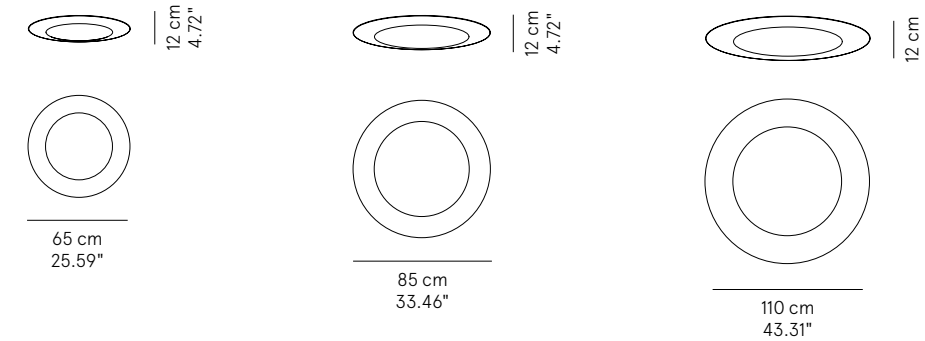


Lamp		Dimensions	Light source
Pendant lamp	Ring Tonda 65	Ø 65 x 10 cm weight 5 kg	<b>lamp type</b> 1 LED module 23 W <b>luminous efficacy</b> 3628 Lm <b>light colour</b> 2700 K <b>DIM</b> DALI - push DIM / TRIAC
	Ring Tonda 85	Ø 85 x 10 cm weight 7 kg	<b>lamp type</b> 1 LED module 57 W <b>luminous efficacy</b> 8750 Lm <b>light colour</b> 2700 K <b>DIM</b> DALI- push DIM / TRIAC
	Ring Tonda 110	Ø 110 x 10 cm weight 10 kg	<b>lamp type</b> 1 LED module 88,2 W <b>luminous efficacy</b> 12380 Lm <b>light colour</b> 2700 K <b>DIM</b> DALI- push DIM
Ceiling lamp Wall lamp	Ring Tonda 65	Ø 65 x 12 cm weight 5 kg	<b>lamp type</b> 1 LED module 23 W <b>luminous efficacy</b> 3628 Lm <b>light colour</b> 2700 K <b>DIM</b> DALI - push DIM / TRIAC
	Ring Tonda 85	Ø 85 x 12 cm weight 7 kg	<b>lamp type</b> 1 LED module 57 W <b>luminous efficacy</b> 8750 Lm <b>light colour</b> 2700 K <b>DIM</b> DALI- push DIM / TRIAC
	Ring Tonda 110	Ø 110 x 12 cm weight 10 kg	<b>lamp type</b> 1 LED module 88,2 W <b>luminous efficacy</b> 12380 Lm <b>light colour</b> 2700 K <b>DIM</b> DALI- push DIM

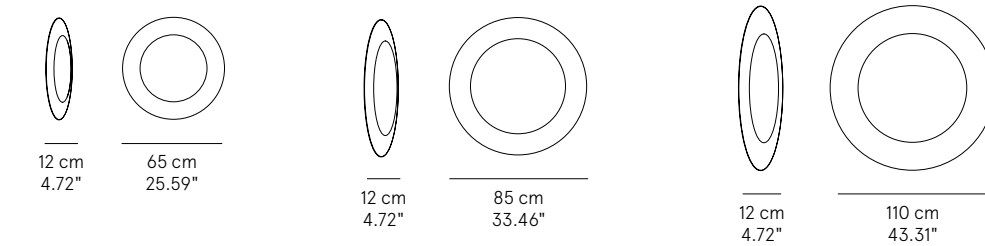
## Pendant lamp



## Ceiling lamp



## Wall lamp



## Details



Dettaglio rosone/  
Ceiling rose detail



Lycra sfoderabile  
e lavabile a 30°,  
classe M1/  
Lycra, removable  
and washable at 30°,  
class M1

## Focus



Versione plafoniera/  
Ceiling-wall lamp

## Finishes

Diffusore in tessuto,  
struttura in metallo/  
Fabric lampshade,  
metal structure

## Diffuser textiles



Lycra

IP20



\* on demand  
\*\* cable on measure

# Romeo

Design by Modo Luce R&D – 2003



**La luce è un abbraccio d'amore allo sguardo e non conosce tempo. Il mezzo con cui si diffonde deve saper valorizzare quest'idea e per farlo, richiama le linee più semplici, eppure cariche di eleganza ed armonia.**

Light lovingly embraces our gaze and knows no time. The means that diffuses the light must be able to exploit this idea using the simplest of designs, which must however ooze elegance and harmony.

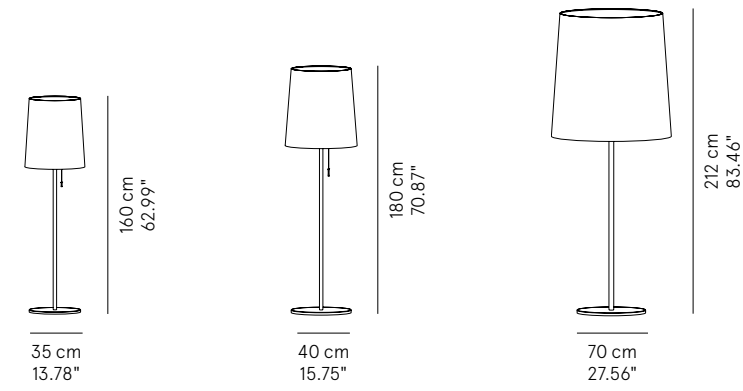


# Romeo



Lamp		Dimensions	Light source
Reading lamp	Romeo 160	Ø 35 x 160 cm	<b>lamp type</b> 1 x E27 <b>max watt</b> 70 W HES <b>DIM</b>
Floor lamp	Romeo 180	Ø 40 x 180 cm	<b>lamp type</b> 1 x E27 / 3 x E27 <b>max watt</b> 70 W HES / 3 x 70 W HES <b>DIM</b>
	Romeo 212	Ø 70 x 212 cm	<b>lamp type</b> 4 x E27 <b>max watt</b> 4 x 70 W HES <b>DIM</b>

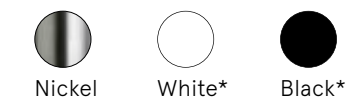
## Floor lamp



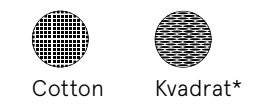
### Finishes

Diffusore in tessuto,  
struttura in metallo/  
Fabric lampshade,  
metal structure

### Body colours



### Diffuser textiles



\* on demand

### IP20



\* on demand

# About Modo Luce





## Company profile

Lavoriamo plasmando materiali innovativi con cura e sapienza artigianale per dare vita a soluzioni d'illuminazione versatili e seducenti. A casa, al lavoro, nei luoghi di svago o di relax. Diamo forma alla luce, ovunque voi vi troviate. In sinergia con le migliori aziende tessili italiane e internazionali, creiamo soluzioni raffinate con tessuti e finiture eccellenti, oltre le mode passeggero e convenzioni stilistiche.

We work by shaping innovative materials with care and artisanal skill, giving life to lighting solutions that are versatile and appealing. At home, at work, and in places of leisure and relaxation. We shape light, wherever you may be.

Working alongside the finest Italian and international textile companies, we craft refined solutions with premium fabrics and finishes, beyond fleeting trends and stylistic conventions.



Ci impegniamo a progettare secondo scelte responsabili, creando prodotti di alta qualità e funzionalità che uniscono un'estetica duratura ad un valore senza tempo.

We are committed to designing according to responsible choices, creating high-quality, functional products that combine enduring aesthetics with timeless value.



## Comfort acustico Acoustic comfort

Abbiamo a cuore la salute e il benessere delle persone in ogni momento della giornata. Spesso trascurato, l'inquinamento acustico è un fattore di disturbo che mina la serenità negli spazi di relax e la produttività nei luoghi di lavoro. Per questo abbiamo deciso di progettare forme di luce innovative e funzionali che, a una perfetta illuminazione, uniscono elevate prestazioni di fonoassorbimento.

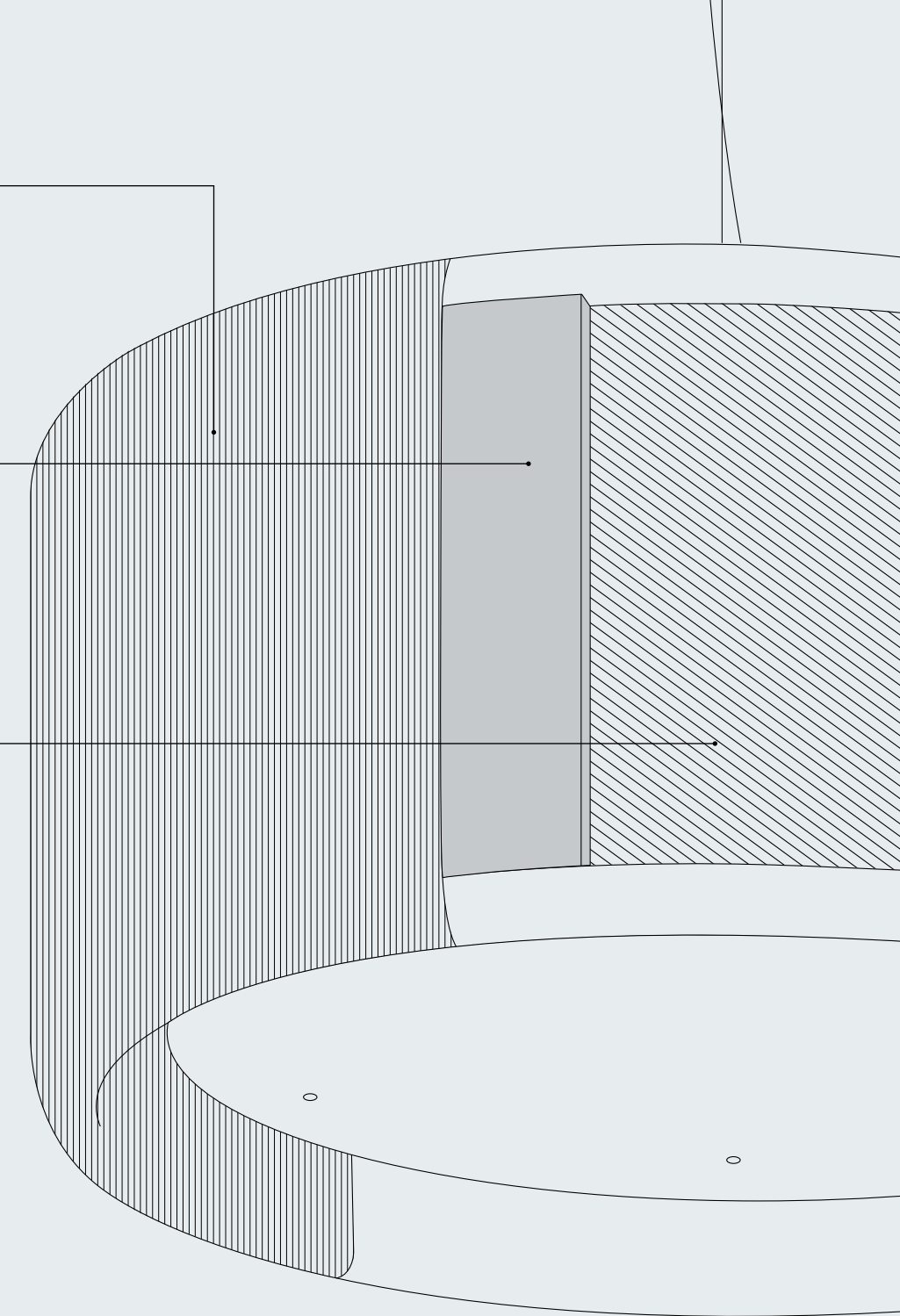
We have at heart the health and the wellbeing of the people every waking moment. Often ignored, the acoustic pollution is a disturbing factor that threatens the serenity in our leisure spaces and productivity of workers. Therefore, we have decided to project innovative and functional shapes of light, which combine to a perfect illumination high sound absorbing characteristics.



**Tessuto esterno**  
Outer fabric

**Pannello fonoassorbente**  
Sound absorbing panel

**Supporto interno**  
Internal frame support



**Tessuti scelti per le loro qualità fonoassorbenti, ideali per migliorare il comfort acustico degli ambienti.**

Fabrics selected for their sound-absorbing qualities, ideal for improving acoustic comfort in spaces.



Wool



For  
Nature



Kvadrat



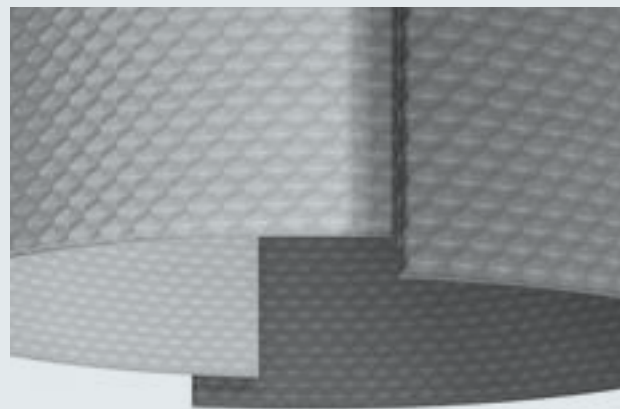
Velvet



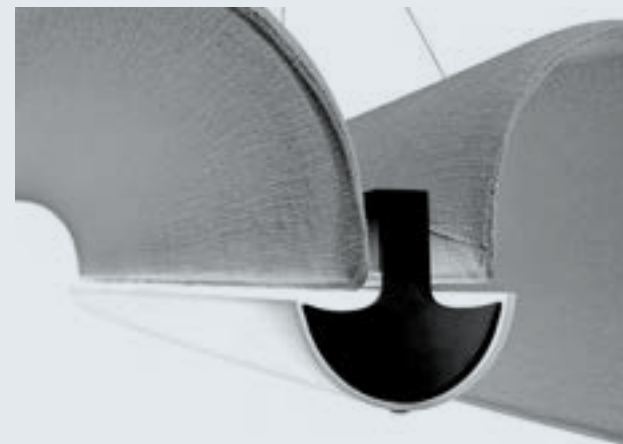
Cubic



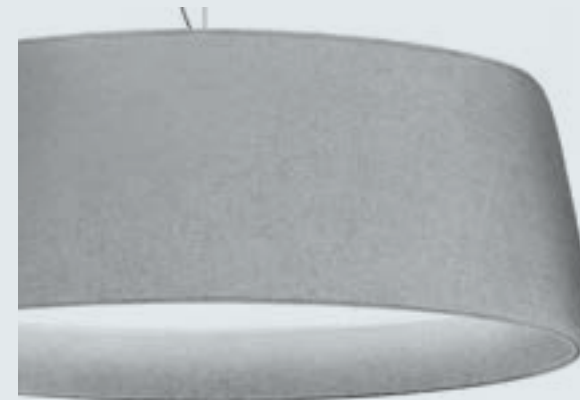
Bubble



Alco



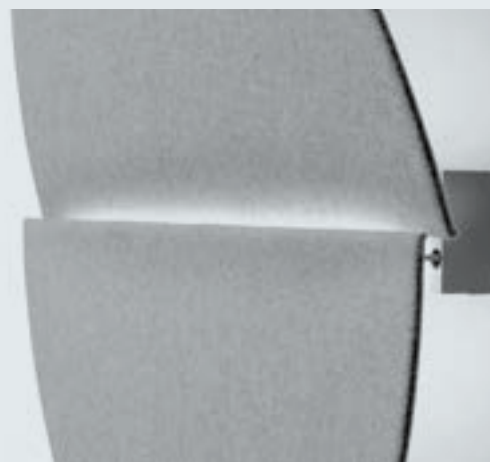
Basilica



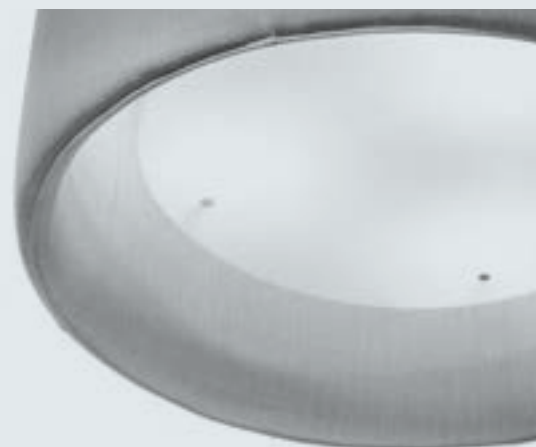
Milleluci soft



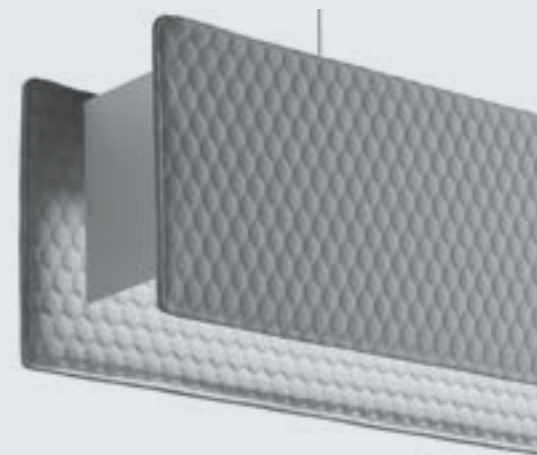
Peggy



Butterfly



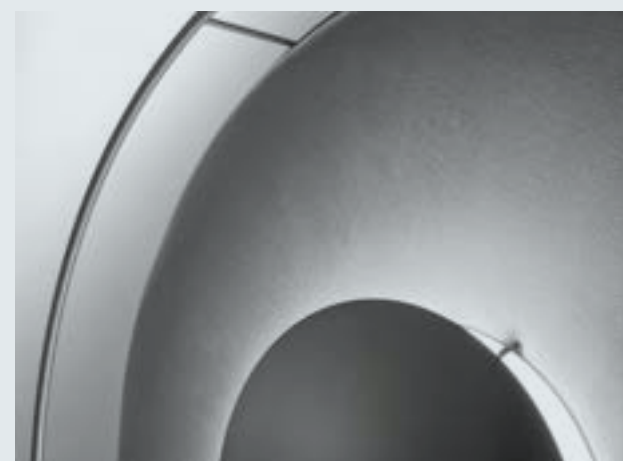
Circus



Righello



Frisé



Idea

**Caratteristiche  
tecniche**  
Technical features



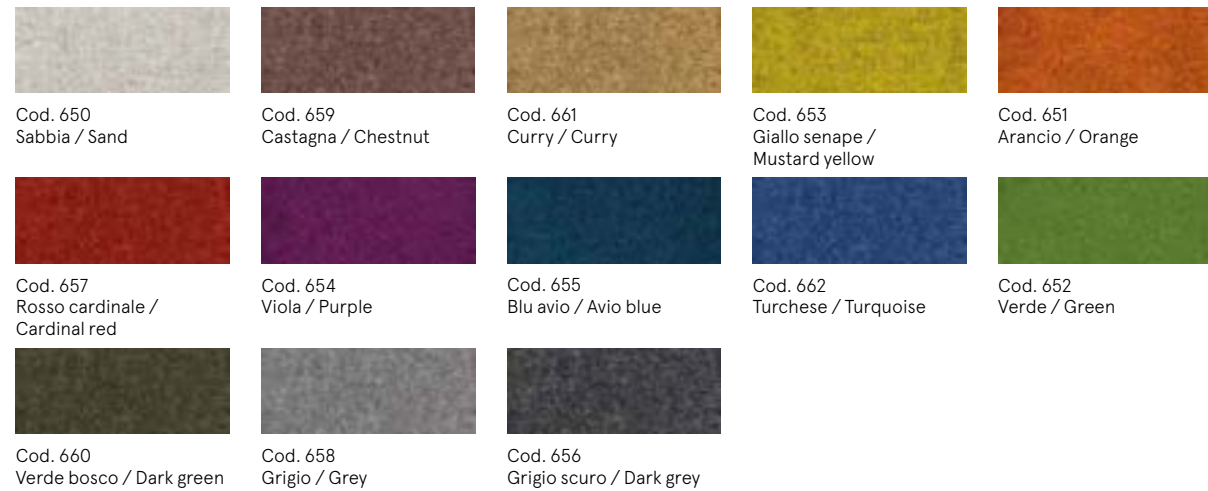
**Cotton**



**Remix  
by Kvadrat®**



**Wool**



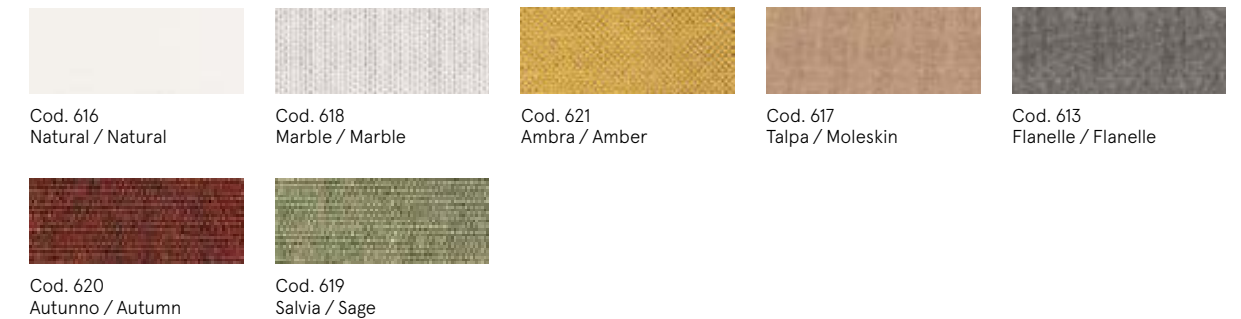
**Plissé**



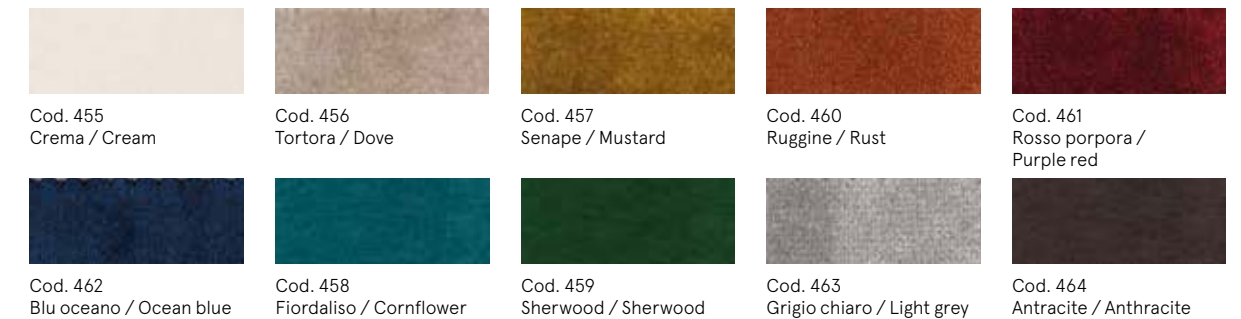
**Plissé Ribbon**



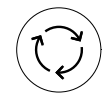
**Washable**



**Velvet**



Finiture diffusore / Diffuser finishes



For Nature  
by imNativ®



Cod. 750  
Avorio / Ivory



Cod. 755  
Nocciola / Hazelnut



Cod. 756  
Ocra / Ocher



Cod. 752  
Ruggine / Rust



Cod. 753  
Carta da zucchero /  
Sugar paper



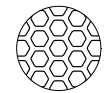
Cod. 751  
Salvia / Sage



Cod. 757  
Verde oliva / Olive green



Cod. 754  
Grigio scuro / Dark grey



Bubble  
by Fidivi®



Cod. 430  
Nocciola / Hazelnut



Cod. 431  
Giallo senape /  
Mustard yellow



Cod. 432  
Arancio / Orange



Cod. 433  
Blu / Blue



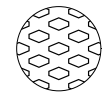
Cod. 434  
Carta da zucchero /  
Sugar paper



Cod. 435  
Verde oliva / Olive green



Cod. 436  
Antracite / Anthracite



Cubic  
by Gabriel®



Cod. 550  
Sabbia / Sand



Cod. 553  
Zafferano / Saffron



Cod. 551  
Terracotta /  
Terracotta colour



Cod. 552  
Verde oliva / Olive green



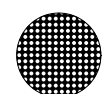
Cod. 554  
Blu oceano / Ocean blue



Cod. 555  
Grigio perla / Pearl grey



Cod. 556  
Antracite / Anthracite



Lycra



Cod. 250  
Bianco / White


































Cod. 263  
Sabbia / Sand



























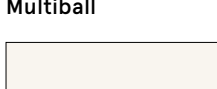

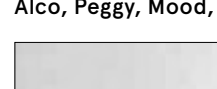
Dettagli tessuti / Fabric details

	Material composition	CL1 Flame Resistance	Resistance 650°	UV resistant	Water and stain resistant	Easy to clean
Cotton	100% Cotton	● 1, 2	●			
Remix by Kvadrat®	90% Wool 10% Nylon	●	●	●		●
Lycra	100% Polyester FR Trevira Cs	●	●	●	●	●
Pleated	100% Polyester	●	●			
Pleated ribbon	100% Polyester	● 1	● 1			
Cubic by Gabriel®	100% Polyester	●	●	●	●	●
Velvet	100% Polyester	● 1	●	●		●
Washable	100% Sunbrella® Acrylic		● 1	●	●	●
Wool	70% Wool 30% Polyamide	●	●	●		●
For Nature by imNativ®	100% Recycled Polyester 100% Biodegradable	●	●	●		●
Bubble by Fidivi®	100% Recycled Polyester	●	●	●	●	●

1 Su richiesta / On demand

2 I cotoni nei codici 300/301/302 sono disponibili a magazzino in CL1 con maggiorazione come da listino / Cotton fabrics 300/301/302 are available in stock in CL1 with an additional cost as per our price list

<b>Metal</b>	<b>Hammer</b>				
					
	Cod. 080 Bianco / White	Cod. 075 Piombo / Lead grey	Cod. 073 Oro opaco / Matt gold	Cod. 079 Mattone / Brick	Cod. 077 Blu China / Blue China
	<b>Angelica indoor/outdoor, Gregory, Multiball, Peggy metal disk</b>		<b>Gregory</b>	<b>Basilica</b>	
					
	Cod. 080 Bianco / White	Cod. 083 Nero / Black	Cod. 087 Bronze Gold	Cod. 083 Nero / Black	
	<b>Baobab, Butterfly</b>				
					
	Cod. 080 Bianco / White	Cod. 075 Piombo / Lead grey	Cod. 073 Oro opaco / Matt gold	Cod. 069 Bronzo / Bronze	
	<b>Chandelier, Chandelier Longue, Peggy conic diffuser</b>		<b>Chandelier, Chandelier Longue optional rod</b>		
					
	Cod. 080 Bianco / White	Cod. 083 Nero / Black	Cod. 073 Oro opaco / Matt gold	Cod. 098 Ottone / Brass	
	<b>Clip</b>				
					
	Cod. 080 Bianco / White	Cod. 075 Piombo / Lead grey	Cod. 073 Oro opaco / Matt gold		
	<b>Florinda Desnuda, Orb</b>				
					
	Cod. 080 Bianco / White	Cod. 083 Nero / Black	Cod. 098 Ottone / Brass	Cod. 097 Rame / Copper	
	<b>Geco</b>				
					
	Cod. 080 Bianco / White	Cod. 083 Nero / Black	Cod. 073 Oro opaco / Matt gold	Cod. 069 Bronzo / Bronze	
	<b>Icaro indoor/outdoor, Icaro Ball indoor/outdoor</b>				
					
	Cod. 080 Bianco / White	Cod. 083 Nero / Black	Cod. 069 Bronzo / Bronze		

<b>Metal</b>	<b>Idea, Hoop</b>				
					
	Cod. 080 Bianco / White	Cod. 094 Grafite / Graphite	Cod. 069 Bronzo / Bronze		
	<b>Lucilla</b>				
					
	Cod. 080 Bianco / White	Cod. 083 Nero / Black	Nickel satinato / Brushed nickel		
	<b>Nucleo</b>				
					
	Cod. 080 Bianco / White	Cod. 094 Grafite / Graphite	Cod. 069 Bronzo / Bronze	Cod. 098 Ottone / Brass	Cod. 097 Rame / Copper
	<b>Ombrella body</b>		<b>Ombrella upper disk</b>		
					
	Cod. 080 Bianco / White	Cod. 080 Bianco / White	Foglia oro / Gold leaf		
	<b>Ombrella lower disk</b>		<b>Peggy Spacer</b>		
					
	Cod. 080 Bianco / White	Cod. 083 Nero / Black	Cod. 098 Ottone / Brass	Cod. 097 Rame / Copper	Cod. 098 Ottone / Brass
	<b>Romeo</b>				
					
	Cod. 080 Bianco / White	Cod. 083 Nero / Black	Nickel satinato / Brushed nickel		
<b>Glass</b>	<b>Orb</b>		<b>Polyethylene</b>	<b>Campanone</b>	
					
	Trasparente / Transparent			Cod. 001 Bianco / White	Cod. 008 Cenere / Deep grey
					
				Cod. 010 Arancio / Orange	
<b>PMMA</b>	<b>Multiball</b>		<b>Orb</b>	<b>PMMA soft touch</b>	
					
	Bianco / White		Fumè / Fumè	Bianco / White	
	<b>Alco, Peggy, Mood, Reverse, Loto Mega</b>				



## Sorgenti luminose / Light sources

I prodotti Modo Luce equipaggiati con attacco GU10, E14 e E27 vengono consegnati senza lampadine.

Modo Luce products equipped with GU10, E14 and E27 are delivered without light bulbs.

### TEMPERATURA COLORE

Le lampade Modo Luce equipaggiate con sorgente LED vengono fornite generalmente con temperatura di colore 2700K. Sono disponibili su richiesta anche le versioni 3000K e 4000K.

### COLOR TEMPERATURE

Modo Luce LED equipped products are normally supplied with 2700K light colour as standard version. 3000K and 4000K are available on request.

### LUMEN

L'indicazione del flusso luminoso si intende all'origine e si riferisce al valore in assenza di rifrazione, come dichiarato dal produttore del componente LED.

### LUMEN

Nominal luminous flux refers to the origin and corresponds to the value without any refraction as declared by the LED module manufacture.

## Modo Luce - EELc Product List Global Energy Efficient Label compatibility (EU Regulation 874/2012)

Le informazioni qui riportate riguardanti le Classi Energetiche, non sono esaustive di tutti i tipi di lampadine effettivamente reperibili sul mercato europeo.

The below information regarding the energy efficiency classes are not including all the bulbs available on European market.

Gli apparecchi Modo Luce sono compatibili con lampadine che presentino l'etichetta energetica in conformità con il regolamento UE 874/2012.

Modo Luce fixtures are compatible with bulbs having the energy efficiency label in comply with UE 874/2012 regulation.

## Certificati / Certifications



Tutti i prodotti Modo Luce sono certificati CE  
All the Modo Luce products are CE certified



Indica la possibilità di fornire il prodotto con certificazione ETL  
Designates the possibility to have a wiring system with ETL certification

## Legenda / Legend



Indoor



Outdoor



Sospensione /  
Pendant lamp



Plafoniera /  
Ceiling lamp



Parete /  
Wall lamp



Tavolo /  
Table lamp



Terra /  
Floor lamp



Comfort acustico /  
Acoustic comfort



Indica il cablaggio elettrico CL1 /  
Designates the CL1 electric wiring



Indica il cablaggio elettrico CL2 /  
Designates the CL2 electric wiring



Indica il cablaggio elettrico CL3 /  
Designates the CL3 electric wiring



Indica che i materiali costituenti l'apparecchio superano la prova al filo incandescente alla temperatura indicata nell'icona secondo la norma IEC / Indique que les matériaux composant l'appareil passent le test au fil incandescent 650°, comme par règlement ICE 695-2-1



Dimmerabile /  
Dimmable



Cavo in acciaio ed elettrico a misura su richiesta /  
Metal and electrical wire on demand



Biemissione /  
Uplight and downlight



Curva fotometrica /  
Lighting data



Comfort acustico /  
Acoustic comfort



Modello depositato /  
Patent pending

---

## Colophon

**Art direction,  
Graphic design**  
HEADS Collective

**Photography**  
HEADS production  
Fausto Trevisan

**Digital rendering**  
Truetopia

**Styling & location**  
Stefania Dussin  
Michela Vincenzi

**Print**  
Asolana Group

## Crediti fotografici / Photo credits

**P. 27 Angelica**  
Viemme studio, Marco Gini  
e Valentina Pelizzetti  
Mariano Dallago

**P. 28 Angelica**  
Ristorante Mugolone (SI)

**P. 29 Angelica, P. 99 Clip**  
Alex Reinders

**P. 71 Chandelier**  
David Goss / Studio GOSS

**P. 79 Chandelier Longue**  
Iain Bond

**P. 89 Circus**  
Richard Gayle photography

**P. 105 Cocò**  
Juan Lax restaurant / Mce studio

**P. 135 Florinda Desnuda**  
Viati Interni (IT)

**P. 161 Geco**  
Katia Pfau

**P. 177 Hammer**  
Mary Gaudin

**P. 205 Idea**  
Solinfo (HU)

**P. 287 Ring**  
Sam Noonan

**P. 292 Ring**  
Monarchia design (PL)

---

Tutti i nostri prodotti sono realizzati completamente in Italia.

**Modo Luce S.r.l.**  
Tutti i diritti riservati.

Il logo Modo Luce è un marchio regolarmente depositato in ambito nazionale ed internazionale di esclusiva titolarità e proprietà di Modo Luce S.r.l. L'uso di tale logo per scopi commerciali, senza il precedente consenso scritto di Modo Luce S.r.l. può costituire violazione del marchio e concorrenza sleale in violazione alle leggi statali.

Il presente catalogo è tutelato dalla legge sui diritti d'autore (legge 22/41941 N. 633) e dalla legge 14/12/1942 n. 1485: di esso è proibita ogni riproduzione totale o anche parziale.

I dati riportati su questo catalogo sono indicativi e non costituiscono impegno da parte della Modo Luce Srl, che si riserva di apportare tutte le modifiche e migliorie ai propri prodotti, in osservanza della normativa CE senza obbligo di preavviso.

In particolare la costante evoluzione e i continui cambiamenti della tecnologia LED influenzano anche i nostri prodotti. Modo Luce è alla continua ricerca nell'individuare le soluzioni tecniche più aggiornate per migliorare la qualità della luce e l'efficienza energetica. Di conseguenza i dati riportati nel presente catalogo possono subire variazioni. Vi consigliamo di consultare il nostro sito internet [modoluce.com](http://modoluce.com) che sarà costantemente aggiornato con i dati tecnici.

La marcatura CE indica che il prodotto soddisfa gli obblighi di legge in merito alle Direttive Comunitarie Europee applicabili allo stesso.

I colori dei prodotti possono variare rispetto a quanto rappresentato nel catalogo e da lotto a lotto.

All products are entirely made in Italy.

Modo Luce S.r.l.  
All rights reserved.  
The logo Modo Luce is a regularly registered trademark in the national and international context and is the exclusive property of Modo Luce S.r.l. Use of said logo for commercial purposes, without the written permission of Modo Luce S.r.l., can constitute infringement of trademark and unfair competition in branch of the state laws.

This catalogue is safeguarded by the law on copyright (law 22/41941 no. 633) and by the law 14/12/1942 no. 1485: all total or even partial reproductions of the catalogue are forbidden.

Data contained in this catalogue is purely indicative and does not engage Modo Luce Srl, in any way or any form. Modo luce reserves the right to make any technical and aesthetical changes to models without prior notice, in compliance with the European standard.

The constant evolution and the continuous changes of the LED technology influence our products in a particular way. Modo Luce is always trying to identify the most up-to-date technical solutions in order to improve light quality and energy efficiency. Consequently, the datasheet shown in this catalogue may undergo variations. We advise you therefore to consult our website [modoluce.com](http://modoluce.com) provided with the regularly updated technical data.

The CE mark is your assurance that the product meets all the requirements prescribed by law, as contained in the European Community directives which apply to the products.

Product colours can differ from what is shown in the catalogue and from batch to batch.

